



Acclaim Lighting

1500 Cherokee Parkway, Suite 100, Acworth, GA 30102
TEL: (866)845-5451 • FAX: (866) 816-6165
E: service@acclaim-lighting.com • www.acclaim-lighting.com

Hanging Exterior Fixture Installation and Wiring Instructions



WARNING: To avoid electrical shock. Do not attempt to install the fixture in wet or rainy conditions. Always turn off electrical power at the circuit breaker or by disconnecting the fuse. Only use bulbs in compliance with manufactures specifications.
DO NOT ATTEMPT TO EXCEED MAXIMUM WATTAGE RATING.

TOOLS AND MATERIALS REQUIRED

Blade and or Phillips Head screw driver
Step Ladder (if needed)
Wiring supplires as required by electrical code:
Wire connectors
Electrical tape

UNPACK THE FIXTURE

Check the contents of the box. You should receive:
Outdoor fixture
Mounting Hardware package.

CAUTION

WARNING: Risk of fire.

Before installing your lighting fixture, thoroughly review the section titled **WIRING CONNECTIONS**.

If you do not have sufficient electrical wiring experience, please refer to a do-it-yourself wiring handbook or have your fixture installed by a qualified licensed electrician.

All electrical connections must be in accordance with local and National Electrical Code (NEC) standards.

If you are unfamiliar with proper electrical wiring connections obtain the services of a qualified electrician.

GENERAL

Remove the fixture and the mounting hardware package from the box and make sure that no parts are missing by referencing the illustrations on the installation instructions.

To ensure success of the installation, read these instructions and review the diagrams thoroughly.

Save these instruction for future reference.

This fixture is intended to be mounted to a 4" x 4" x 2-1/8" deep metal outlet box.

The building structure must directly support the outlet box.

Before starting the installation, disconnect the power by turning off the circuit breaker or by removing the fuse at the fuse box. Turning the power off using the light switch is not sufficient to prevent electrical shock.

WIRING CONNECTIONS

Required supply circuit: 120V, 60Hz.

Connect the white wire from the fixture to the white wire of the supply circuit.

Connect the black wire from the fixture to the black wire of the supply circuit.

Connect the green (or bare copper) colored wire to the grounding conductor of the supply circuit.

Use U.L./CSA listed wire connectors suitable for the size, type, and number of conductors.

No loose strands or loose connections should be present. Secure wire connectors with U.L./CSA listed electrical tape.

assembly instructions

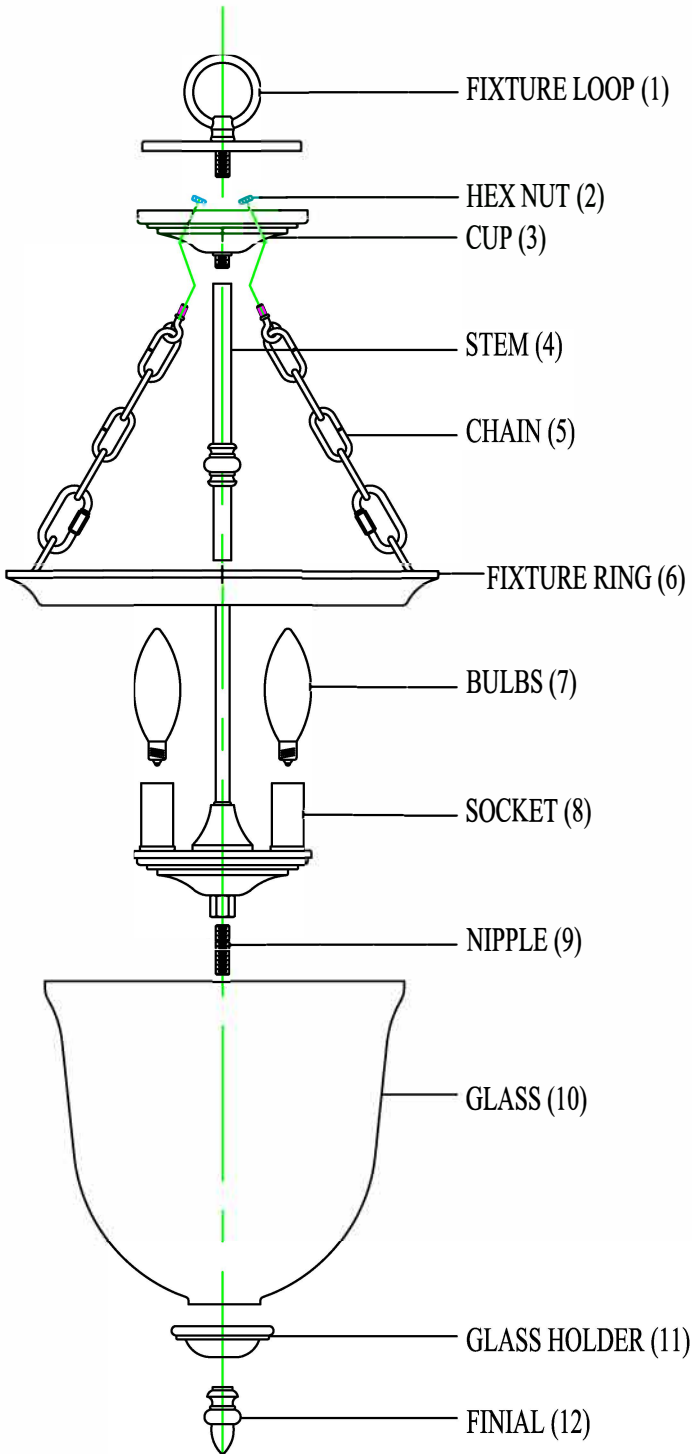
Item No.: 9306/9316



1500 Cherokee Parkway, Suite 100, Acworth, GA 30102
P: 866-845-5451 • F: 866-816-6165
E: service@acclaim-lighting.com • www.acclaim-lighting.com



Start here



- 1.Screw The Stem(4) Into The Nipple In Fixture Ring(6).
- 2.Screw The Cup(3) Into Stem(4).
- 3.Use Hex Nut(2) To Fix The Chain(5) Through The Hole In Cup(3)
- 4.Screw The Fixture Loop(1) Into Cup(3).
- 5.Before Installing The Glass,Install The Cand Cover(8) And BULBS(7)To Make The Fixture Be Lamped.
- 6.Slips Glass(10) Over Nipple(9) And Hold In Place.
- 7.Move The Glass Holder(11) Into Nipple And Hold In Place.
- 8.Tigheen The Glass Holder(11) Onto Nipple(9). By Using The Finial(12)

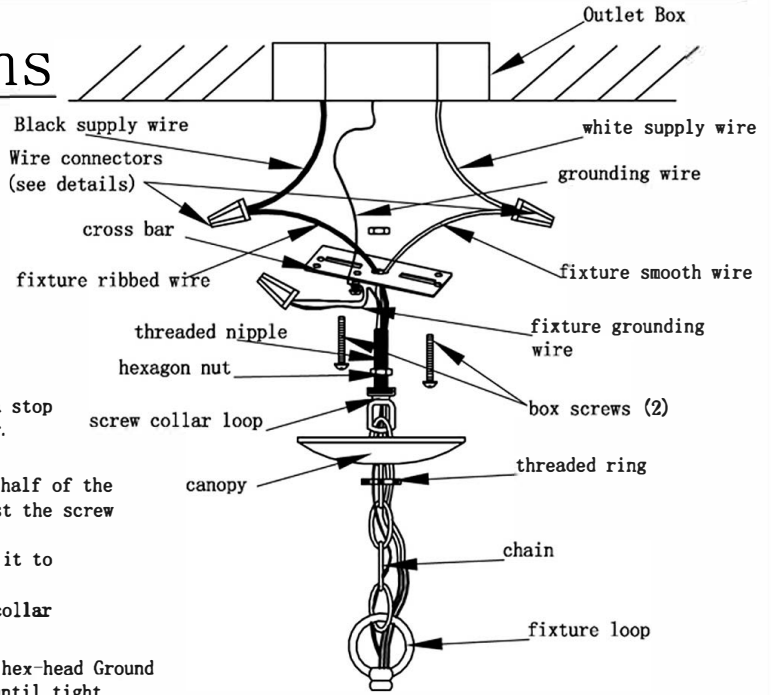
Note:Maximum wattage for 9306 9316 fixture is 60 watts per bulb.
Bulbs NOT INCLUDED.

wiring instructions

WARNING:DISCONNECT POWER AT THE MAIN ELECTRICAL PANEL BEFORE INSTALLATION.

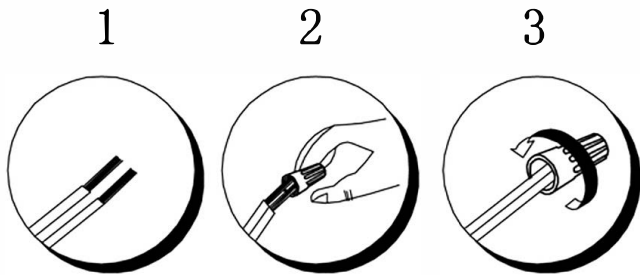
If you are replacing an existing fixture remove. Remove and disconnect the old fixture.

1. Expose the supply wires from the outlet box.
2. Position supply wires with the white supply wire on one side of the outlet box, and the black supply wire on the other side.
3. Attach crossbar to outlet box by allowing the box screws to pass through the slots in the crossbar.
4. Screw the threaded nipple into crossbar using hex nut as a stop to keep the threaded nipple from threading to crossbar to far.
5. Screws the screw collar loop on to the threaded nipple.
6. Pass the canopy over the screw collar loop. Approximately half of the screw collar loop exterior threading should be exposed. Adjust the screw collar loop and hex nut as required. Remove the canopy.
7. Using a pair of pliers, open end link of chain and attach it to fixture loop. Close link completely.
8. Fixture wires and ground wire up chain through the screw collar loop and through the threaded nipple into the outlet box.
9. Connect outlet box ground wire to the crossbar with Green hex-head Ground screw by screwing into tapped hole in crossbar marked "GND" until tight.
10. Connect the fixture ground wire to the outlet box ground wire using wire connector. (not provided)
11. Connect the ribbed wire (negative wire) to the white supply wire from the outlet box using wire connector.
12. Connect the smooth wire (positive wire) to the Black supply wire from the outlet box using wire connector.
13. After all connections are secure. Carefully tuck wires into the electrical outlet box. No loose strands or loose connections should be present. secure in place by tightening threaded ring on to the screw collar loop





NOTE:Reference chart for correct connection procedures, and wire accordingly.

Detail 1, 2, 3 show the proper procedure to secure wires with wire connectors.



Fixture mounting instructions

1. After all connections are secure. Carefully tuck wires into the electrical outlet box. No loose strands or loose connections should be present.
2. Place the canopy over the outlet box and secure it in place by tightening threaded ring on to the screw collar loop.
3. Installation is now complete. Restore electricity and check the operation of your lighting fixture.

Connect black or red house wire to:	Connect white house wire to:	White, marked or ridged fixture wire
Black	White	
Parallel cord-SPT IorII (round & smooth)	Parallel cord-SPT IorII (square & ridged)	White supply wire
Clear, Brown, Gold or Black (whitout tracer)	Clear, Brown, Gold or Black (whit tracer)	Black, unmarked or smooth fixture wire
Insulated wire (Other than GREEN)with copper conductor	Insulated wire (Other than GREEN)with silver conductor	 Black or red supply wire