



Assembly & Installation Instructions


CAUTION: Read instructions carefully and turn electricity off at main circuit breaker panel before beginning installation.

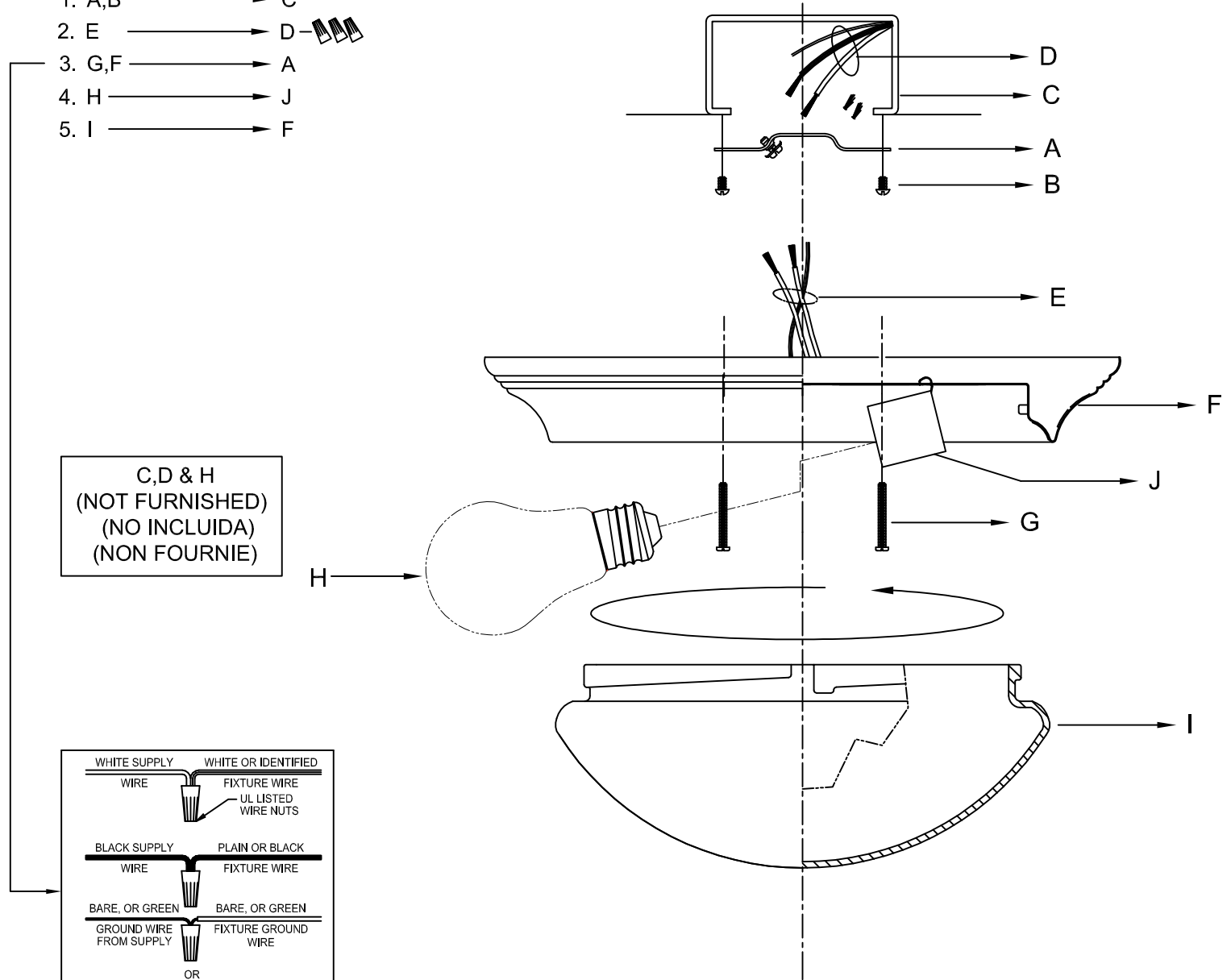
3688.3689.3697

WARNING - If any Special Control Devices are used with this Fixture, Follow the Instructions Carefully to assure full compliance with N.E.C. requirements. If there are any questions, contact a Qualified Electrical Contractor.

CAUTION - All glass is fragile, use care when handling Glass component(s) and or Lamp(s).

ASSEMBLY STEPS:
PASOS PARA ENSAMBLAR:
MODE D'ASSEMBLAGE:

1. A,B → C
2. E → D 
3. G,F → A
4. H → J
5. I → F



C, D & H
(NOT FURNISHED)
(NO INCLUIDA)
(NON FOURNIE)

