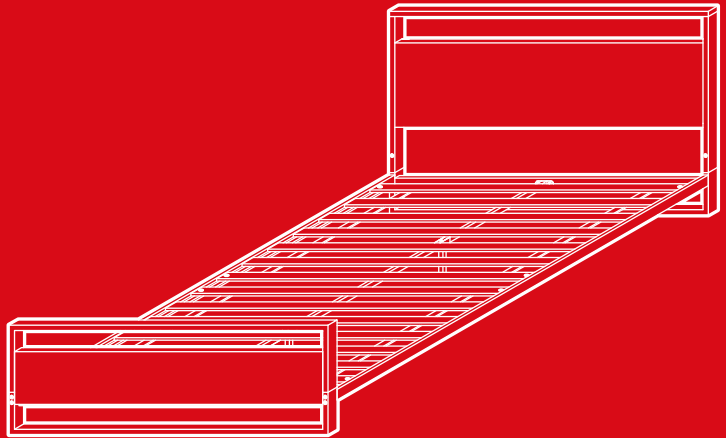




bestchoiceproducts



INSTRUCTION MANUAL

Metal Bed Frame Queen



bestchoiceproducts

As shoppers, we're always trying to find the perfect balance between quality & value. At BCP, we believe we've achieved that. Our diverse catalog of everyday essentials is tailored especially to our customers & guaranteed to hit that sweet spot of high quality & low price.

— Always. —

! NOTICE

Please retain these instructions for future reference.

- Do not stand on or use any part of this product as a step ladder.
- Firmly secure all bolts, screws and knobs before use.
- Reconfirm that all bolts, screws, and knobs are secure every 90 days.
- Be aware that some parts are heavy and have sharp edges.
- If any parts are missing, broken, damaged, or worn, stop using this product until repairs are made and/or factory replacement parts are installed.
- Do not use this item in a way inconsistent with the manufacturer's instructions as this could void the product warranty.

TOOLS REQUIRED



ALLEN WRENCH
(PROVIDED)



WRENCH
(PROVIDED)



660 LBS
CAPACITY



1 PERSON
ASSEMBLY



UP TO 45 MIN.
ASSEMBLY

HARDWARE

1

M6 X 65mm
SCREW



8 PCS

2

M6 X 40mm
SCREW



10 PCS

3

M6 X 35mm
SCREW



2 PCS

4

M6 X 20mm
SCREW



14 PCS

5

M6 X 15mm
SCREW



6 PCS

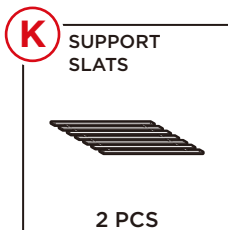
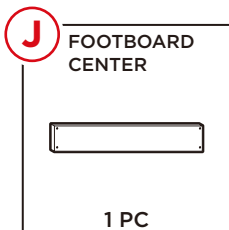
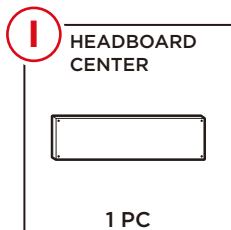
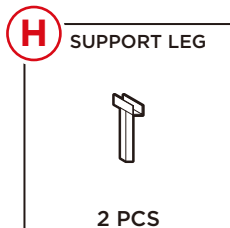
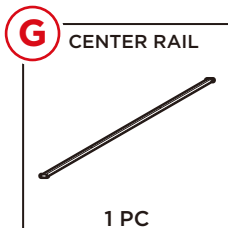
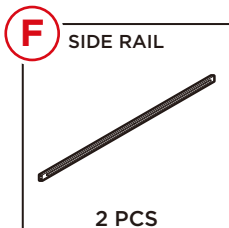
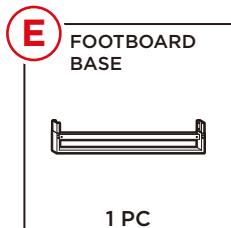
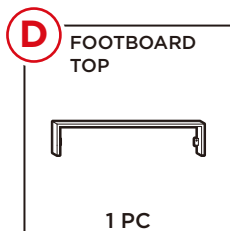
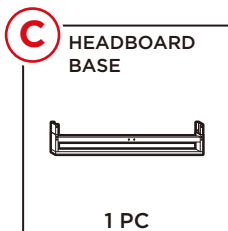
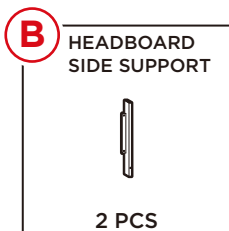
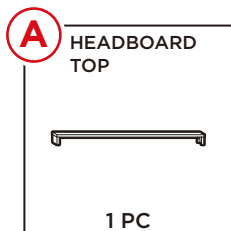
6

M6 HEX NUT



8 PCS

PARTS



PRODUCT ASSEMBLY

1

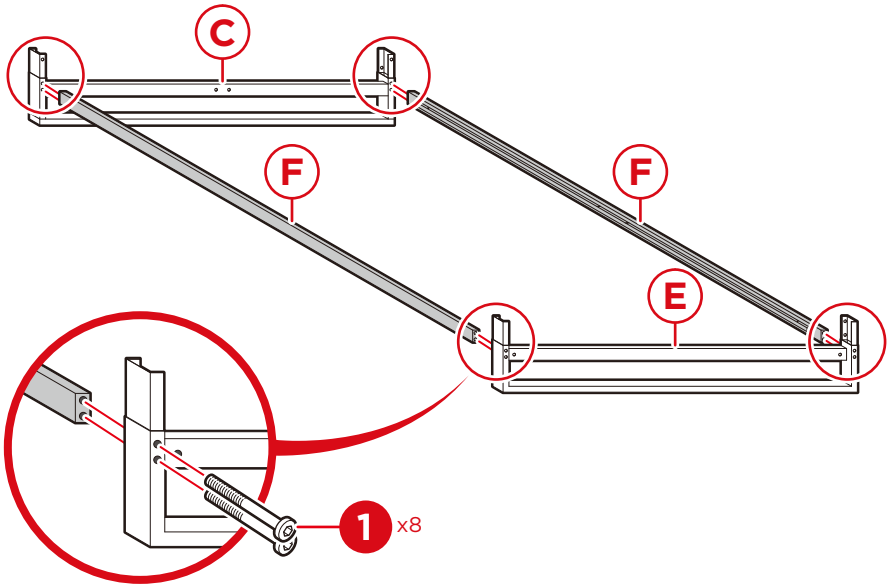
Locate and separate the part A & D headboard and footboard tops and set aside for later assembly.



PRODUCT ASSEMBLY

2

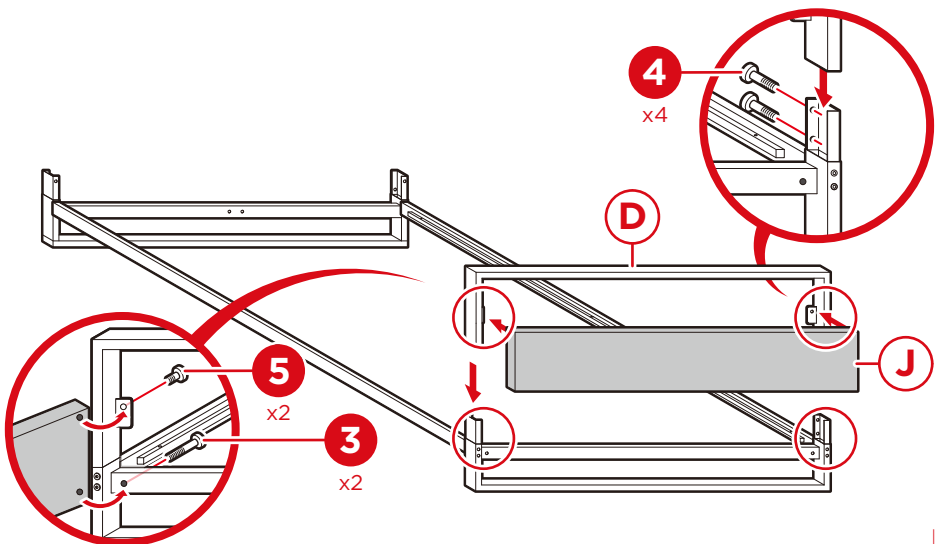
Attach two part F side rails to the part C headboard base with four part 1 screws.
Attach the part E footboard base to the two part F side rails with four part 1 screws.



3

Locate the part J footboard center and attach it to the part D footboard top with two part 5 screws.

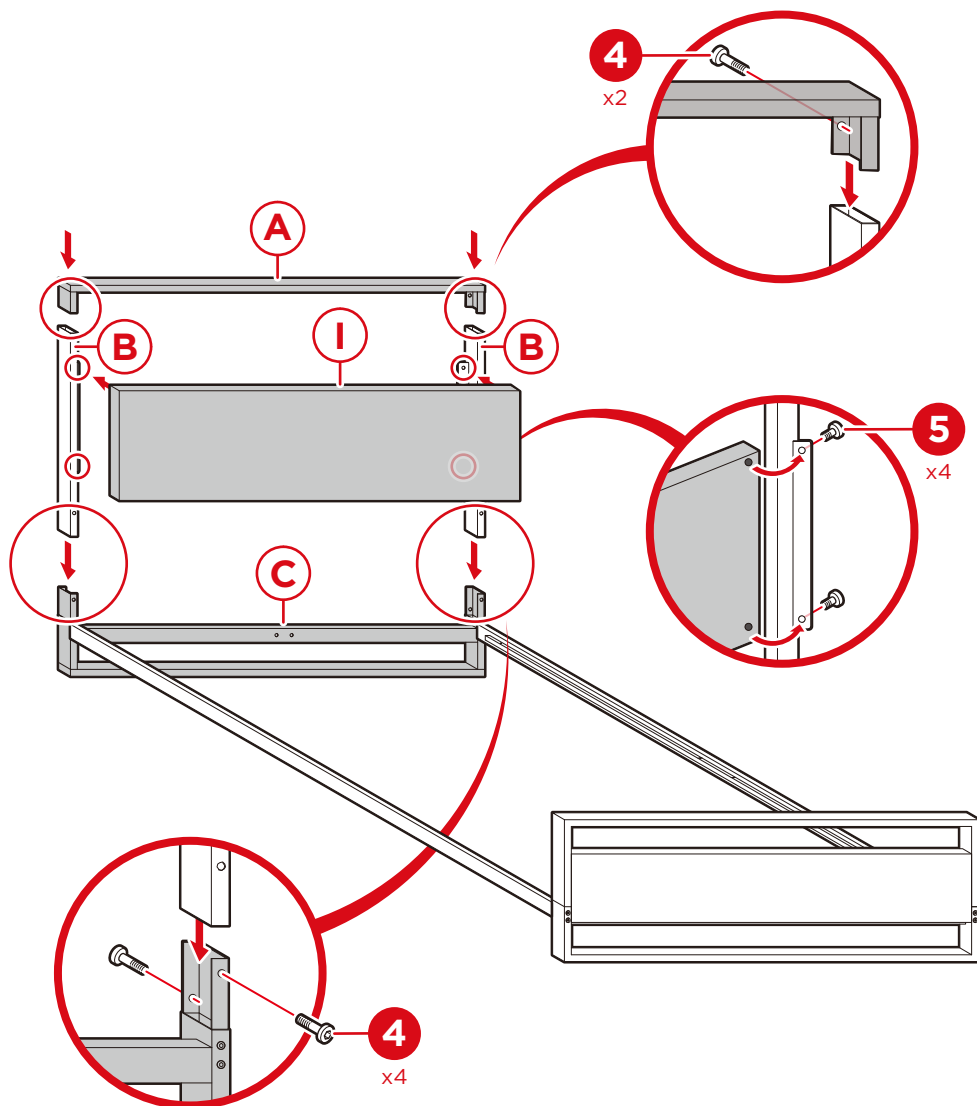
Place the footboard assembly onto the footboard base and secure with four part 4 screws.
Attach the footboard center to the footboard base with two part 3 screws.



PRODUCT ASSEMBLY

4

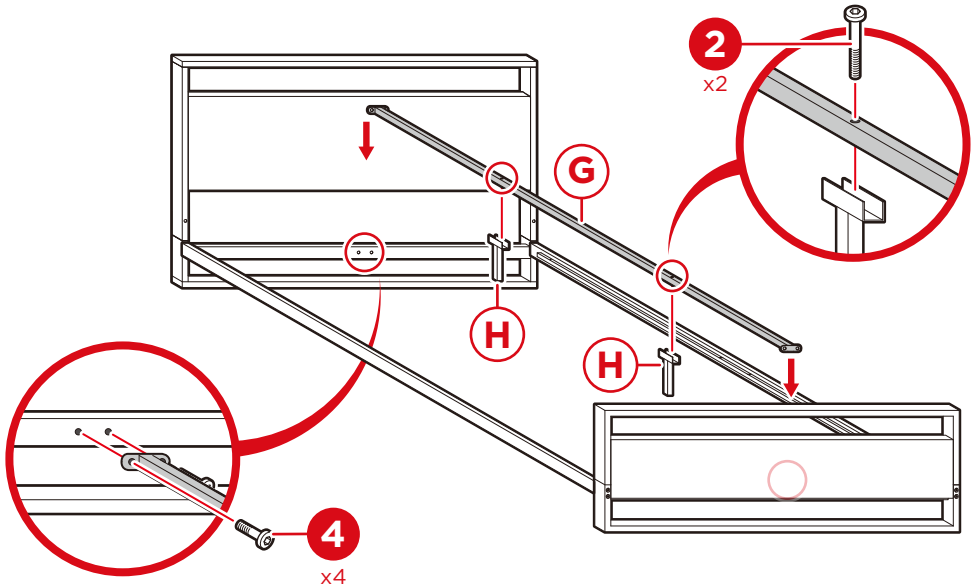
Attach two part B headboard side supports to the part I headboard center with four part 5 screws. Place the assembly onto the part C headboard base and secure with four part 4 screws. Place the part A headboard top onto the assembly and secure with two part 4 screws.



PRODUCT ASSEMBLY

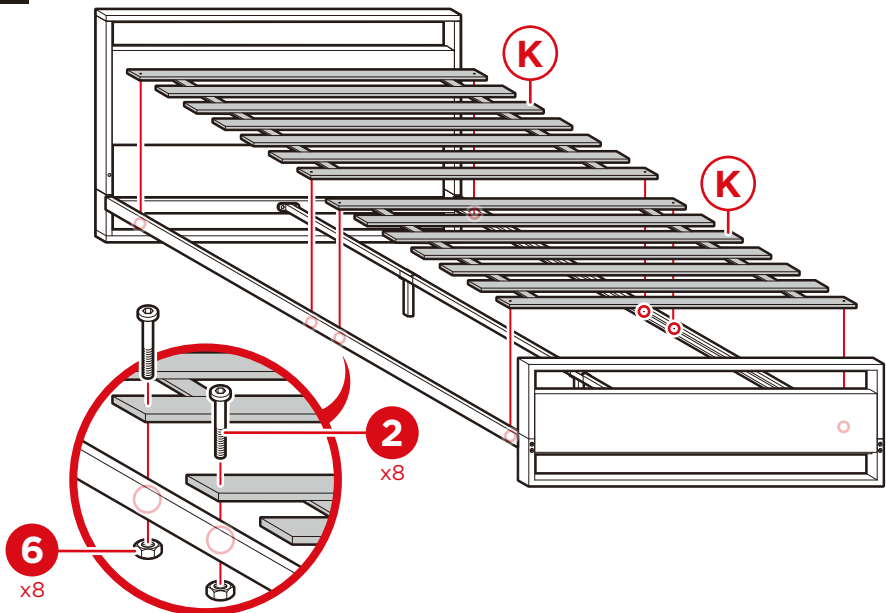
5

Attach two part H support legs to the part G center rail with two part 2 screws.
Attach the center rail to the head and footboard bases with four part 4 screws.



6

Attach two part K support slats with eight part 2 screws and eight part 6 nuts.





HELP CENTER



Question about your product? We're here to help. Visit us at:

help.bestchoiceproducts.com



Chat Support



Product Inquiry



Orders FAQ



Product Assembly



Returns & Refunds

PRODUCT WARRANTY INFORMATION

All items can be returned for any reason within 60 days of the receipt and will receive a full refund as long as the item is returned in its original product packaging and all accessories from its original shipment are included. All returned items will receive a full refund back to the original payment method. All returned items will not be charged a re-stocking fee.

All returned items require an RA (Return Authorization) number, which can only be provided by a Best Choice Products Customer Service Representative when the return request is submitted. Items received without an RA may not be accepted or may increase your return processing time. Once an item has been received by Best Choice Products, refunds or replacements will be processed within 5 business days.

All returns must be shipped back to the Best Choice Products Return Center at the customer's expense. If the reason for return is a result of an error by Best Choice Products then Best Choice Products will provide a pre-paid shipping label via email. Boxes for return shipping will not be provided by Best Choice Products, and is the customer's responsibility to either use the original shipping boxes or purchase new boxes.

Pictures may be required for some returns to ensure an item is not damaged prior to its return. Items returned are not considered undamaged until they are received by Best Choice Products and verified as such. All damages to items are the customer's responsibility until the item has been received by and acknowledge by Best Choice Products as undamaged.



WARNING

Manufacturer and seller expressly disclaim any and all liability for personal injury, property damage or loss, whether direct, indirect, or incidental, resulting from the incorrect attachment, improper use, inadequate maintenance, unapproved modification, or neglect of this product.