



ADA / ANSI Roll-In Showers

ONE-PIECE DOMED ACRYLIC

AQUARIUS
BATHWARE™

S 6430 BF

OD: 66.5" x 30.25" x 82.75"

ID: 60" x 30" Center Point

Weight: 255

Load Factor: 1.79

Handed By: Center Drain or Seat L/R

This unit complies with ANSI Z124.2, ICC/ ANSI A117.1, ASTM F462, ASTM E84, UPC, HUD, ADA, ABA, SBCCI, NAHB.

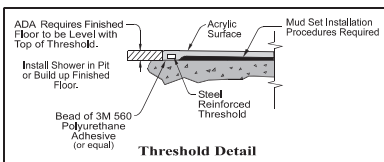
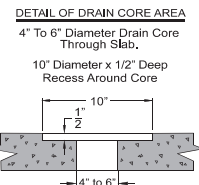
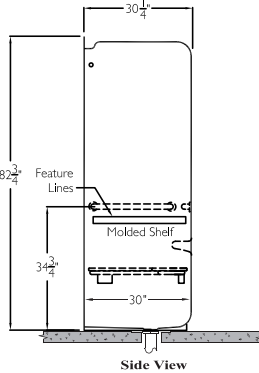
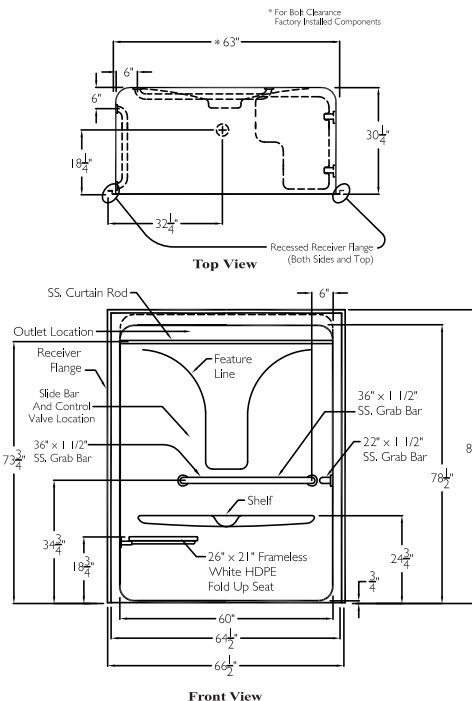
Also available as a MAS compliant unit.

Warranty: Gelcoat models have a 3 year limited warranty. Acrylic models have a 5 year limited warranty. Pumps, parts, and accessories 1 year limited warranty. For further details please refer to the complete warranty section.

Due to the nature of the materials, dimensions may vary +/- 1/2".



Photograph Illustrates Package One - Handed by Seat Left



- Refer to pages 67 & 68 to view corresponding framing detail.
- 10" Diameter x .5" deep recess around drain core

PKG ONE - ADA/ANSI: S 6430 BF

- .75" No Recess BF Threshold
- Handed by Seat L/R
- Dual Recessed Receiver Flanges
- Mudset
- White Premium Cast Acrylic

Factory Installed Accessories (Valve not included):

- L-Bar - 27" x 37" x 1.5" Smooth SS Radius
- 28.5" x 21" Frameless White HDPE RAD Seat
- 1" OD 18 Gauge SS Grommet Style Curtain Rod

For ADA/ANSI compliance with seat; Installed accessories must include pressure balancing mixing valve, hand-held shower with slide bar (back wall, with in reach of seated user), vacuum breaker and 60" hose. An additional vertical S-Bar is required for ANSI compliance. Unit and accessories installed per ADA/ANSI and Praxis Installation and warranty guidelines.

PKG TWO - ADA/ANSI: S 6430 BF

- .75" No Recess BF Threshold
- Handed by Center Drain
- Dual Recessed Receiver Flanges
- Mudset
- White Premium Cast Acrylic

Factory Installed Accessories (Valve not included):

- U-Bar - 27" x 60" x 1.5" Smooth SS Radius w/ Center Flange
- 1" OD 18 Gauge SS Grommet Style Curtain Rod
- Dual Recessed Receiver Flanges

For ADA/ANSI compliance less seat; Installed accessories must include U-Bar, pressure balancing mixing valve, hand-held shower with slide bar (side or back wall), vacuum breaker and 60" hose. Unit and accessories installed per ADA/ANSI and Praxis Installation and warranty guidelines.

BUILD TO ORDER BASE PLUS ACCESSORIES

BASE UNIT 1: S 6430 BF

- Specify Threshold Height
- Handed by Center Drain or Seat L/R
- Dual Recessed Receiver Flanges
- Mudset
- Reinforced for Standard Accessories

BASE UNIT 2: S 6430 BF EB

- .875" No Recess BF Threshold
- Handed by Center Drain or Seat L/R
- Dual Recessed Receiver Flanges
- EasyBase™
- Reinforced for Standard Accessories

BASE UNIT OPTIONAL ACCESSORIES

Standard Finish - Premium Cast Acrylic:

- White
- Bone
- Biscuit

Grab Bars

- S-Bar - 24" x 1.5" Smooth SS
- S-Bar - 24" x 1.25" Smooth White CC
- S-Bar - 24" x 1.25" Peened SS
- L-Bar - 27" x 37" x 1.5" Smooth SS Radius
- L-Bar - 27" x 37" x 1.25" Smooth White Radius
- L-Bar - 27" x 37" x 1.25" Peened SS Radius
- U-Bar - 27" x 60" x 1.5" Smooth SS Radius w/ Center Flange
- U-Bar - 27" x 60" x 27" x 1.25" Smooth White Radius w/ Center Flange

Inside Curtain Line Seats (Revised ADA-ABA 2004)

- 26" X 21" Frameless White HDPE Fold Up RAD Seat
- 26" X 21" Frameless White Padded Fold Up RAD Seat
- 26" X 21" Frameless Woodgrain Phenolic Fold Up RAD Seat

Full Depth of Stall Seats (ADAAG 1991-2002)

- 28.5" X 21" Frameless White HDPE Fold Up RAD Seat
- 28.5" X 21" Frameless White Padded Fold Up RAD Seat
- 28.5" X 21" Frameless Woodgrain Phenolic Fold Up RAD Seat
- 28.5" X 21" White Padded w/ Legs Seat (Bariatrics)

Factory Modifications

- Modified Drain Location - Specify Location
- Nurse Call Box Drilling - Specify Location
- Dome Light Drilling
- Valve Drilling - Specify Hole Size
- .5" No Recess BF Threshold
- 2" BF Threshold (Not Available with EasyBase™)
- Wood Reinforcement for HUD
- Full Wood Reinforcement
- ArmorShield P3 Protection
- Install 30" Slide Bar / HS Kit
- Install SS Soap Dish - Recessed
- Install Standard Symmons Valve Package
- 1" OD 18 Gauge SS Grommet Style Curtain Rod
- 1" OD 18 Gauge White Grommet Style Curtain Rod

Field Installed Accessories (Shipped Loose)

- No Caulk Drain - Chrome
- Semi-Permanent Threshold
- Collapsible Dam - White 66"
- Caps for Collapsible Dam - Pair
- Curtain - Premium 66" x 72" White Nylon Weighted
- Curtain - Heavy Duty 66" x 72" White Vinyl Weighted
- Dome Light - Voltage 144 Standard
- Dome Light - Voltage 277



HDPE (high density polyethylene) seats used by Praxis Companies, LLC contain recycled materials.