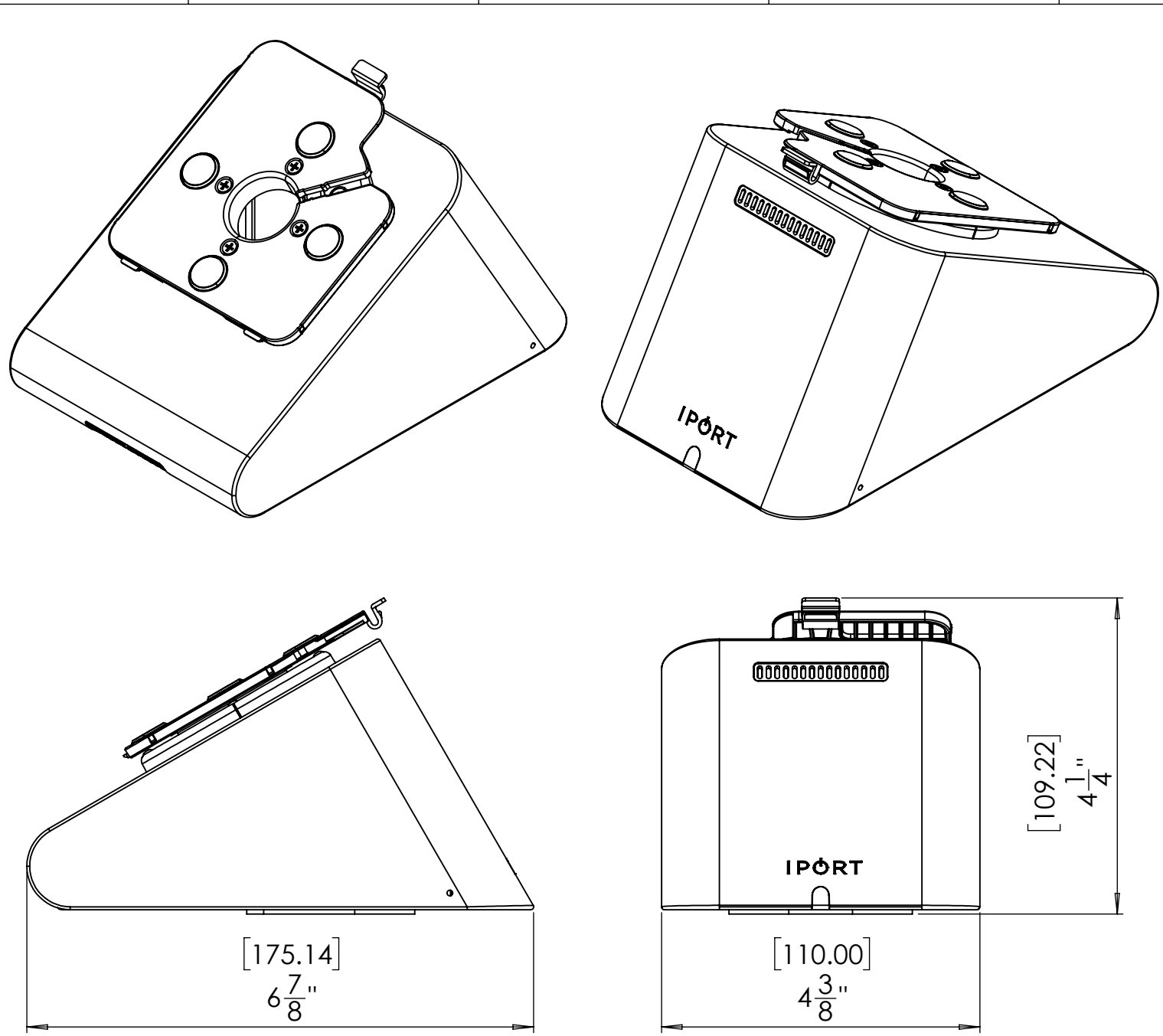
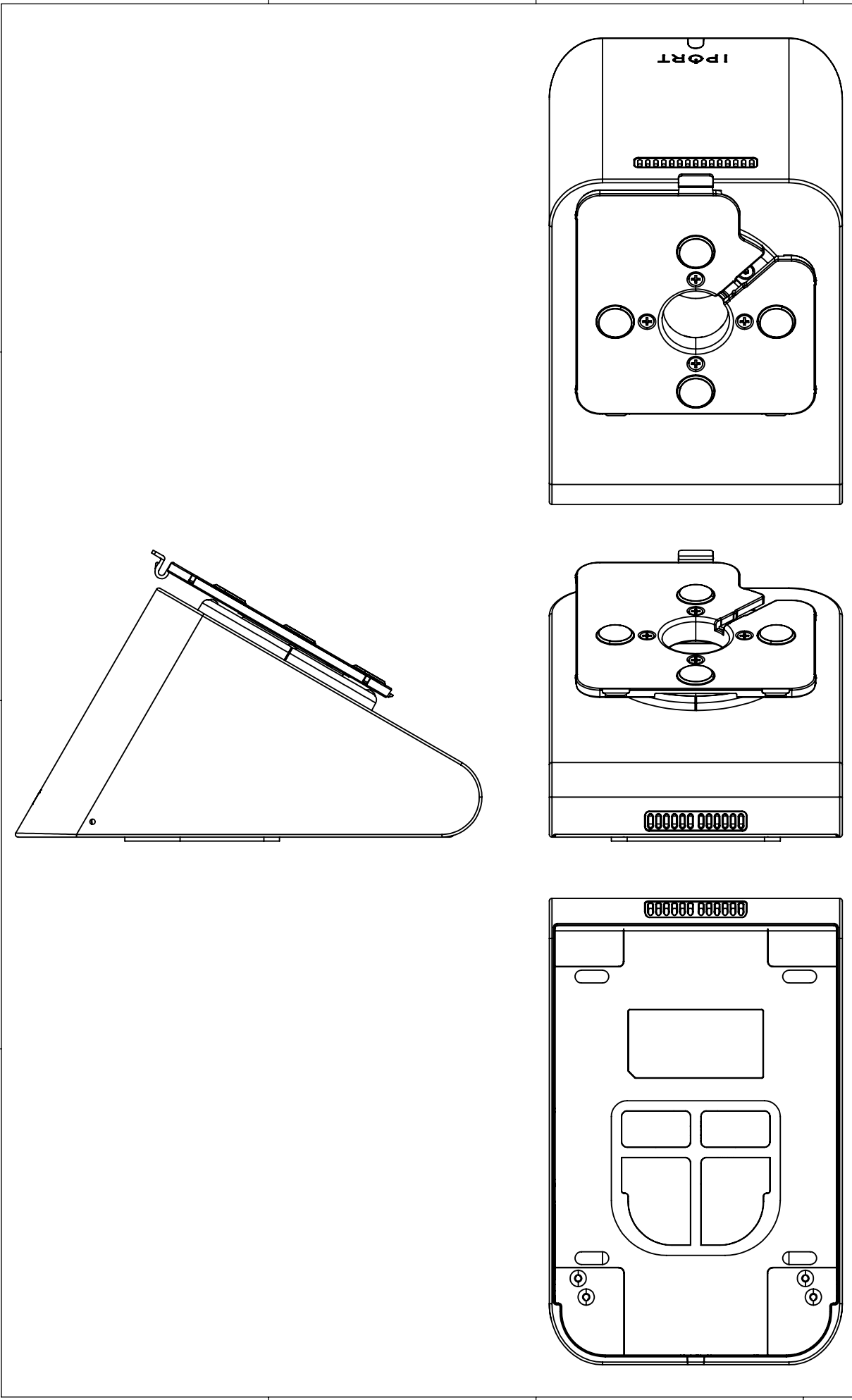


8 7 6 5 4 3 2 1

D
C
B
A

D
C
B
A



[175.14]
6 ⁷/₈"

[110.00]
4 ³/₈"

[109.22]
4 ¹/₄"

PROPRIETARY AND CONFIDENTIAL
THE INFORMATION CONTAINED IN THIS DRAWING IS THE SOLE PROPERTY OF DANA INNOVATIONS. ANY REPRODUCTION IN PART OR AS A WHOLE WITHOUT THE WRITTEN PERMISSION OF DANA INNOVATIONS IS PROHIBITED.

UNLESS OTHERWISE SPECIFIED:		NAME	DATE
DIMENSIONS ARE IN INCHES [MM]			
TOLERANCES:			
FRACTIONAL ±			
ANGULAR ±			
TWO PLACE DECIMAL ±			
THREE PLACE DECIMAL ±			
INTERPRET GEOMETRIC TOLERANCING PER:		COMMENTS:	
MATERIAL:			
FINISH:			
DO NOT SCALE DRAWING		RELEASED ON:	

TITLE: 72385 CONNECT MOUNT - WEDGE BLK	
SIZE	DWG. NO.
B	
SCALE: 1:2	WT:
SHEET 1 OF 1	REV A

8 7 6 5 4 3 2 1