

ASSEMBLY INSTRUCTION

DINING TABLE

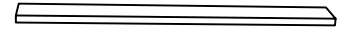
A Top



B Legs



C Rail



1pc

D Screw
Ø5/16"x2"



2pcs

E Flat Washer
Ø5/16"



1pc

F Spring Washer
Ø5/16"



12pcs

G Allen Wrench
Ø5/16"



12pcs

H Bolts
Ø5/16"x3-3/4"



12pcs

I Half Moon Screw Nut
Ø5/16"



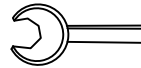
1pc

J Screw Nut
Ø5/16"x6mm



4pcs

K Spanner
Ø5/16"



4pcs

4pcs

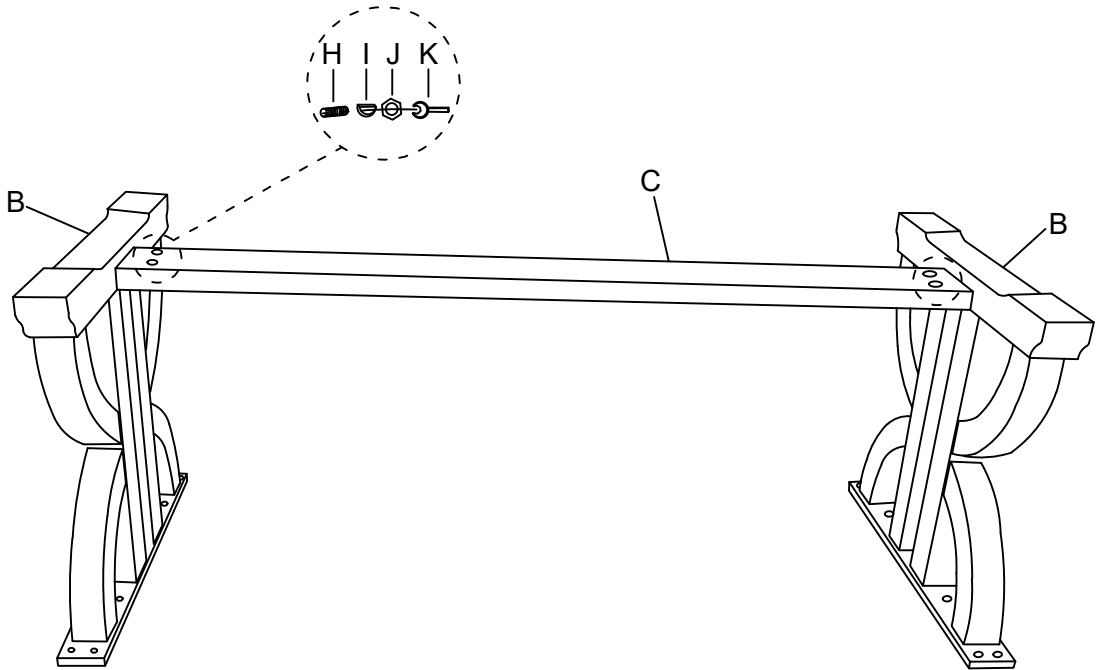
1pc



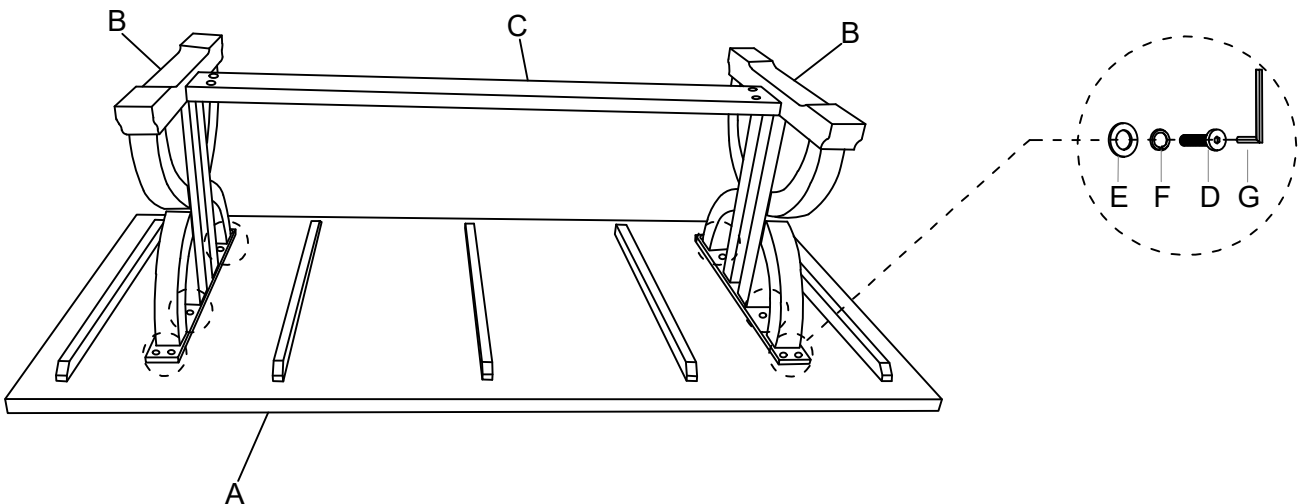
This page lists all the contents included in the box. Please take the time to identify the hardware as well as the individual components to this product. As you unpack and prepare for assembly, place the contents on a carpeted or padded area to protect them from damage.

*** Do not tighten screws & bolts until the entire unit is completely assembled.

- 1 Attach Rail (C) to Legs (B) by using Bolts (H), Half Moon Screw Nut (I), Screw Nut (J) and Spanner(K) as shown.



- 2 Attach Legs (B) to Top (A) by using Screw (D), Flat Washer (E), Spring Washer (F) and Allen Wrench (G) as shown.



Cleaning & Care

Treat surface with care. Surface is resistant to scratches but is not scratch resistant. Clean surfaces with a dry or damp soft cloth. Do not use abrasive cleaners. Hardware may loosen over time. Periodically check that all connections are tight.