

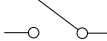

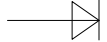
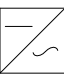
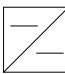


DRAWING GUIDE - Smart - UPS On-line

Sheet No.	Component /Detail	Description
1	Draw ing Guide	Smart-UPS-Online SRT3000RMXLA+SRT96RMBP 120VAC Draw ing Guide
2	UPS Isometric View	Smart-UPS-Online SRT3000RMXLA+SRT96RMBP 120VAC UPS Isometric View
3	UPS General Arrangement	Smart-UPS-Online SRT3000RMXLA+SRT96RMBP 120VAC UPS General Arrangement
4	Battery Isometric View	Smart-UPS-Online SRT3000RMXLA+SRT96RMBP 120VAC UPS Isometric View
5	Battery General Arrangement	Smart-UPS-Online SRT3000RMXLA+SRT96RMBP 120VAC Battery General Arrangement
6	Solution Isometric View	Smart-UPS-Online SRT3000RMXLA+SRT96RMBP 120VAC Solution Isometric View
7	Solution General Arrangement	Smart-UPS-Online SRT3000RMXLA+SRT96RMBP 120VAC Solution General Arrangement
8	System One Line Diagram	Smart-UPS-Online SRT3000RMXLA+SRT96RMBP 120VAC System One Line Diagram

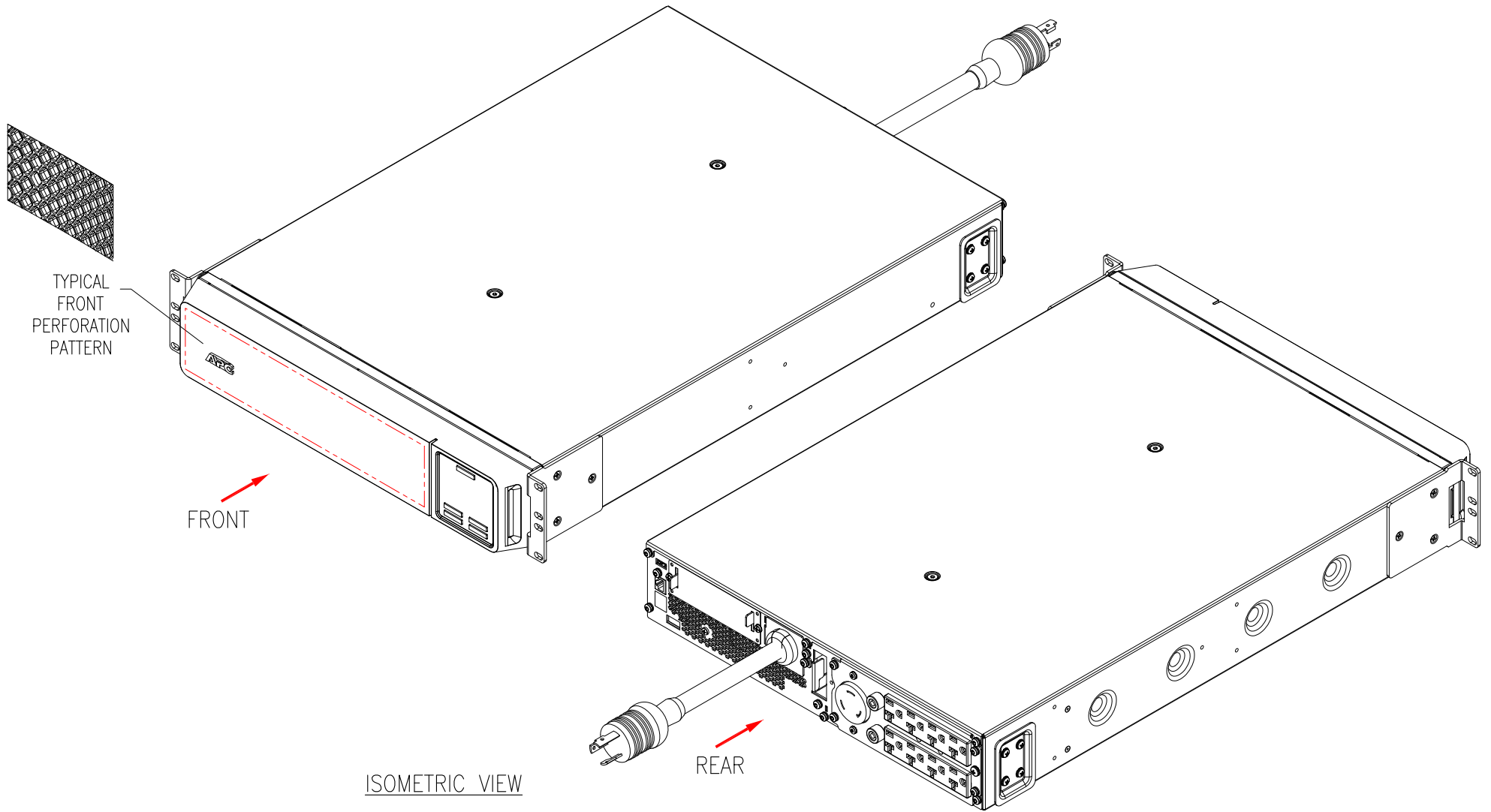
LEGEND			
SYMBOL	DESCRIPTION	SYMBOL	DESCRIPTION
	CIRCUIT BREAKER		AC-DC CONVERTER
	RELAY		BATTERY
	TERMINATOR		DC-AC CONVERTER (INVERTER)
	DC-DC CONVERTER		

THIS DRAWING AND SPECIFICATIONS HEREIN ARE THE PROPERTY OF SCHNEIDER ELECTRIC AND SHALL NOT BE COPIED, REPRODUCED OR USED IN WHOLE OR IN PART, AS THE BASIS FOR THE MANUFACTURE OR SALE OF ITEMS WITHOUT WRITTEN PERMISSION FROM SCHNEIDER ELECTRIC. THIS DRAWING IS BASED UPON LATEST AVAILABLE INFORMATION AND IS SUBJECT TO CHANGE WITHOUT NOTICE.



TITLE: Smart-UPS Online (SRT) SRT3000RMXLA+SRT96RMBP
 Input: 120VAC, (L+N+G), 50/60Hz 1PH
 UPS Output: 120VAC, (L+N+G), (8)NEMA 5-20R, (1)NEMA L5-30R
 RACK MOUNT UPS AND EXTERNAL BATTERY PACK
 DRAWING GUIDE
PROJECT: DRAWINGS **SHEET** 1 OF 8

DWG NO: SRT3000RMXLA	REV: 0
DRAWN BY: JAYAPRAKASH	15-APR-16
ENGINEER: CHANDAN	12-MAY-16
APPROVED BY: VENKATRAMAN C	12-MAY-16
	PROJECTION
	N.A.



NOTES:

1. INSTALLATION SHALL COMPLY WITH ALL APPLICABLE NATIONAL, STATE AND LOCAL CODES.
2. REFER TO PRODUCT DOCUMENTATION FOR ADDITIONAL DETAILS PRIOR TO INSTALLATION AND SITE PREPARATION WORK.

THIS DRAWING AND SPECIFICATIONS HEREIN ARE THE PROPERTY OF SCHNEIDER ELECTRIC AND SHALL NOT BE COPIED, REPRODUCED OR USED IN WHOLE OR IN PART, AS THE BASIS FOR THE MANUFACTURE OR SALE OF ITEMS WITHOUT WRITTEN PERMISSION FROM SCHNEIDER ELECTRIC. THIS DRAWING IS BASED UPON LATEST AVAILABLE INFORMATION AND IS SUBJECT TO CHANGE WITHOUT NOTICE.



TITLE: Smart-UPS Online (SRT) SRT3000RMXLA+SRT96RMBP
 Input: 120VAC, (L+N+G), 50/60Hz 1PH
 UPS Output: 120VAC, (L+N+G), (8)NEMA 5-20R, (1)NEMA L5-30R
 RACK MOUNT UPS AND EXTERNAL BATTERY PACK
 UPS-ISOMETRIC VIEW

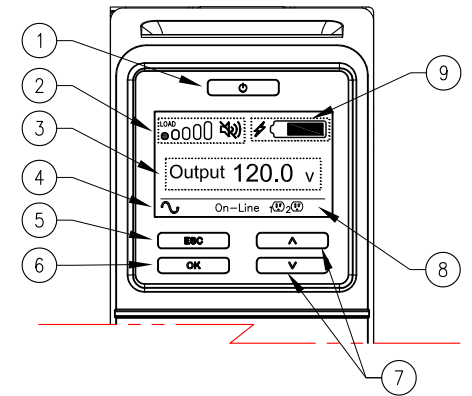
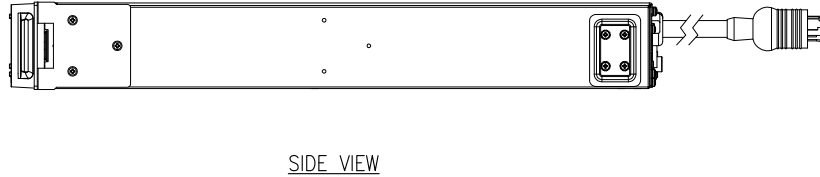
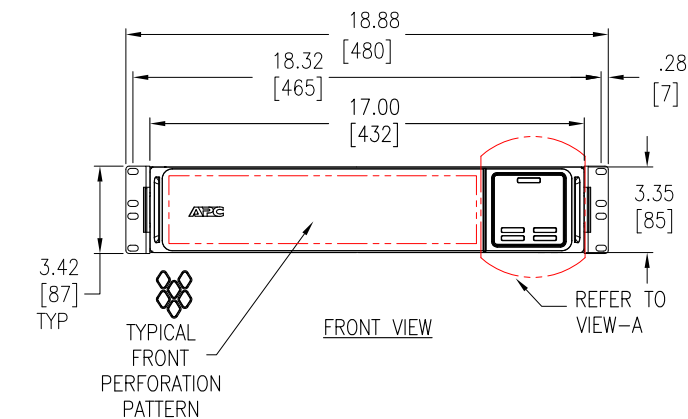
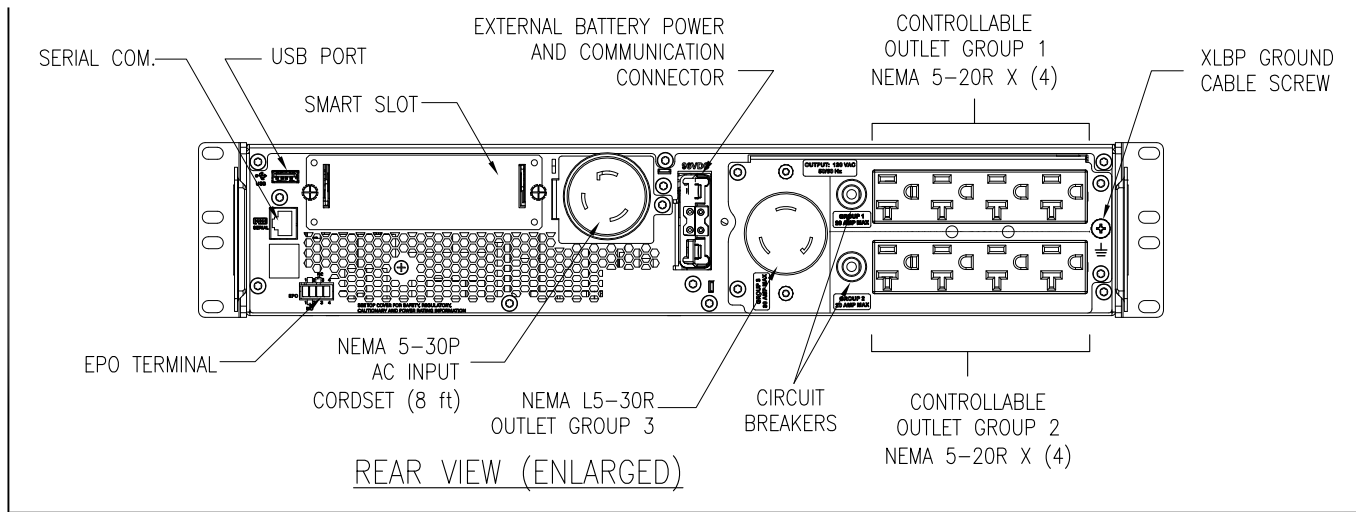
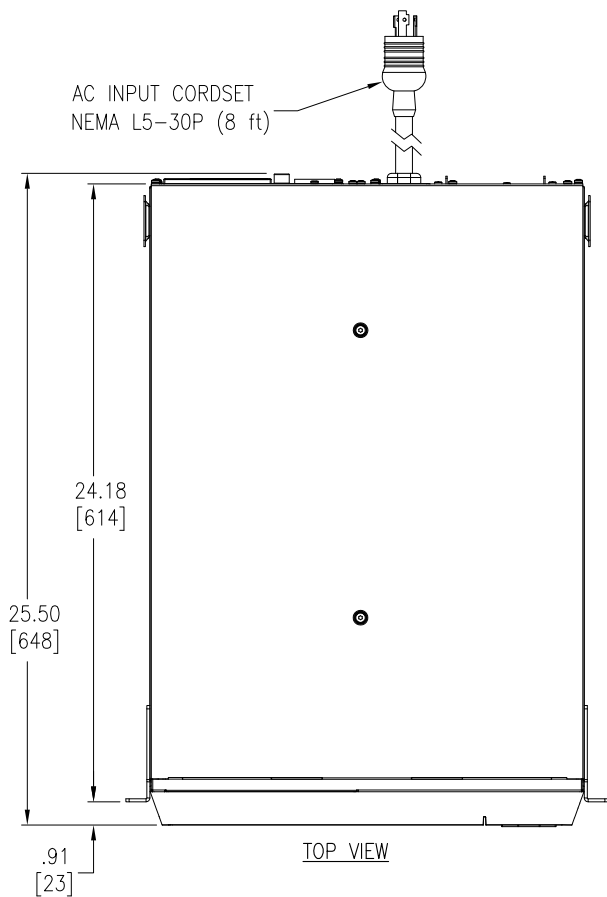
PROJECT: DRAWINGS SHEET 2 OF 8

DWG NO: SRT3000RMXLA **REV.** 0

DRAWN BY: JAYAPRAKASH 15-APR-16 **THIRD**

ENGINEER: CHANDAN 12-MAY-16 **ANGLE**

APPROVED BY: VENKATRAMAN C 12-MAY-16 **PROJECTION**



DISPLAY INTERFACE:

1. POWER "ON/OFF" BUTTON.
2. LOAD ICON, DISABLE/ MUTE AUDIBLE ALARM ICON.
3. UPS STATUS INFORMATION.
4. OPERATION MODE ICONS.
5. "ESCAPE" BUTTON.
6. "OK" BUTTON.
7. "UP/DOWN" BUTTONS.
8. CONTROLLABLE OUTLET GROUP STATUS ICONS.
9. BATTERY STATUS ICONS.

NOTES:

1. INSTALLATION SHALL COMPLY WITH ALL APPLICABLE NATIONAL, STATE AND LOCAL CODES.
2. REFER TO PRODUCT DOCUMENTATION FOR ADDITIONAL DETAILS PRIOR TO INSTALLATION AND SITE PREPARATION WORK.
3. ALL DIMENSIONS ARE IN INCHES [MILLIMETERS].
4. CABLE ENTRY IS FROM REAR OF UNIT.
5. WEIGHT OF UNIT IS 70.5 lb [32 kg].

THIS DRAWING AND SPECIFICATIONS HEREIN ARE THE PROPERTY OF SCHNEIDER ELECTRIC AND SHALL NOT BE COPIED, REPRODUCED OR USED IN WHOLE OR IN PART, AS THE BASIS FOR THE MANUFACTURE OR SALE OF ITEMS WITHOUT WRITTEN PERMISSION FROM SCHNEIDER ELECTRIC. THIS DRAWING IS BASED UPON LATEST AVAILABLE INFORMATION AND IS SUBJECT TO CHANGE WITHOUT NOTICE.

Schneider Electric

TITLE: Smart-UPS Online (SRT) SRT3000RMXLA+SRT96RMBP
Input: 120VAC, (L+N+G), 50/60Hz 1PH
UPS Output: 120VAC, (L+N+G), (8)NEMA 5-20R, (1)NEMA L5-30R
RACK MOUNT UPS AND EXTERNAL BATTERY PACK
UPS-GENERAL ARRANGEMENT

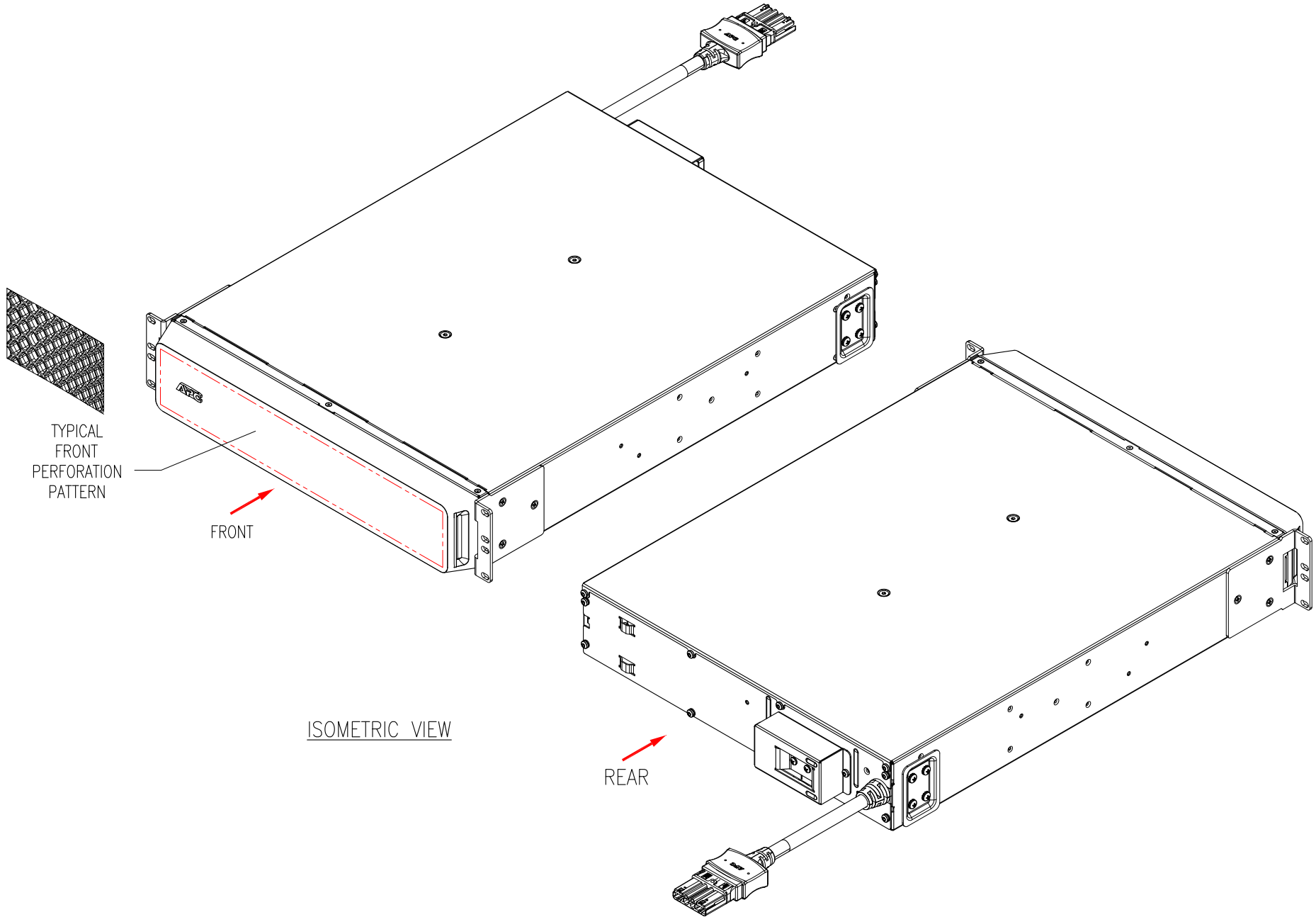
PROJECT: DRAWINGS SHEET 3 OF 8

DWG NO: SRT3000RMXLA REV. 0

DRAWN BY: JAYAPRAKASH 12-MAY-16 THIRD

ENGINEER: CHANDAN 12-MAY-16 ANGLE

APPROVED BY: VENKATRAMAN C 12-MAY-16 PROJECTION



NOTES:

1. INSTALLATION SHALL COMPLY WITH ALL APPLICABLE NATIONAL, STATE AND LOCAL CODES.
2. REFER TO PRODUCT DOCUMENTATION FOR ADDITIONAL DETAILS PRIOR TO INSTALLATION AND SITE PREPARATION WORK.

THIS DRAWING AND SPECIFICATIONS HEREIN ARE THE PROPERTY OF SCHNEIDER ELECTRIC AND SHALL NOT BE COPIED, REPRODUCED OR USED IN WHOLE OR IN PART, AS THE BASIS FOR THE MANUFACTURE OR SALE OF ITEMS WITHOUT WRITTEN PERMISSION FROM SCHNEIDER ELECTRIC. THIS DRAWING IS BASED UPON LATEST AVAILABLE INFORMATION AND IS SUBJECT TO CHANGE WITHOUT NOTICE.



TITLE: Smart-UPS Online (SRT) SRT3000RMXLA+SRT96RMBP
 Input: 120VAC, (L+N+G), 50/60Hz 1PH
 UPS Output: 120VAC, (L+N+G), (8)NEMA 5-20R, (1)NEMA L5-30R
 RACK MOUNT UPS AND EXTERNAL BATTERY PACK
 BATTERY ISOMETRIC VIEW

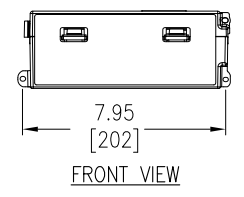
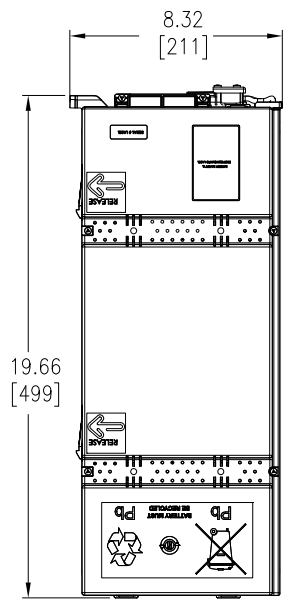
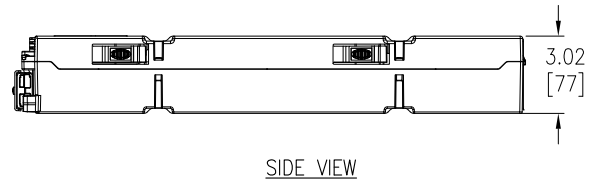
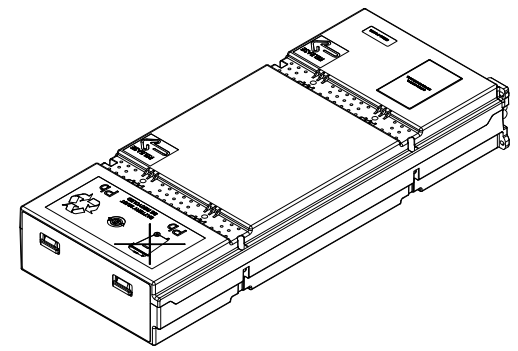
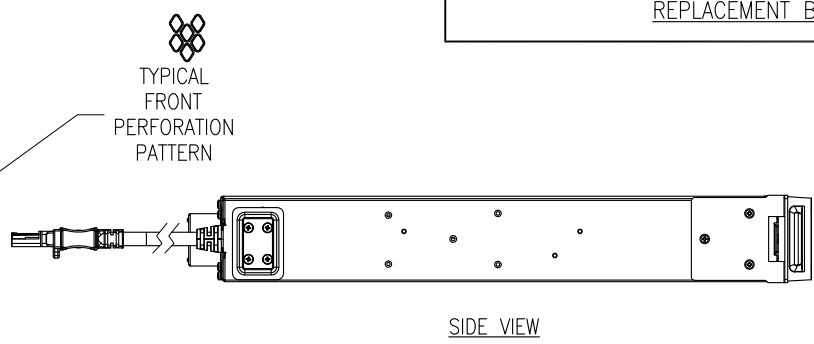
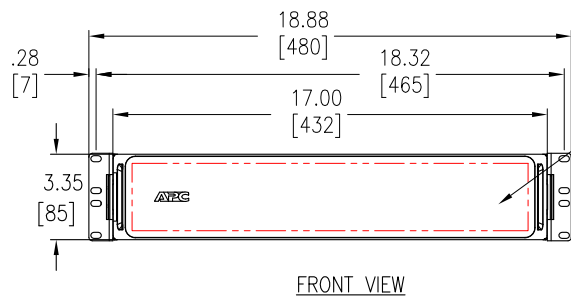
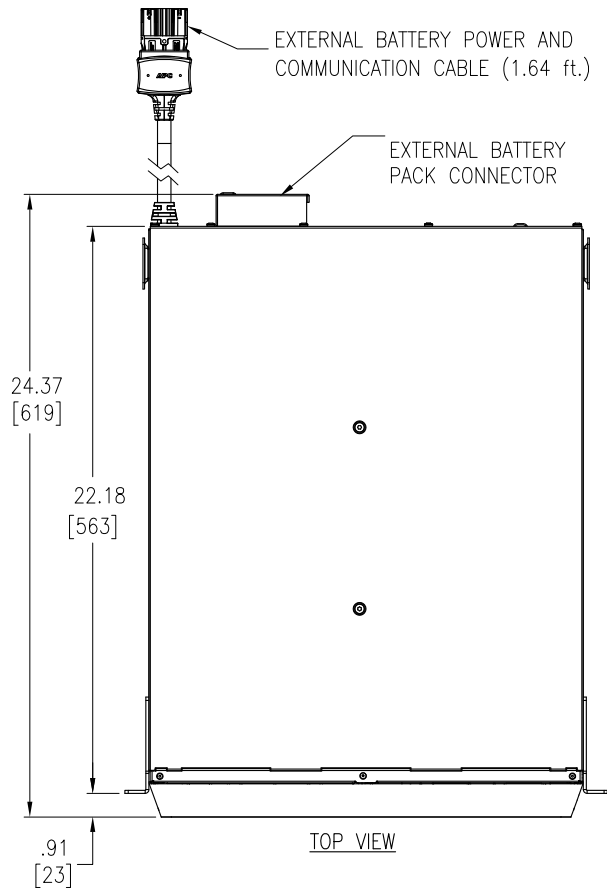
PROJECT: DRAWINGS **SHEET** 4 OF 8

DWG NO: SRT3000RMXLA **REV.** 0

DRAWN BY: JAYAPRAKASH 15-APR-16 **THIRD**

ENGINEER: CHANDAN 12-MAY-16 **ANGLE**

APPROVED BY: VENKATRAMAN C 12-MAY-16 **PROJECTION**



REPLACEMENT BATTERY CARTRIDGE - (APCRBC152)

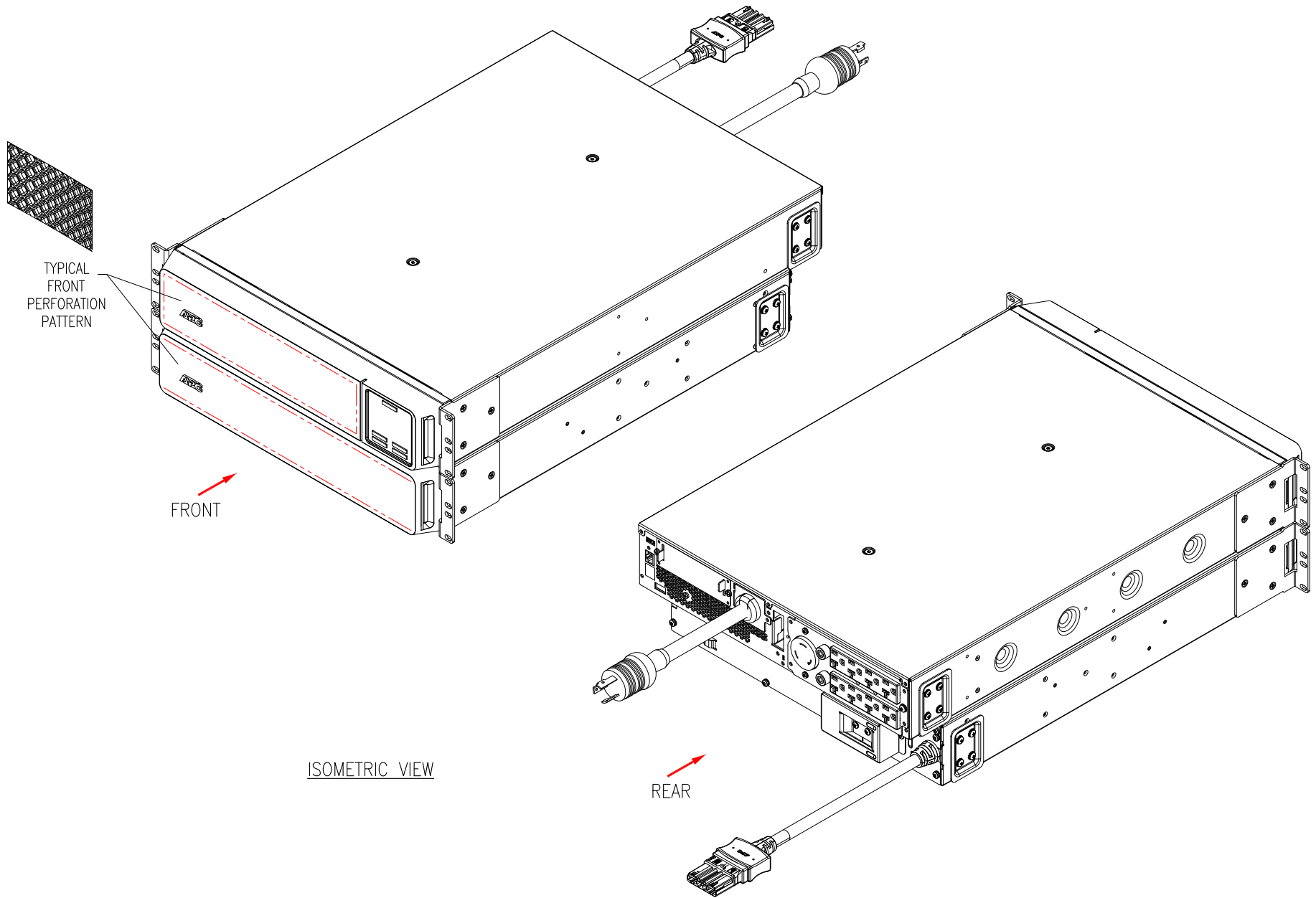
- NOTES:
1. INSTALLATION SHALL COMPLY WITH ALL APPLICABLE NATIONAL, STATE AND LOCAL CODES.
 2. REFER TO PRODUCT DOCUMENTATION FOR ADDITIONAL DETAILS PRIOR TO INSTALLATION AND SITE PREPARATION WORK.
 3. ALL DIMENSIONS ARE IN INCHES [MILLIMETERS].
 4. WEIGHT OF UNIT 90.2 lb [40.9kg].

THIS DRAWING AND SPECIFICATIONS HEREIN ARE THE PROPERTY OF SCHNEIDER ELECTRIC AND SHALL NOT BE COPIED, REPRODUCED OR USED IN WHOLE OR IN PART, AS THE BASIS FOR THE MANUFACTURE OR SALE OF ITEMS WITHOUT WRITTEN PERMISSION FROM SCHNEIDER ELECTRIC. THIS DRAWING IS BASED UPON LATEST AVAILABLE INFORMATION AND IS SUBJECT TO CHANGE WITHOUT NOTICE.



TITLE: Smart-UPS Online (SRT) SRT3000RMXLA+SRT96RMBP
 Input: 120VAC, (L+N+G), 50/60Hz 1PH
 UPS Output: 120VAC, (L+N+G), (8)NEMA 5-20R, (1)NEMA L5-30R
 RACK MOUNT UPS AND EXTERNAL BATTERY PACK
 BATTERY AND CARTRIDGE GENERAL ARRANGEMENT
 PROJECT: DRAWINGS SHEET 5 OF 8

DWG NO:	SRT3000RMXLA	REV.	0
DRAWN BY:	JAYAPRAKASH	15-APR-16	THIRD
ENGINEER:	CHANDAN	12-MAY-16	ANGLE
APPROVED BY:	VENKATRAMAN C	12-MAY-16	PROJECTION



NOTES:

1. INSTALLATION SHALL COMPLY WITH ALL APPLICABLE NATIONAL, STATE AND LOCAL CODES.
2. REFER TO PRODUCT DOCUMENTATION FOR ADDITIONAL DETAILS PRIOR TO INSTALLATION AND SITE PREPARATION WORK.

THIS DRAWING AND SPECIFICATIONS HEREIN ARE THE PROPERTY OF SCHNEIDER ELECTRIC AND SHALL NOT BE COPIED, REPRODUCED OR USED IN WHOLE OR IN PART, AS THE BASIS FOR THE MANUFACTURE OR SALE OF ITEMS WITHOUT WRITTEN PERMISSION FROM SCHNEIDER ELECTRIC. THIS DRAWING IS BASED UPON LATEST AVAILABLE INFORMATION AND IS SUBJECT TO CHANGE WITHOUT NOTICE.



TITLE: Smart-UPS Online (SRT) SRT3000RMXLA+SRT96RMBP
 Input: 120VAC, (L+N+G), 50/60Hz 1PH
 UPS Output: 120VAC, (L+N+G), (8)NEMA 5-20R, (1)NEMA L5-30R
 RACK MOUNT UPS AND EXTERNAL BATTERY PACK
 SOLUTION-ISOMETRIC VIEW

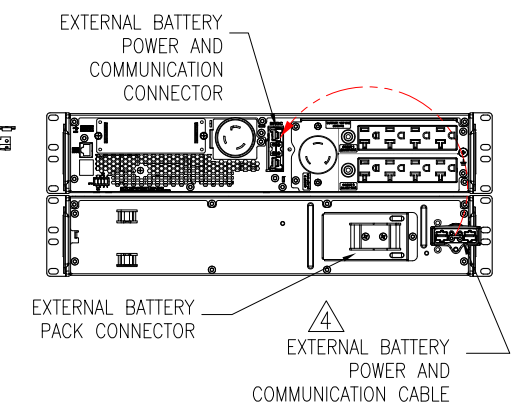
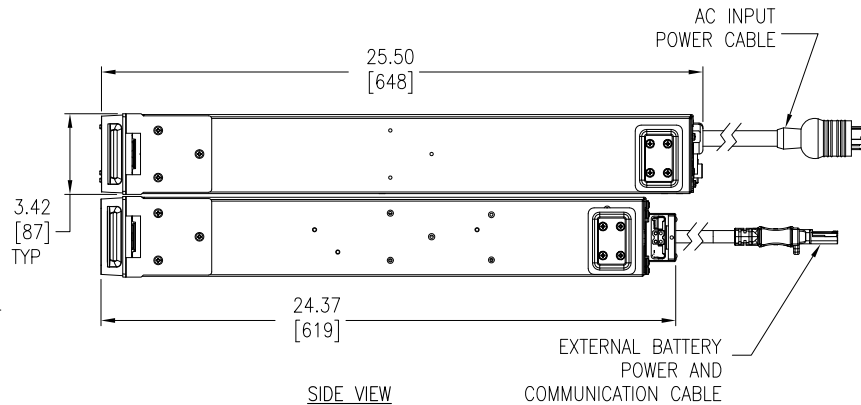
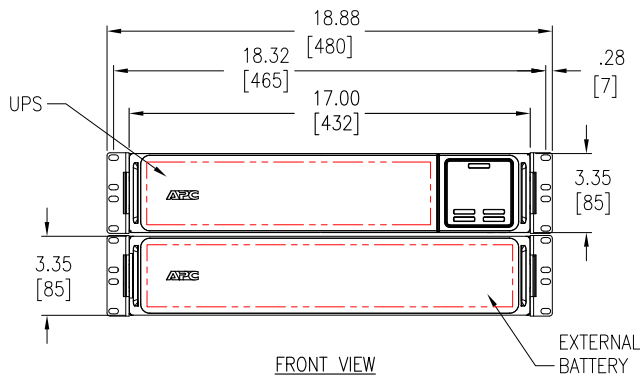
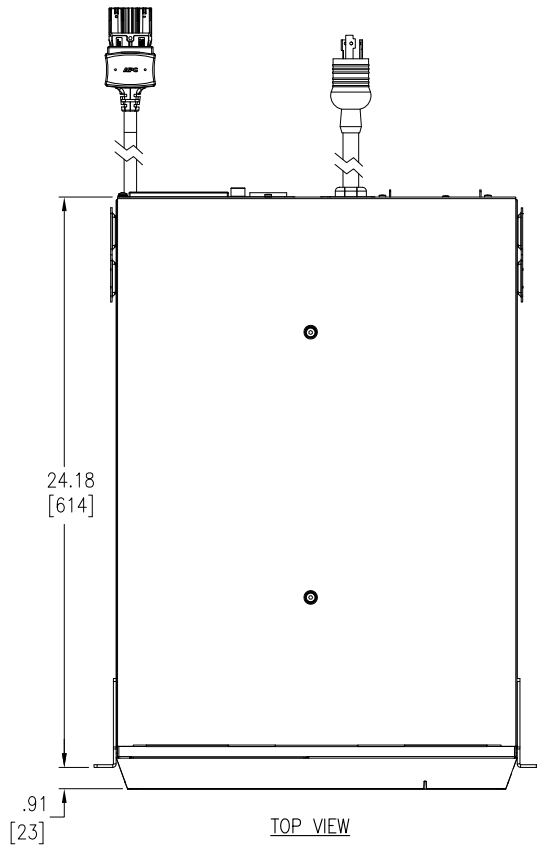
PROJECT: DRAWINGS SHEET 6 OF 8

DWG NO: SRT3000RMXLA **REV:** 0

DRAWN BY: JAYAPRAKASH 15-APR-16 **THIRD**

ENGINEER: CHANDAN 12-MAY-16 **ANGLE**

APPROVED BY: VENKATRAMAN C 12-MAY-16 **PROJECTION**



NOTES:

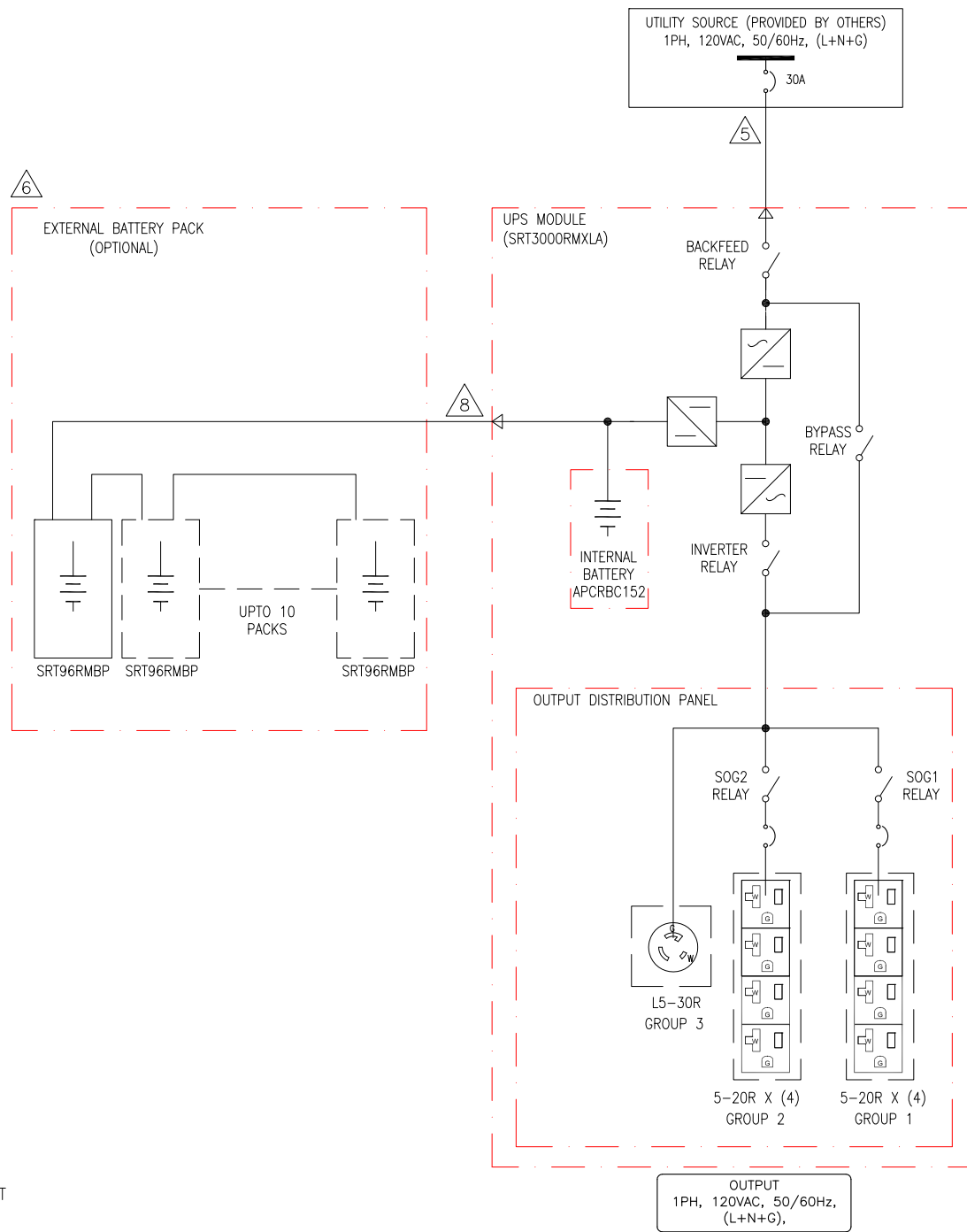
1. INSTALLATION SHALL COMPLY WITH ALL APPLICABLE NATIONAL, STATE AND LOCAL CODES.
2. REFER TO PRODUCT DOCUMENTATION FOR ADDITIONAL DETAILS PRIOR TO INSTALLATION AND SITE PREPARATION WORK.
3. ALL DIMENSIONS ARE IN INCHES [MILLIMETERS].
- △ 4. CONNECT EXTERNAL BATTERY POWER AND COMMUNICATION CABLE TO EXTERNAL BATTERY POWER AND COMMUNICATION CONNECTOR OF UPS.

THIS DRAWING AND SPECIFICATIONS HEREIN ARE THE PROPERTY OF SCHNEIDER ELECTRIC AND SHALL NOT BE COPIED, REPRODUCED OR USED IN WHOLE OR IN PART, AS THE BASIS FOR THE MANUFACTURE OR SALE OF ITEMS WITHOUT WRITTEN PERMISSION FROM SCHNEIDER ELECTRIC. THIS DRAWING IS BASED UPON LATEST AVAILABLE INFORMATION AND IS SUBJECT TO CHANGE WITHOUT NOTICE.



TITLE: Smart-UPS Online (SRT) SRT3000RMXLA+SRT96RMBP
 Input: 120VAC, (L+N+G), 50/60Hz 1PH
 UPS Output: 120VAC, (L+N+G), (8)NEMA 5-20R, (1)NEMA L5-30R
 RACK MOUNT UPS AND EXTERNAL BATTERY PACK SOLUTION - GENERAL ARRANGEMENT
 PROJECT: DRAWINGS SHEET 7 OF 8

DWG NO:	SRT3000RMXLA	REV:	0
DRAWN BY:	JAYAPRAKASH	15-APR-16	THIRD
ENGINEER:	CHANDAN	12-MAY-16	ANGLE
APPROVED BY:	VENKATRAMAN C	12-MAY-16	PROJECTION



NOTES:

1. INSTALLATION SHALL COMPLY WITH ALL APPLICABLE NATIONAL, STATE AND LOCAL CODES.
2. REFER TO PRODUCT DOCUMENTATION FOR ADDITIONAL DETAILS PRIOR TO INSTALLATION AND SITE PREPARATION WORK.
3. DRAWING DEPICTS POWER SYSTEM CONNECTIONS AND IS NOT REPRESENTATIVE OF PHYSICAL LAYOUT. PLEASE REFER TO MECHANICAL DRAWINGS FOR MORE SPECIFIC PHYSICAL DATA.
4. UTILITY SOURCE MUST BE 1PH, 120VAC (L+N+G), 50/60Hz PROVIDED BY OTHERS.
- △5. CORDSET 8 FEET, NEMA L5-30P IS PART OF UPS SKU# SRT3000RMXLA.
- △6. A MAXIMUM OF 10 EXTERNAL BATTERY PACKS CAN BE CONNECTED WITH UPS TO GET EXTENDED RUN TIME.
7. OUTPUT DISTRIBUTION PANEL CONTAINS CONTROLLABLE OUTPUT GROUPS. REFER TO INSTALLATION MANUAL FOR DETAILED INSTRUCTIONS.
- △8. CABLE IS PART OF EXTERNAL BATTERY PACK SKU #: SRT96RMBP.

THIS DRAWING AND SPECIFICATIONS HEREIN ARE THE PROPERTY OF SCHNEIDER ELECTRIC AND SHALL NOT BE COPIED, REPRODUCED OR USED IN WHOLE OR IN PART, AS THE BASIS FOR THE MANUFACTURE OR SALE OF ITEMS WITHOUT WRITTEN PERMISSION FROM SCHNEIDER ELECTRIC. THIS DRAWING IS BASED UPON LATEST AVAILABLE INFORMATION AND IS SUBJECT TO CHANGE WITHOUT NOTICE.



TITLE: Smart-UPS Online (SRT) SRT3000RMXLA+SRT96RMBP
 Input: 120VAC, (L+N+G), 50/60Hz 1PH
 UPS Output: 120VAC, (L+N+G), (8)NEMA 5-20R, (1)NEMA L5-30R
 RACK MOUNT UPS AND EXTERNAL BATTERY PACK
 SYSTEM ON-LINE DIAGRAM
PROJECT: DRAWINGS **SHEET** 8 OF 8

DWG NO: SRT3000RMXLA **REV.** 0
DRAWN BY: JAYAPRAKASH 12-MAY-16 **ANGLE**
ENGINEER: M.H.LIPARE 12-MAY-16 **PROJECTION**
APPROVED BY: VENKATRAMAN C 12-MAY-16 **N.A.**