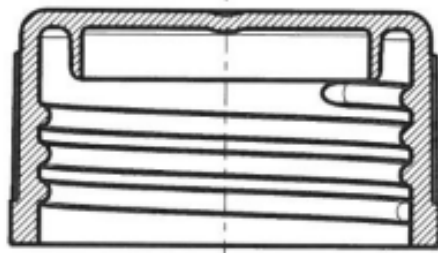
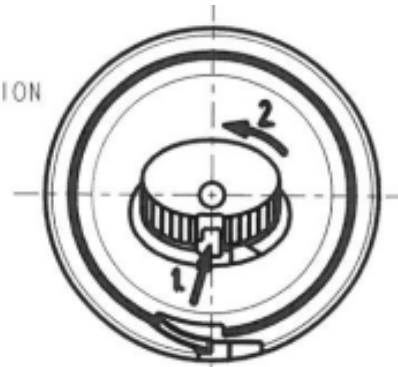


CHILD RESISTANT VERSION



CAP

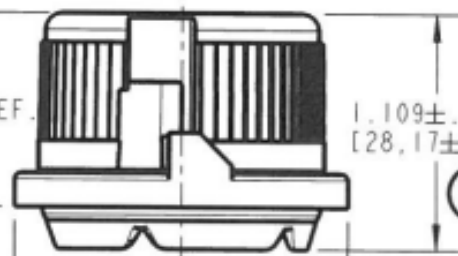


.912±.020 REF.  
[23,17±0,5]

E2

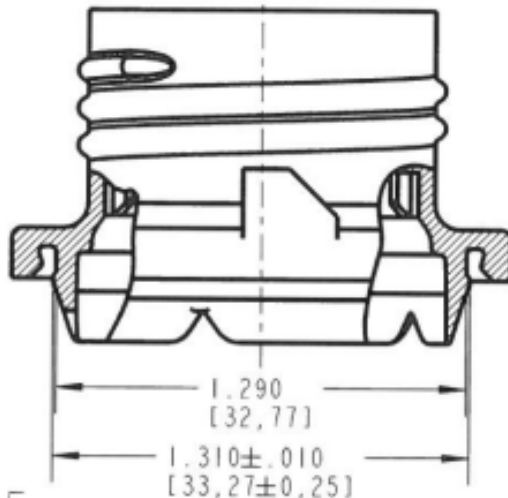
1.109±.020  
[28,17±0,5]

E1



∅ 1.57±.01  
[39,9±0,2]

E3

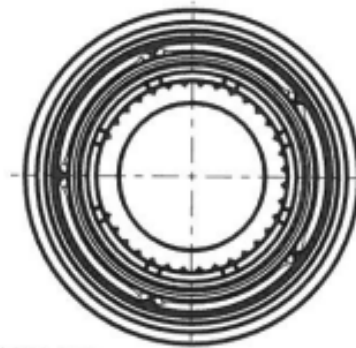


BASE

1.290  
[32,77]

1.310±.010  
[33,27±0,25]

CUSTOMER DRAWING



PRO/E

Material:  
Cap- HDPE  
Base- LDPE

**DISCLAIMER**

THIS INFORMATION IS PROVIDED AS A GENERAL GUIDE, INCLUDING DIMENSIONS. IT IS THE CUSTOMER'S RESPONSIBILITIES TO SELECT THE PROPER CONTAINER FOR PRODUCT AND APPLICATION COMPATIBILITY.

DISTRIBUTED BY:



REF NO.:

DESCRIPTION: