

HEKMAN

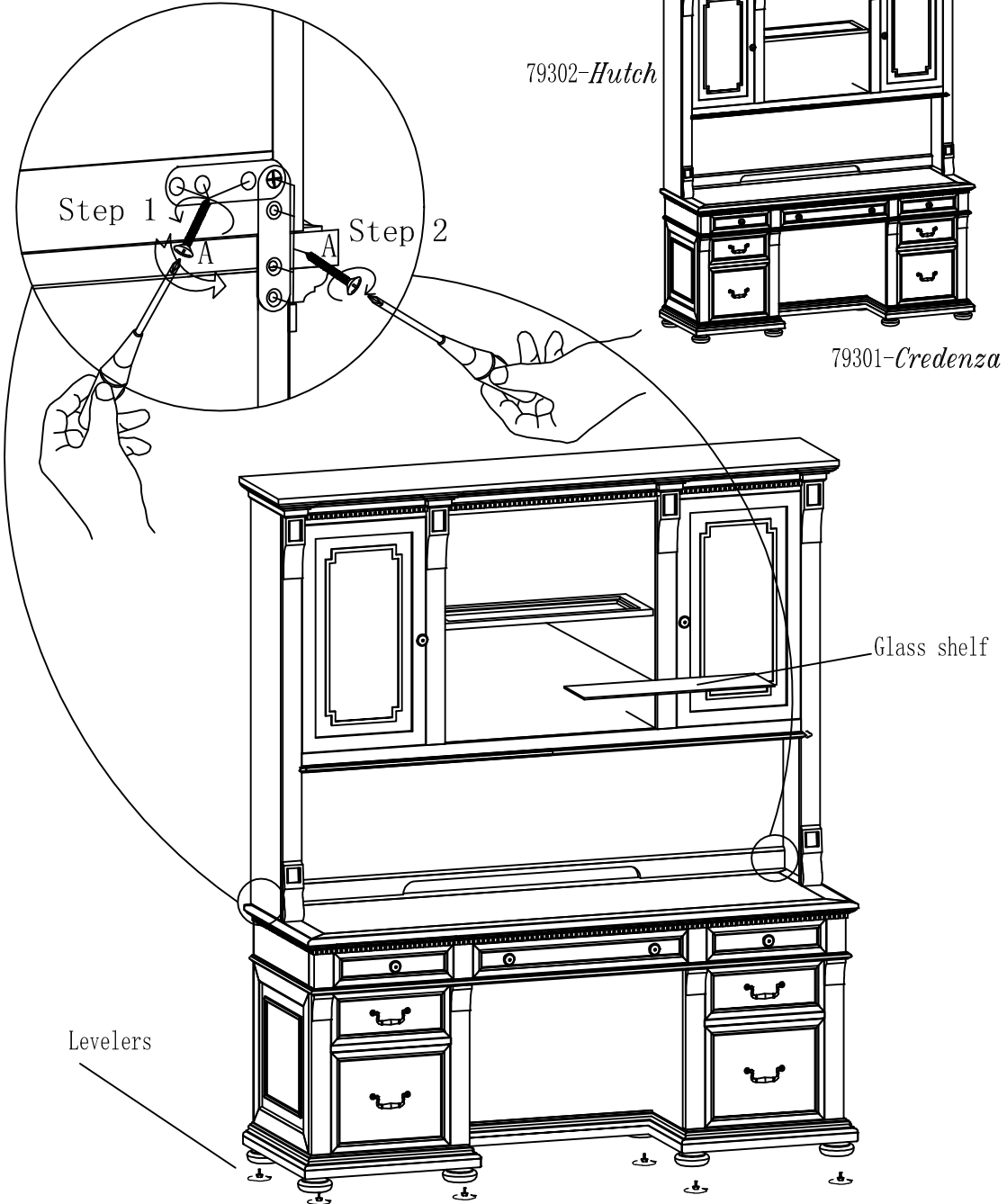
A HOWARD MILLER COMPANY

ASSEMBLY INSTRUCTIONS

79301-Credenza

79302-Hutch

G	Key	2Pcs
---	-----	------



- Step 1: Lay desk on its back and apply felt to bottom edge.
Step 2: Place the Hutch on the Credenza, remove 3 screws (A) and turn mending plate 90 °
Step 3: Then attach the mending plate with the screws (A)

MADE IN VIETNAM