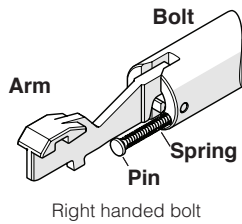
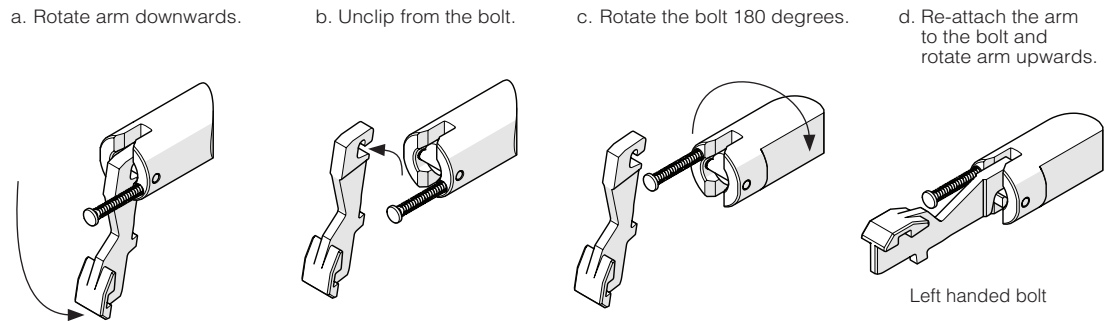


Installation Instructions Trilock Urban - Double Cylinder

Suits 35mm to 45mm Door Thickness

Step 4 (continued)

Re-hand bolt if needed; (Right Hand to Left Hand shown)



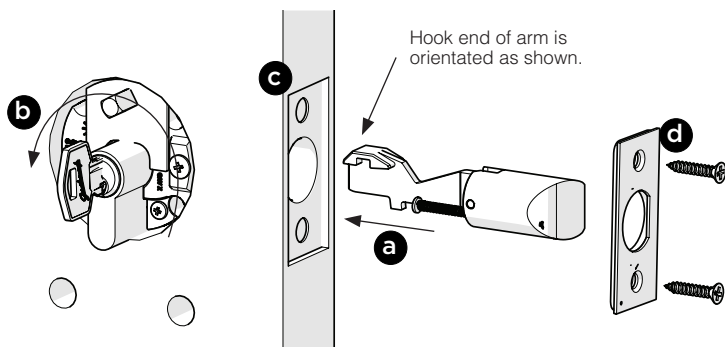
Left handed bolt

Note: Ensure the spring and pin remain in the bolt.

Step 5

Install the bolt

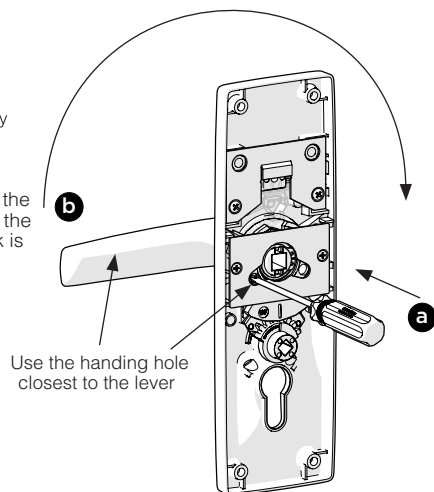
- Insert the bolt assembly into the latch carrier until it stops and a click is heard.
NOTE: the hook end of the arm must be orientated as shown.
- Rotate the key away from the edge of the door and the bolt should retract.
If the bolt does not retract, rotate the key towards the edge of the door and repeat steps a. and b. above.
- Pre-drill the faceplate screws holes.
- Install the faceplate and faceplate screws.



Step 6a

Rehand the Interior Lever (If necessary)

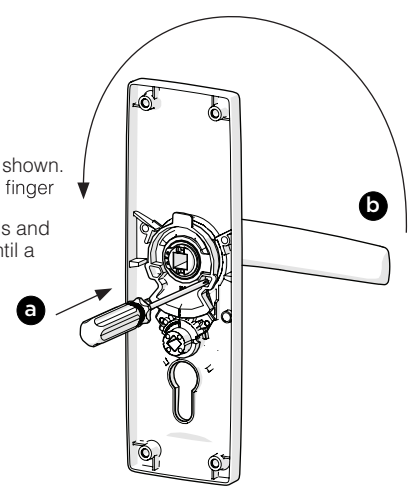
- Push a screwdriver firmly into the handing hole adjacent to the lever.
- While pushing the screwdriver in, rotate the lever upwards and to the other side until a click is heard.



Step 6b

Rehand the Exterior Lever (If necessary)

- Push the handing plate adjacent to the lever as shown. (This can be done with a finger or screwdriver).
- Rotate the lever upwards and over to the other side until a click is heard.



- NOTES:**
- Carefully follow these instructions when installing.
 - Do not overtighten screws.
 - Use of power driver is not recommended for screw installation.
 - Fully remove the Trilock prior to painting the door to avoid damaging the product's finish
 - Suitable door thickness is between 35 and 45mm

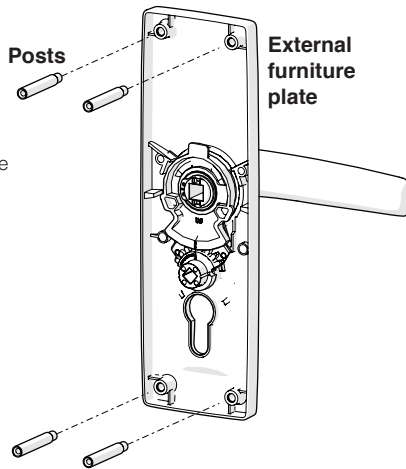
Installation Instructions Trilock Urban - Double Cylinder

Suits 35mm to 45mm Door Thickness

Step 7

Post installation

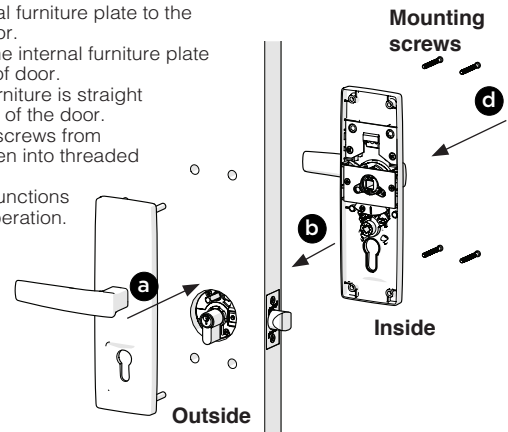
- a. Install posts to external furniture plate, ensuring they are firmly screwed in against the plate.
(This is the furniture plate without the rectangular snib push-button.)



Step 8.

Assemble the furniture to the door.

- a. Mount external furniture plate to the outside of door.
b. Now mount the internal furniture plate to the inside of door.
c. Ensure the furniture is straight on both sides of the door.
d. Fit mounting screws from inside & tighten into threaded posts.
e. Test all lock functions for smooth operation.

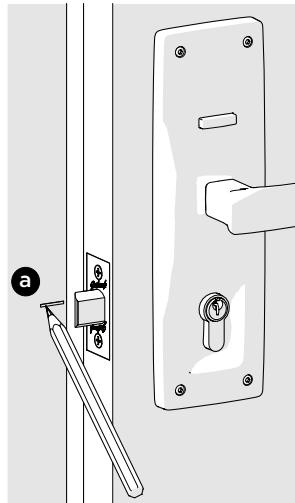


Step 9

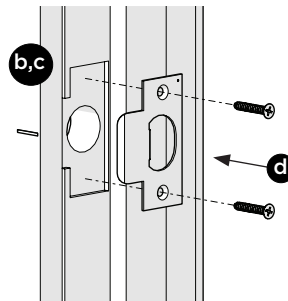
Fit the strike plate.

All door seals must be fitted prior to fitting strike plate.

- a. Position the door so that the centrepoint of the bolt can be marked on door frame.



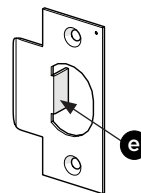
- b. Mark and drill a 25mm hole to a depth of 25mm, at a corresponding height to the bolt.
c. Mark and chisel recesses for the strike plate.
d. Screw the strike plate into position using the 2 wood screws supplied.



Door Adjustment

When door is closed using finger pressure, ensure bolt is latching into strike plate.

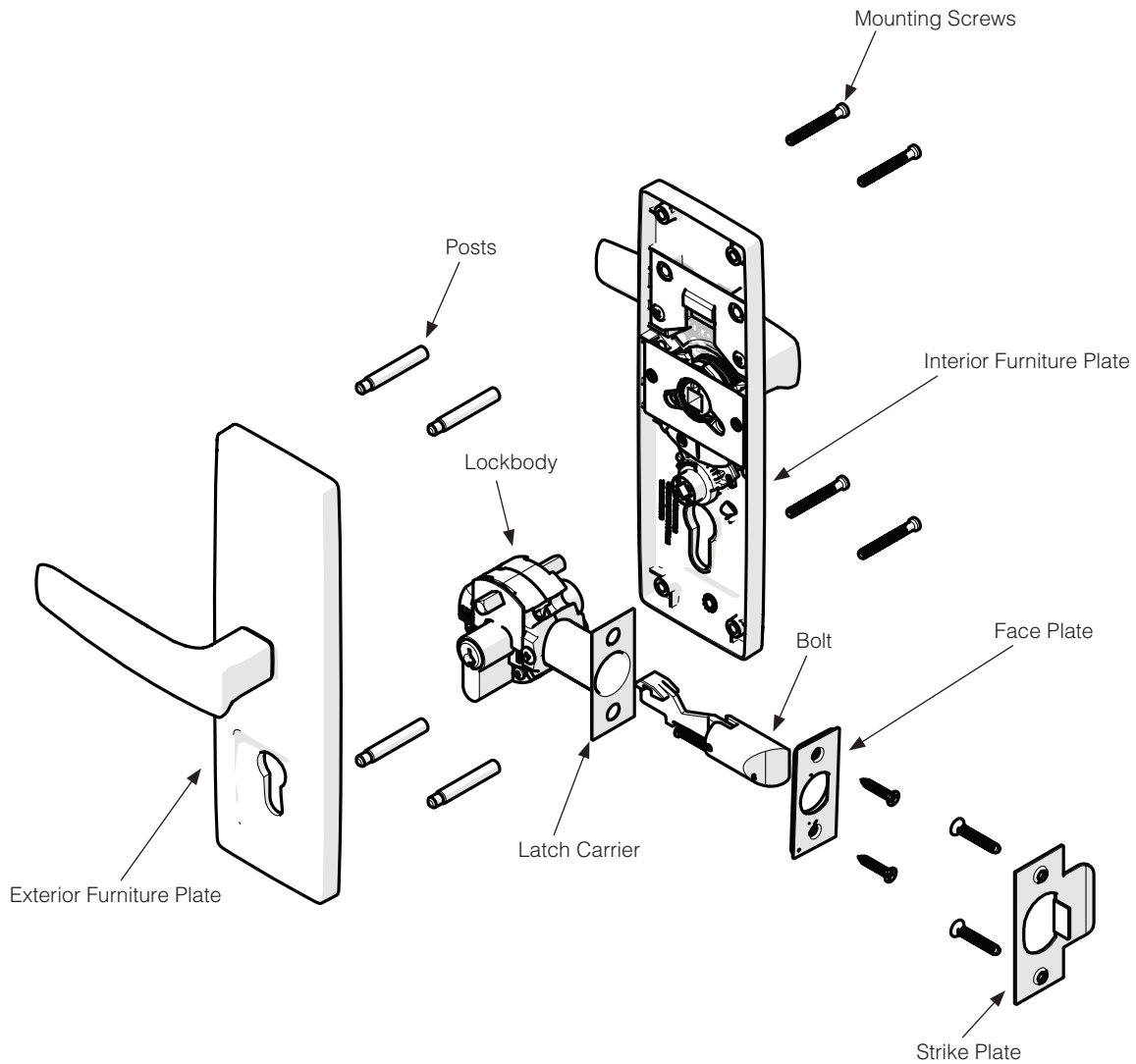
- e. If door is rattling when in latched position. Open door, remove strike plate & adjust anti-rattle tab & refit strike plate to door frame. Check if the door is rattling and adjust again if necessary.



- NOTES:**
- Carefully follow these instructions when installing.
 - Do not overtighten screws.
 - Use of power driver is not recommended for screw installation.
 - Fully remove the Trilock prior to painting the door to avoid damaging the product's finish
 - Suitable door thickness is between 35 and 45mm

Gainsborough

Exploded Diagram
Double Cylinder version



Gainsborough



URBAN

TRILOCK
DEADBOLT | LOCKSET | PASSAGE SET