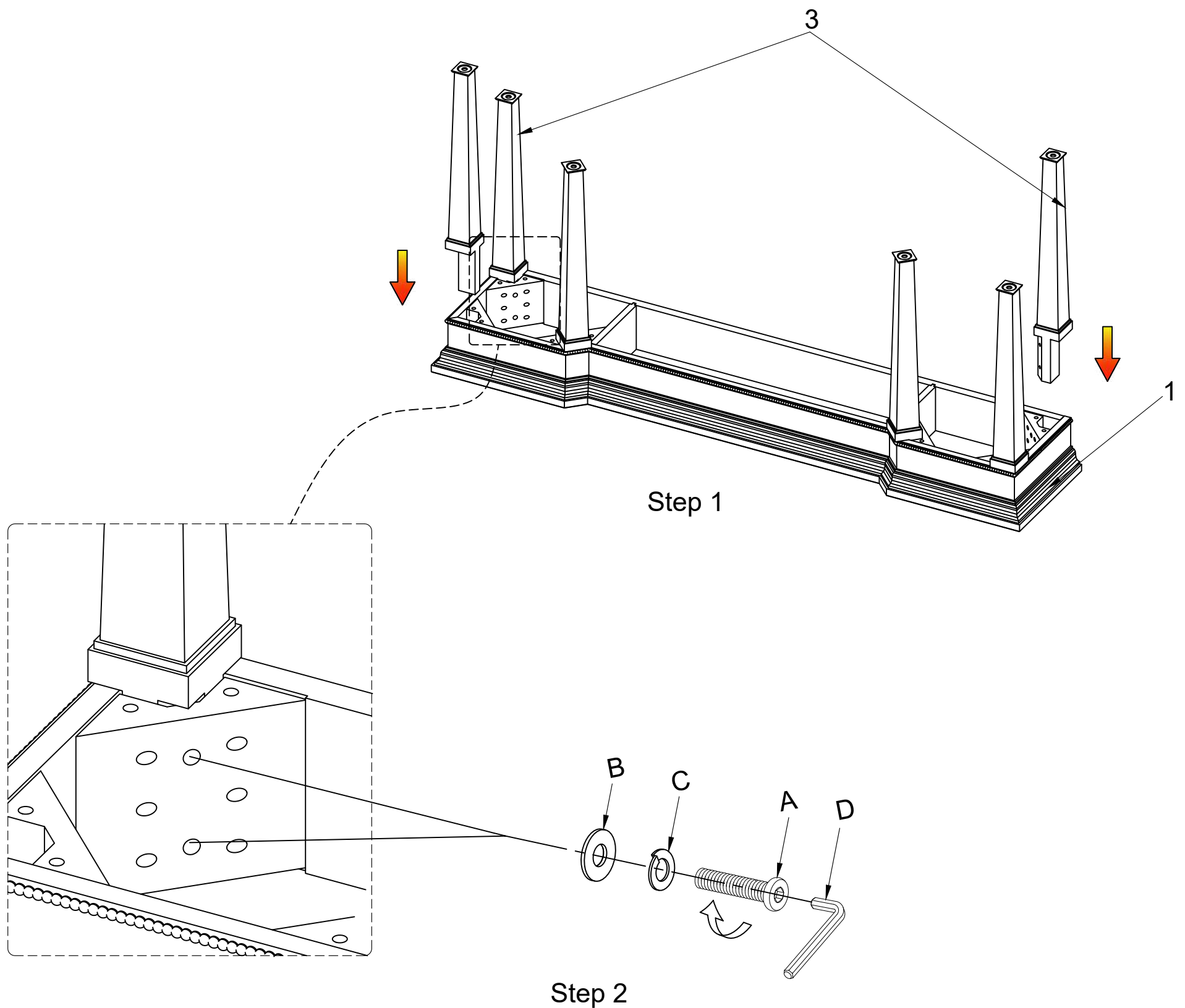


Thank you for purchasing this quality product from A.R.T. Furniture. Be sure to check all packing material for parts which may have come loose inside the carton during shipment. Identify and count all parts and compare with the parts list below.

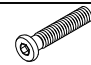
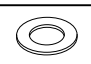

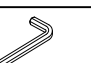
**Note:** Some furniture is heavy, it is recommended that two people assembly this item to avoid injury or damage.



### PARTS LIST:

No.	Description	Sketch	Q'ty
1	Table Top		1
2	Shelf		1
3	Table leg		6
4	Anti-Tip Restraint Kit		1
5	Short Leg		6

### HARDWARE LIST:

No.	Drawing	Description	Q'ty
A		$\frac{5}{16}$ " x2- $\frac{1}{4}$ " Bolt	12
B		$\frac{5}{16}$ " xØ19x2 Flat washer	12
C		$\frac{5}{16}$ " xØ12x3 Lock washer	12
D		5mm Allen key	1

Thank you for purchasing this quality product from A.R.T. Furniture. Be sure to check all packing material for parts which may have come loose inside the carton during shipment. Identify and count all parts and compare with the parts list below.

**Note:** Some furniture is heavy, it is recommended that two people assembly this item to avoid injury or damage.

