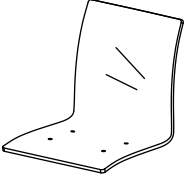
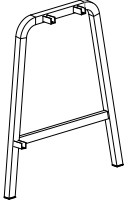
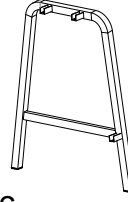

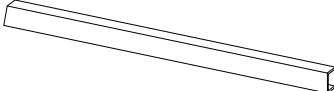
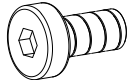
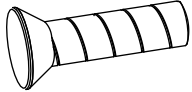
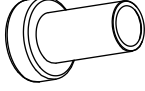

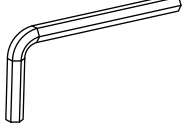
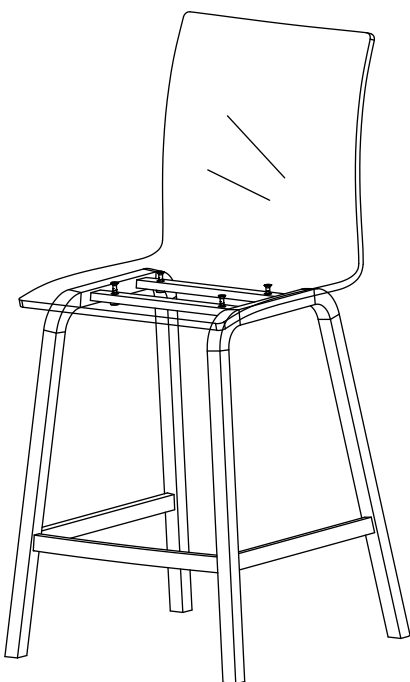


ASSEMBLY INSTRUCTION

FOR STATIONARY ACRYLIC COUNTER HEIGHT CHAIR

TRANSPARENT ACRYLIC 24"H METAL COUNTER HEIGHT CHAIR

A Acrylic Seat  1pc	B Left Side Panel  1pc	C Right Side Panel  1pc	D Top Stretcher  2pcs
E Bottom Stretcher  1pc	F Bolt 1/4" X 1/2"  12pcs	G Bolt 1/4" X 3/4"  4pcs	H Shaft Sleeves 1/4" X 25mm  4pcs
I Lock Washer 5/16"  4pcs	J Allen Wrench 1/4"  1pc		

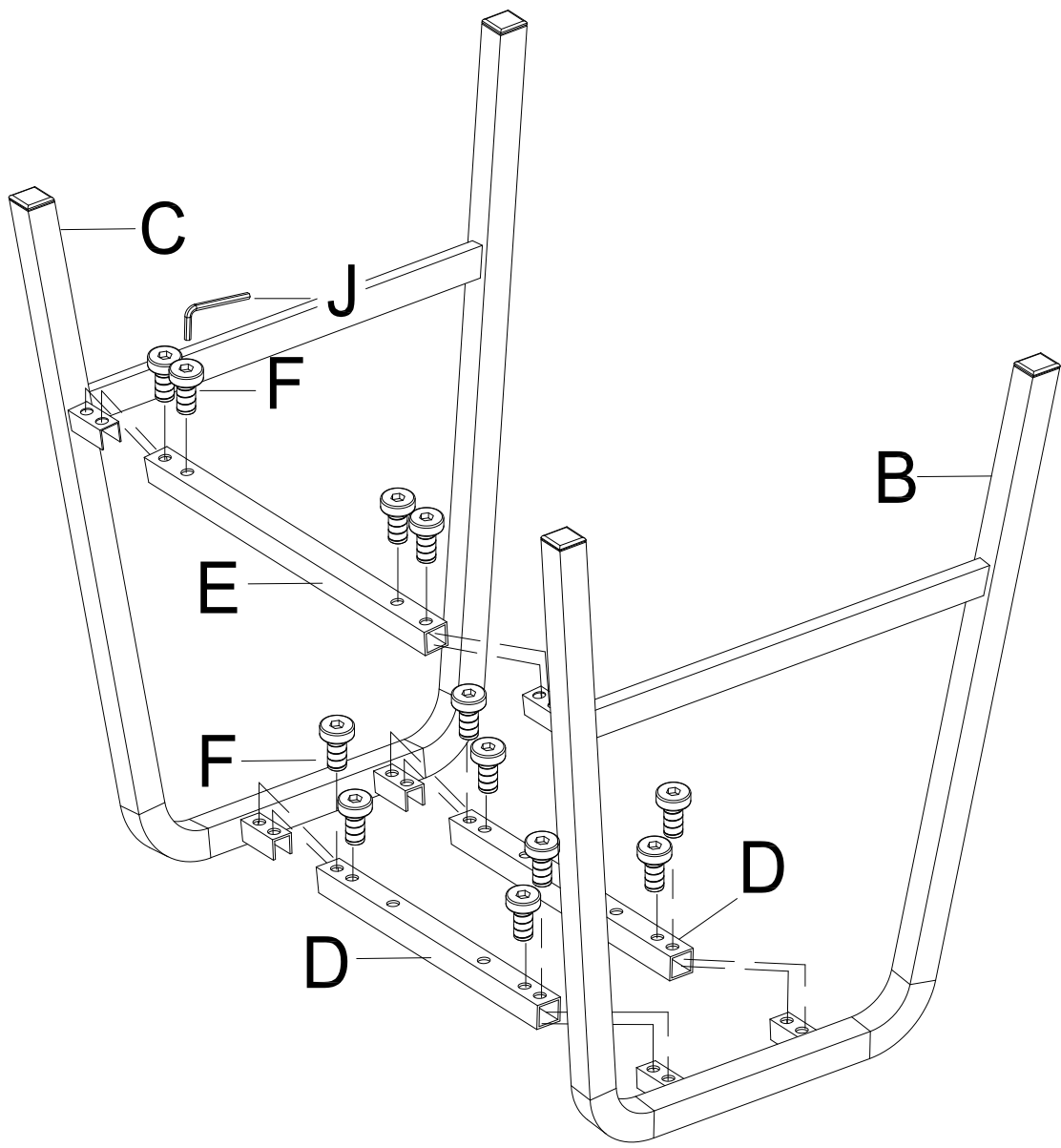


Thank you for purchasing the swivel / stationary convertible acrylic counter height chair. The enclosed assembly instruction will include both the step-by-step guide for using this as a swivel counter height chair as well as a stationary counter height chair. Please keep the assembly instruction and all hardware if you decide to convert the counter height chair in the future.

This page lists all the contents included in the box. Please take the time to identify the hardware as well as the individual components to this product. As you unpack and prepare for assembly, place the contents on a carpeted or padded area to protect them from damage.

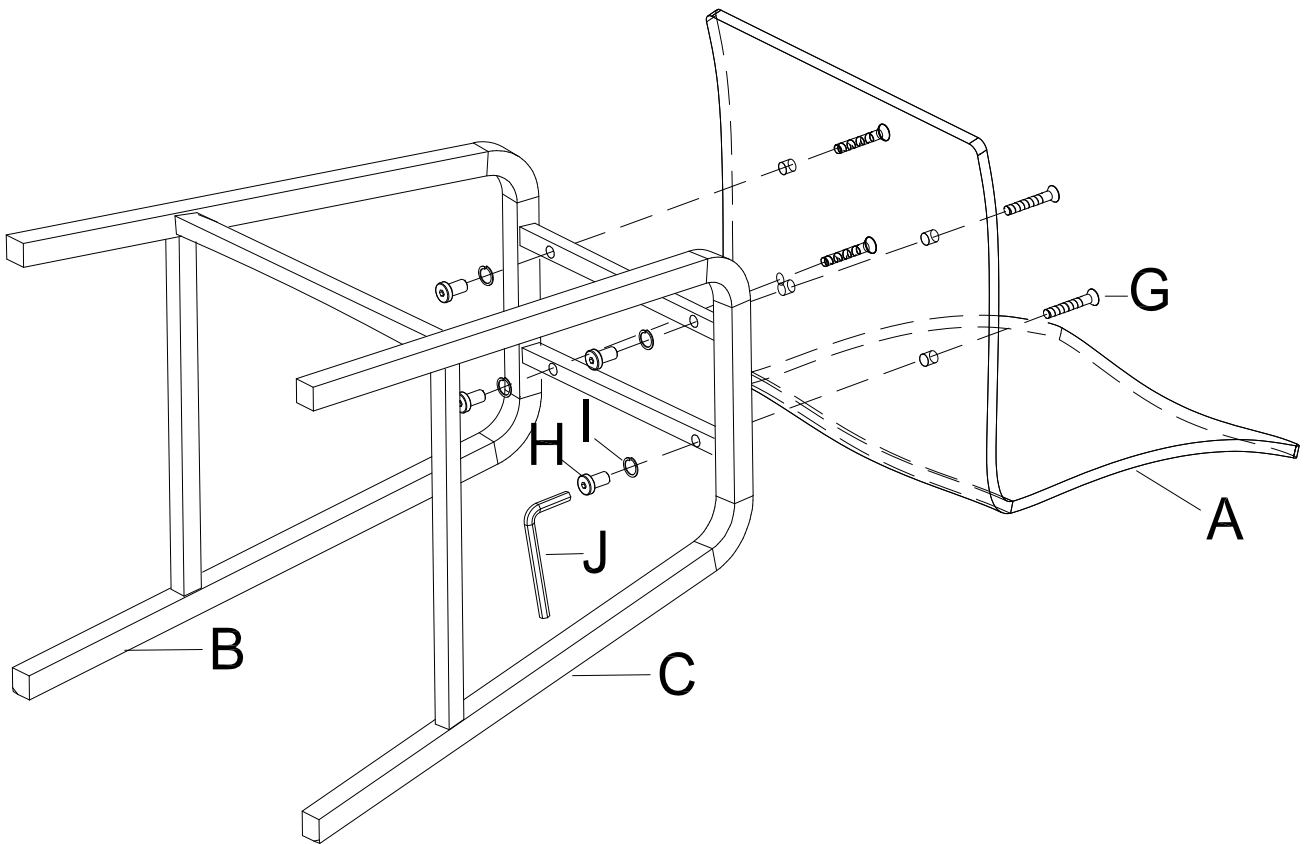
1

Attach left side panel (B) to two top stretchers (D), bottom stretcher (E) and right side panel (C) together using bolt (F) and allen wrench (J) as shown.



2

Attach acrylic seat (A) to assembled metal base by using bolt (G), lock washer (I), shaft sleeves (H) and allen wrench (J) as shown and tighten it.



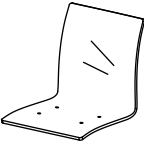
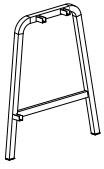
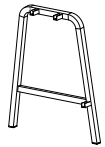

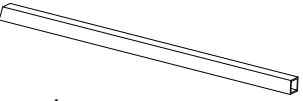
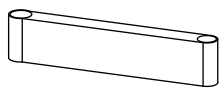

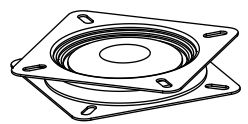
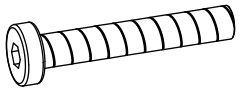
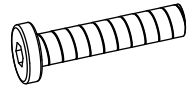
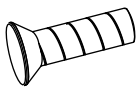
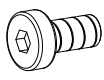
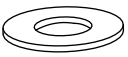


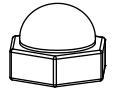
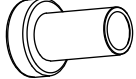
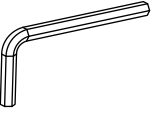
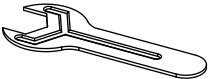
Cleaning & Care

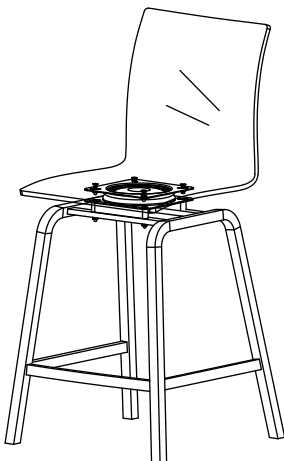
Treat surface with care. Surface is resistant to scratches but is not scratch resistant. Clean surfaces with a dry or damp soft cloth. Do not use abrasive cleaners. Hardware may loosen over time. Periodically check that all connections are tight.

ASSEMBLY INSTRUCTION

FOR SWIVEL ACRYLIC COUNTER HEIGHT CHAIR

TRANSPARENT ACRYLIC 24"H SWIVEL METAL COUNTER HEIGHT CHAIR

A Acrylic Seat  1pc	B Left Side Panel  1pc	C Right Side Panel  1pc	D Top Stretcher  2pcs
E Bottom Stretcher  1pc	F Large Metal Plate  1pc	G Small Metal Plate  1pc	H Swivel  1pc
I Bolt 1/4" X 1-3/4"  2pcs	J Bolt 1/4" X 1-1/2"  2pcs	K Bolt 1/4" X 3/4"  4pcs	L Bolt 1/4" X 1/2"  12pcs
M Flat Washer 1/4"  4pcs	N Large Lock Washer 5/16"  4pcs	O Small Lock Washer 1/4"  4pcs	P Nut 1/4"  4pcs
Q Shaft Sleeves 1/4" X 25mm  4pcs	R Allen Wrench 1/4"  1pc	S Open Wrench 1/4"  1pc	

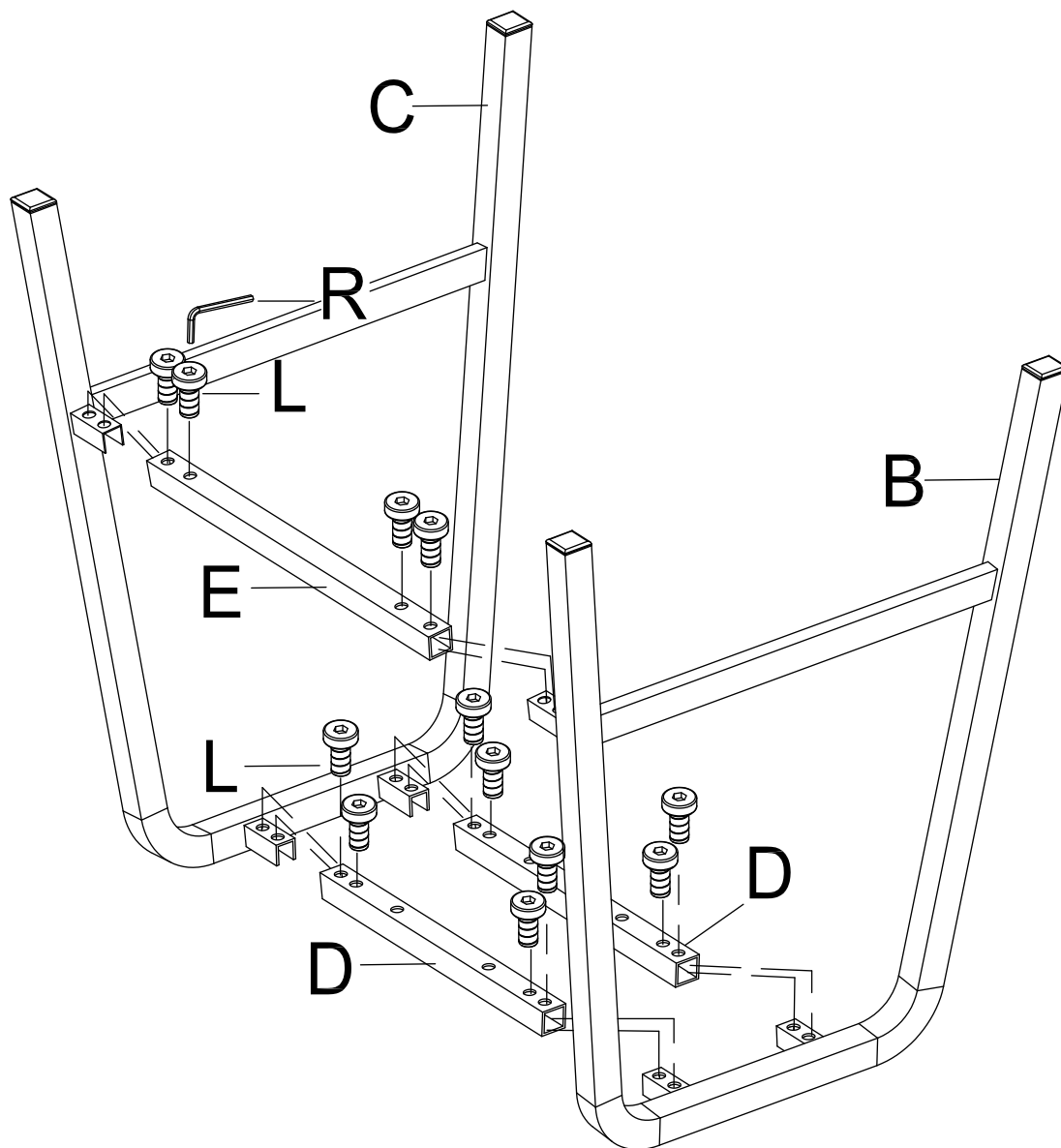


Thank you for purchasing the swivel / stationary convertible acrylic counter height chair. The enclosed assembly instruction will include both the step-by-step guide for using this as a swivel counter height chair as well as a stationary counter height chair. Please keep the assembly instruction and all hardware if you decide to convert the counter height chair in the future.

This page lists all the contents included in the box. Please take the time to identify the hardware as well as the individual components to this product. As you unpack and prepare for assembly, place the contents on a carpeted or padded area to protect them from damage.

1

Attach left side panel (B) to two top stretchers (D), bottom stretcher (E) and right side panel (C) together using bolt (L) and allen wrench (R) as shown.

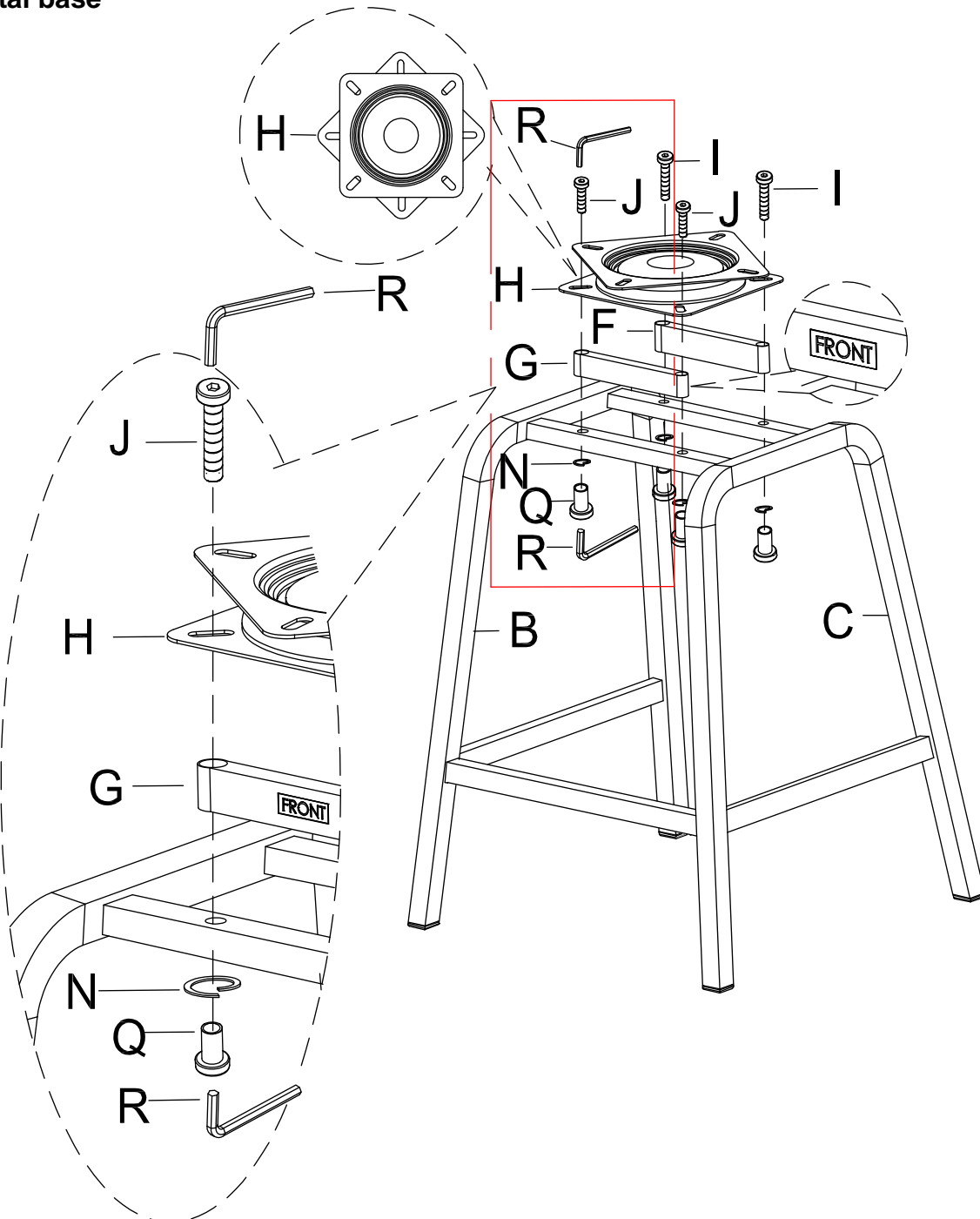


2

Insert bolt (J) into swivel (H), small metal plate (G), assembled metal base, large lock washer (N) and shaft sleeves (Q), then use allen wrench (R) to fasten bolt (J) and shaft sleeves (Q) as shown.

Insert bolt (I) into swivel (H), large metal plate (F), assembled metal base, large lock washer (N) and shaft sleeves (Q), then use allen wrench (R) to fasten bolt (I) and shaft sleeves (Q) as shown.

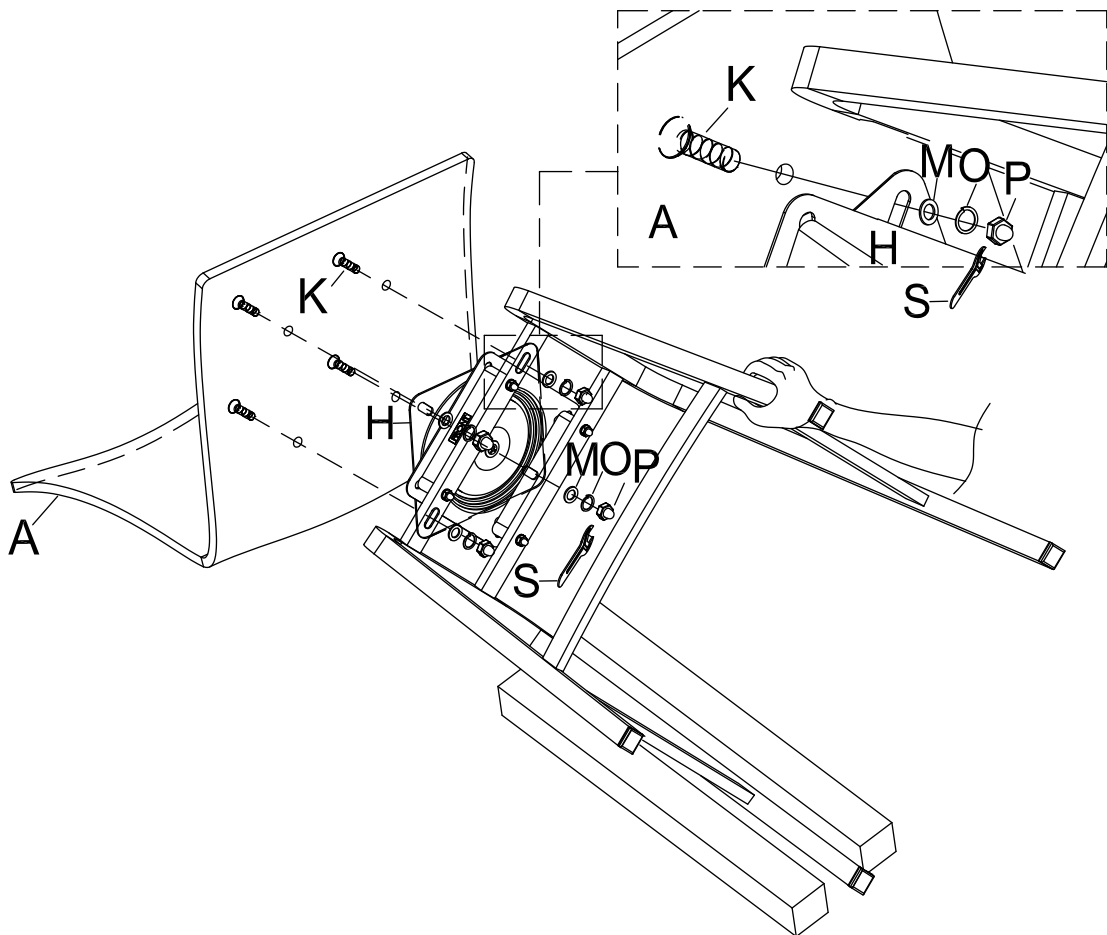
**** NOTICE: Small Metal Plate (G) must to be attached to the front hole of assembled metal base ****



3

This step needs to fix assembled metal base to 45 degree angle by using something or someone to hold it.

Insert bolt (K) into acrylic seat (A), swivel (H), flat washer (M), small lock washer (O) and nut (P), then use open wrench (S) to fasten nut (P) as shown and tighten it.



Cleaning & Care

Treat surface with care. Surface is resistant to scratches but is not scratch resistant. Clean surfaces with a dry or damp soft cloth. Do not use abrasive cleaners. Hardware may loosen over time. Periodically check that all connections are tight.