

**20A, 125V, 2 Pole, 3 Wire Grounding  
Spring Termination Single Flush Receptacle**

**Features**

- Faster termination time
- No need for screwdriver and torque wrench
- Spring Termination eliminates strand relaxation
- High-impact, abuse-resistant nylon face
- Face color coding by voltage facilitates locating and mating of proper devices



20A 125V  
NEMA L5-20R  
UL/CSA  
1 HP



**Ordering Information**

Description	Device Color	UPC	Catalog Number
Nylon face, back wire.	Black	783585569543	HBL2310ST

**Listings**

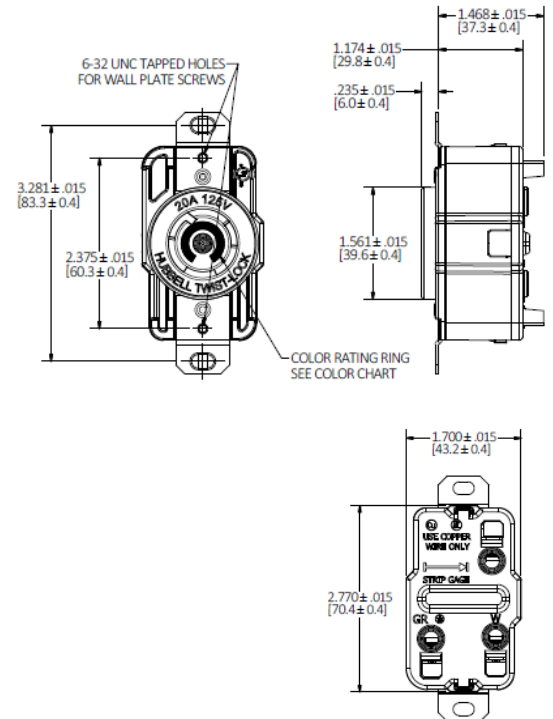
Listed to UL 498  
Certified to CSA C22.2 No.42

**Specifications**

Face	Nylon
Base	Nylon
Contacts	Brass
Spring	Steel
Mounting Strap	Brass

**Performance**

Electrical	
Current Interrupting	Certified for current interrupting at full rated current
Dielectric Voltage	Withstands 2,000V minimum
Mechanical	
Terminal Accommodation	14 AWG - 10 AWG solid, 14 AWG - 8 AWG stranded (including compact stranded)
Terminal Identification	Terminals identified in accordance with UL 498
Environmental	
Flammability	V2 or better per UL94/CSA 22.2 No.0.17
Moisture Resistance	IP20 Suitability
Operating Temperatures	Maximum Continuous 75°C; Minimum -40°C (w/o impact)



**Complementary Products**

Plug	HBL2311
Wallplate or Weatherproof Cover	1.60" Opening
Switched Enclosure	SETL3

**Online Resources**

Customer Use Drawing  
eCatalog  
Installation Instructions