

# Combustion Fan REPLACEMENT INSTRUCTIONS

Kit Name	Combustion Fan Replacement Kit
Kit Part Number	108000130
Compatible Rinnai Products	For use with SENSEI RX/CX Condensing Tankless Water Heaters

**⚠ WARNING** Failure to correctly assemble the components according to these instructions may result in electric shock, injury, or death.

**⚠ CAUTION** To protect yourself from harm, follow the steps below before proceeding:

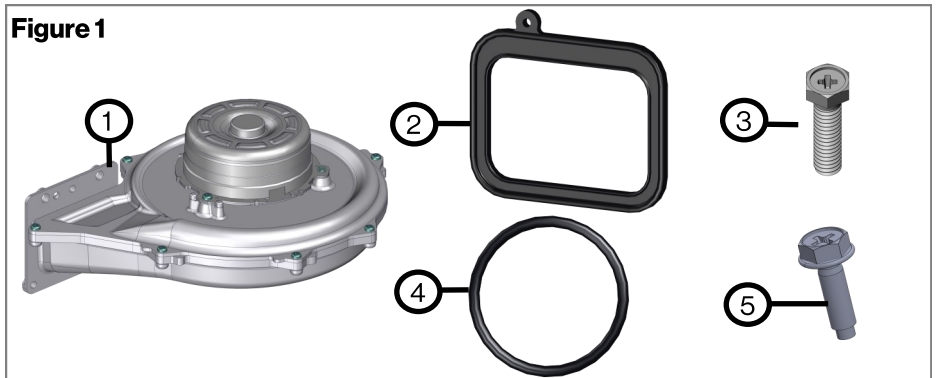
- Turn off the electrical power supply by unplugging the power cord or by turning off the electricity at the circuit breaker. (The temperature controller does not control the electrical power.)
- Turn off the gas at the manual gas valve, usually located immediately below the water heater.
- Turn off the incoming water supply. This can be done at the isolation valve immediately below the water heater or by turning off the water supply to the building.

## Items Inside Product Box

Before you begin, please make sure all parts are located inside the product box

Table 1

Item #	Item	Qty
1	Combustion Fan	1
2	Fan Mount Packing	1
3	Hexagon Head Screw	3
4	Large O-ring	1
5	Screw	4



### TOOLS/MATERIALS REQUIRED

- Phillips head screwdriver

## Instructions

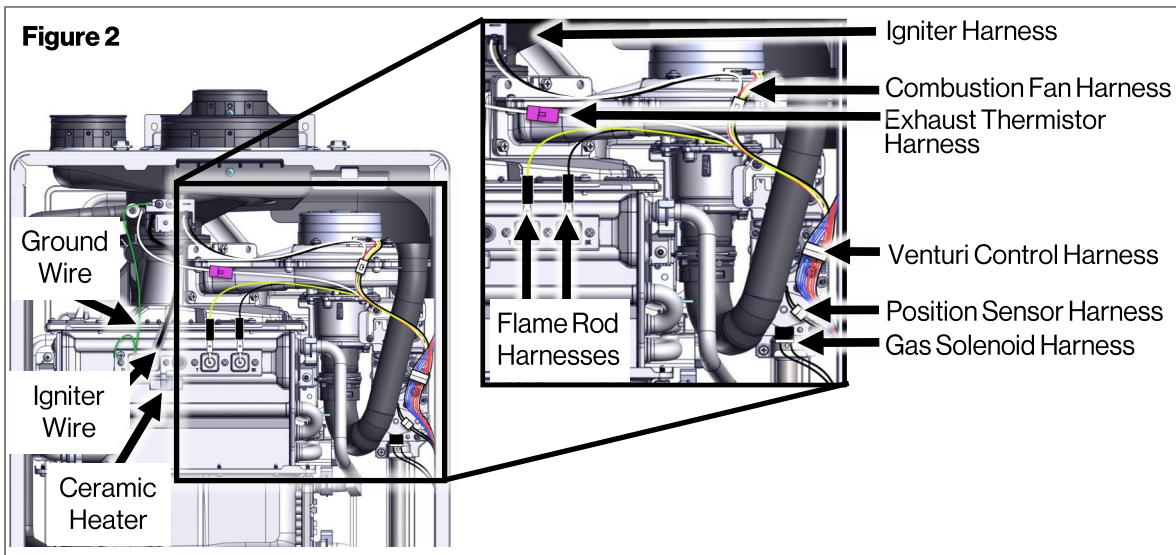
### ➔ IMPORTANT

When following the instructions in this document, inspect any existing O-rings carefully, taking care not to scratch, damage, or misplace the O-rings.

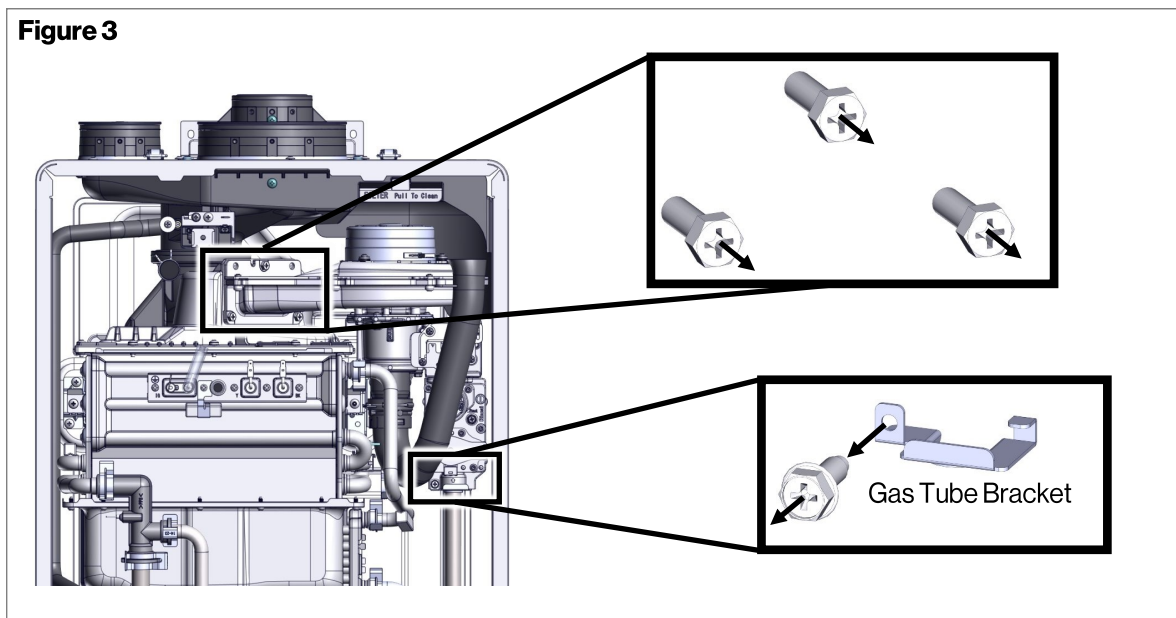
### Step 1: Disassemble Unit and Replace Gas Valve

1. Turn off and disconnect 120 V power supply, water supply and gas supply.

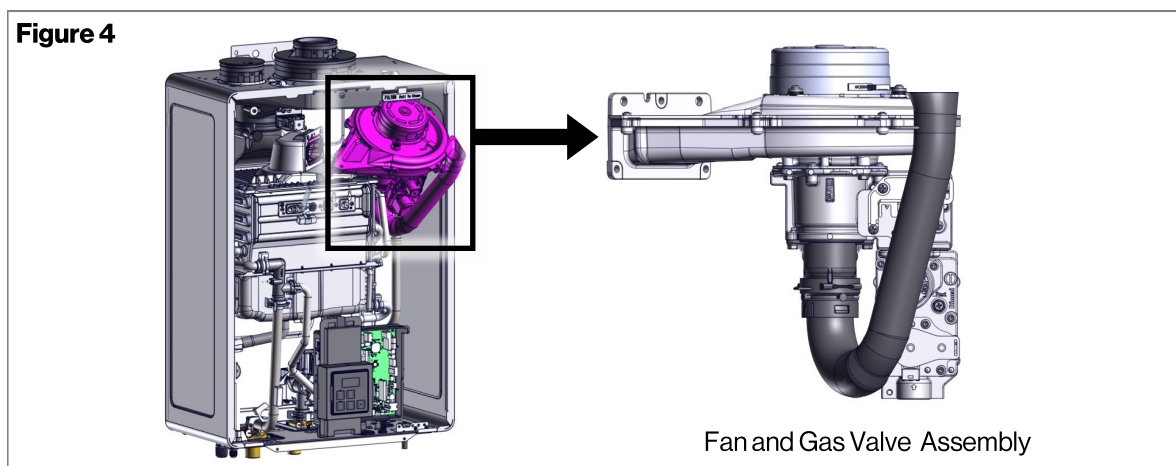
- Remove front panel by removing two screws and releasing two latches (refer to water heater installation and operation manual for detailed instructions).
- Disconnect combustion fan harness, venturi control harness, position sensor harness, gas solenoid harness, exhaust thermistor harness, igniter harness, and flame rod harnesses (Figure 2).



- Remove screw from gas tube bracket. Rotate and remove gas tube bracket from gas valve. Remove screws around perimeter of fan mounting flange. Remove two bottom screws first and top screw last (Figure 3). Hold the gas pipe and the gas valve assembly, and pull down the gas pipe so that the gas valve assembly is disconnected from the gas pipe.

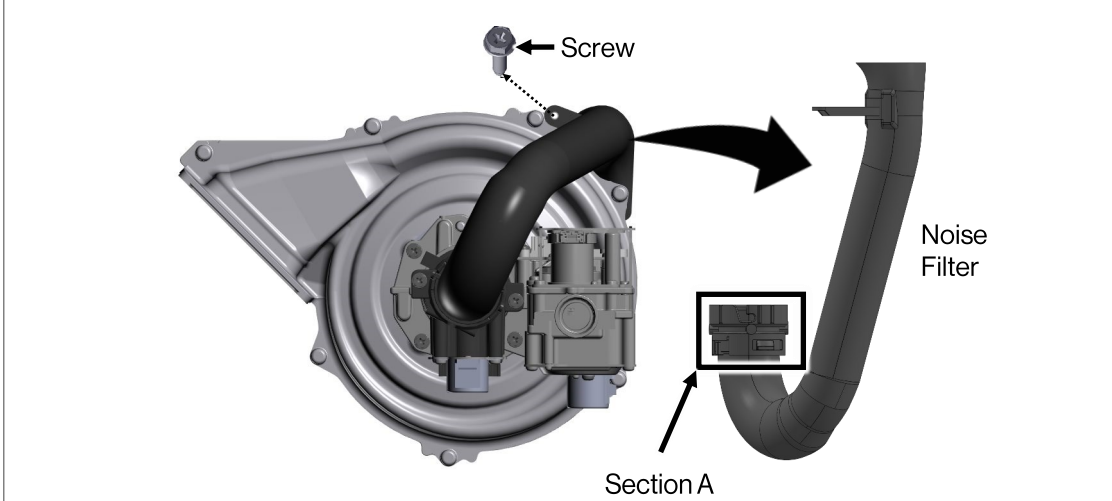


- Lift fan and gas valve assembly upward, then rotate forward to remove fan and gas valve assembly. Remove fan motor packing and replace with packing provided in kit (Figure 4). **Note: Noise filter is fragile. Do not hold the noise filter or apply strong force to the noise filter.**



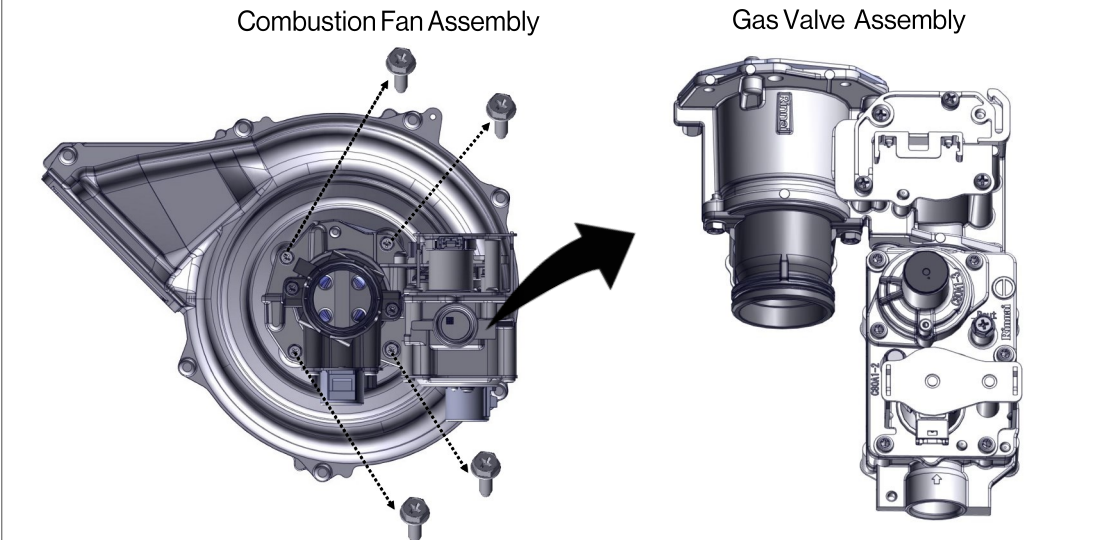
6. Remove screw from noise filter, rotate section A of noise filter clockwise and remove noise filter from gas valve assembly (Figure 5). Note: **Noise filter is fragile. Do not hold the noise filter or apply strong force to the noise filter.**

**Figure 5**



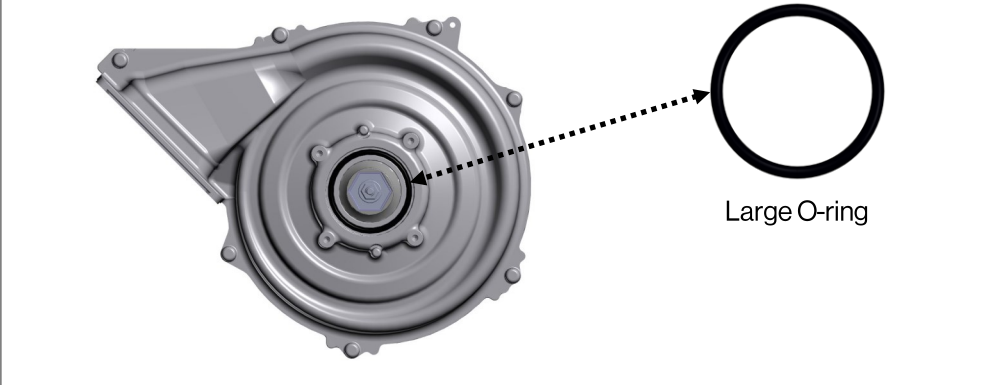
7. Remove four screws around perimeter of gas valve assembly from combustion fan assembly (Figure 6). **Note:** The screw removed at step 6 is different from the screws removed in this step.

**Figure 6**



8. Replace large O-ring from bottom of fan (gas valve connection location) with new large O-ring provided in this kit (Figure 7).

**Figure 7**



9. Continue with next section: "Step 2: Reassemble Unit."

## Step 2: Reassemble Unit

1. Confirm the o-ring is properly installed, and install new combustion fan assembly onto gas valve assembly using four new screws provided in this kit (Figure 6).
2. Install noise filter to gas valve assembly, rotate section A of noise filter counter clockwise and secure with screw removed in step 6 (Figure 5).
3. Remove an existing fan motor packing, and install a new fan motor packing provided in this kit. Install fan and gas valve assembly back into unit (Figure 4).
4. Hold the gas pipe and the gas valve assembly and push up the gas pipe so that the gas pipe and the gas valve assembly are connected. Insert three new screws around perimeter of fan mounting flange. Secure two bottom screws first, and top screw last. Install gas tube bracket to gas valve. Secure screw to gas tube bracket (Figure 3).
5. Reconnect combustion fan harness, venturi control harness, position sensor harness, gas solenoid harness, igniter harness and flame rod harnesses (Figure 2).
6. Reconnect and turn on 120 V power supply, water supply, and gas supply.
7. Perform leak detection on test for gas.
8. Once all check have been successfully completed, reinstall the from panel using the two screws and two latches to secure it.

U362-0955(00)  
100000856  
1/2024