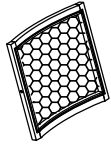


ASSEMBLY INSTRUCTION

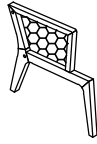
ACCENT CHAIR

A Back Frame



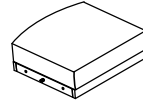
1pc

B Left Arm Frame



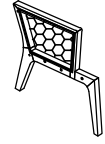
1pc

C Seat



1pc

D Right Arm Frame



1pc

E Bolt
Ø1/4"x1-1/2"



8pcs

F Lock Washer
Ø1/4"x10mm



8pcs

G Flat Washer
Ø1/4"x12mm



4pcs

H Flat Washer
Ø1/4"x19mm



4pcs

I Allen Key
M4

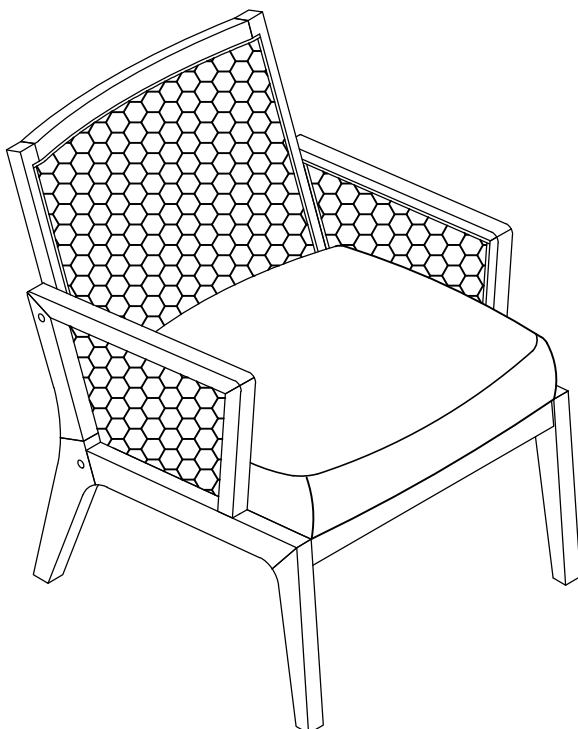


1pc

J Wood Plug
Ø14x9mm



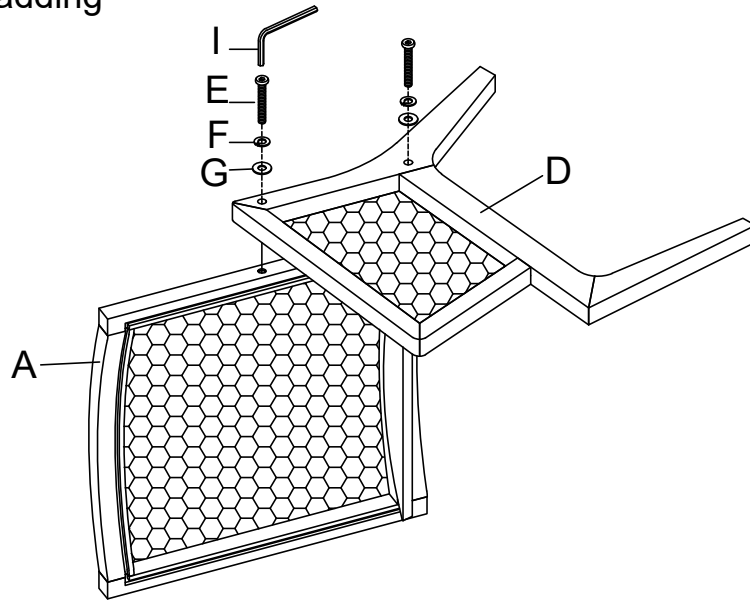
4pcs



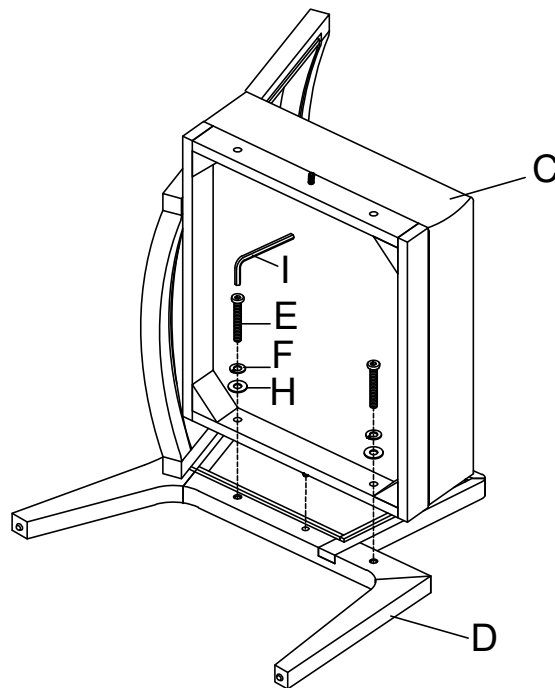
This page lists all the contents included in the box. Please take the time to identify the hardware as well as the individual components to this product. As you unpack and prepare for assembly, place the contents on a carpeted or padded area to protect them from damage.

-
- 1** Attach Right Arm Frame (D) to Back Frame (A), using Bolt (E), Lock Washer (F) & Flat Washer (G) by Allen Key (I) as below shown.

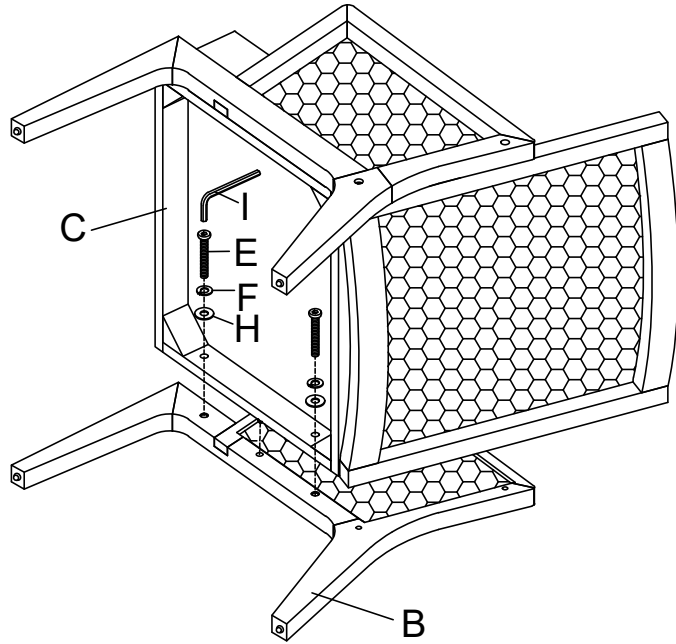
Take the Allen Key, and turn the bolts until the legs are secure.
DO NOT TIGHTEN COMPLETELY.
Stop when you feel you are adding force to tighten the bolt.



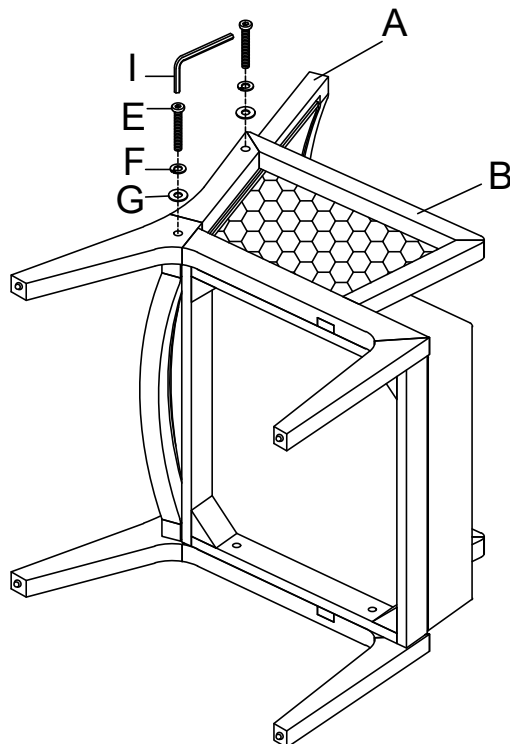
-
- 2** Attach Seat (C) to Right Arm Frame (D), using Bolt (E), Lock Washer (F) & Flat Washer (H) by Allen Key (I) as below shown.



- 3** Attach Seat (C) to Left Arm Frame (B), using Bolt (E), Lock Washer (F) & Flat Washer (H) by Allen Key (I) as below shown.



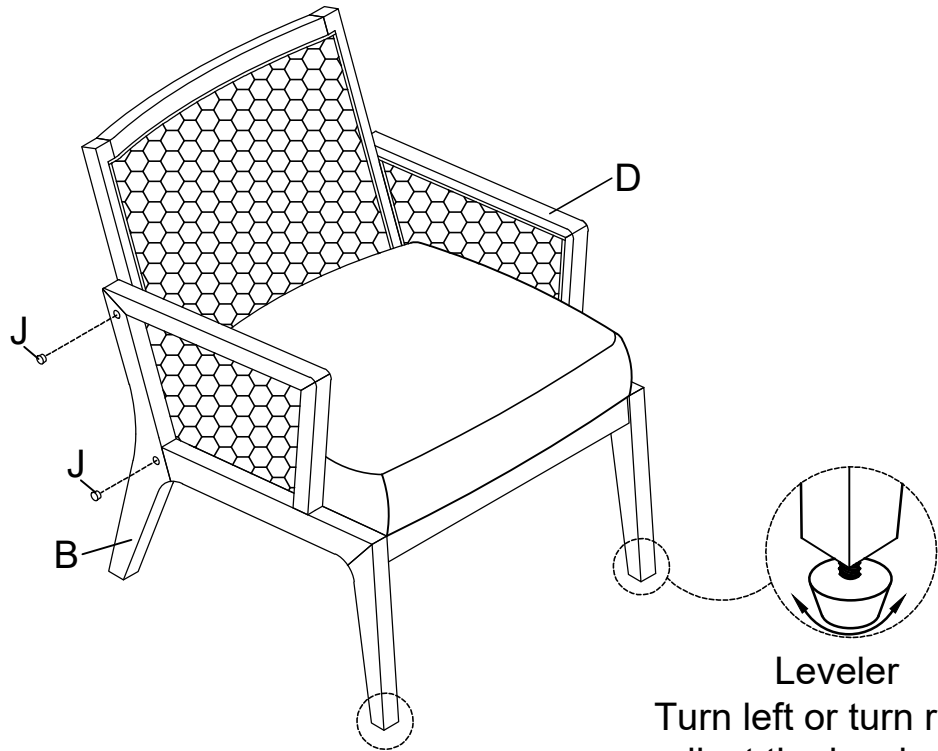
- 4** Assemble Left Arm Frame (B) with Back Frame (A), using Bolt (E), Lock Washer (F) & Flat Washer (G) by Allen Key (I) as below shown.



5 Attach Wood Plug (J) to Left Arm Frame (B) & Right Arm Frame (D) to cover the bolts as below shown.

Stand chair up on an even surface and check that it is balanced. If there is a slight wobble, apply downward pressure in the corner where a leg is uneven. Keeping pressure in that corner, tighten all bolts. If balanced, apply downward pressure evenly in the center and tighten all bolts. Do not over-tighten beyond hole depth.

Helpful Tip:
-Instead of applying downward pressure while reaching under to tighten bolts, have someone sit in the chair while you tighten the bolts.



Leveler
Turn left or turn right to adjust the leveler until the chair is stabilized.

Cleaning & Care

Treat surface with care. Surface is resistant to scratches but is not scratch resistant. Clean surfaces with a dry or damp soft cloth. Do not use abrasive cleaners. Hardware may loosen over time. Periodically check that all connections are tight.