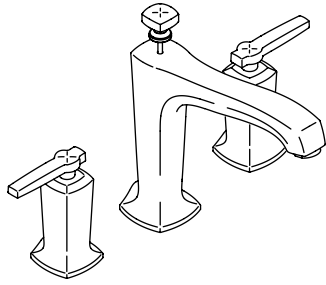


Installation Guide

High-Flow Bath Faucet Trim

K-T16236

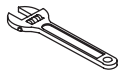


M product numbers are for Mexico (i.e. K-12345**M**)
Los números de productos seguidos de
M corresponden a México (Ej.
K-12345**M**)
Français, page "Français-1"
Español, página "Español-1"

THE BOLD LOOK
OF **KOHLER**®

1054811-2-B

Tools and Materials



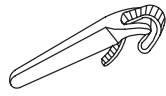
Adjustable
Wrench



Hex Wrench
5/32"



Plumbers
Putty

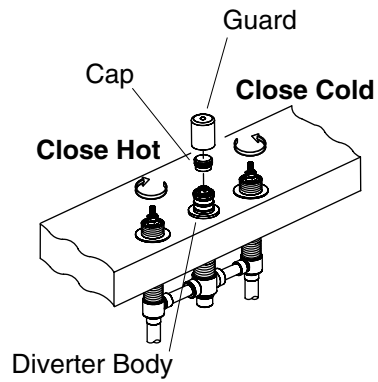


Strap
Wrench

Plus:
• Rags

Before You Begin

- Observe all local plumbing and building codes.
- Shut off the water supply.
- Install the required valves, K-438-K-NA or K-P438-K-NA, prior to installing the product. Refer to the installation instructions packed with the valves.
- Kohler Co. reserves the right to make revisions in the design of faucets without notice, as specified in the Price Book.



1. Remove the Guard and Cap

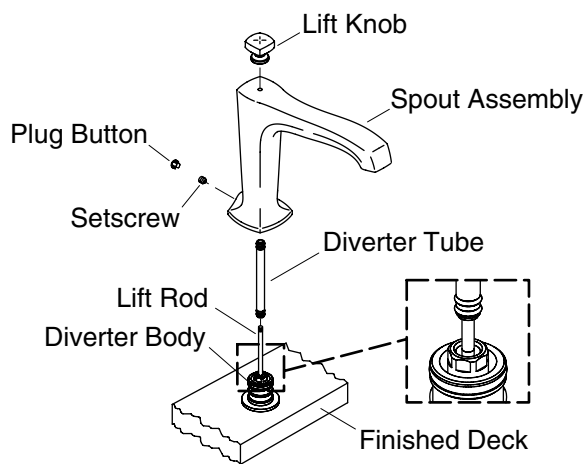
- Make sure the valves are closed (cold = fully counterclockwise; hot = fully clockwise).
- Turn off the main water supply.
- Remove and discard the guard.



WARNING: Risk of personal injury. Do not lean over the pipe plug when turning or removing the pipe plug. The water supply lines may be pressurized, causing water to spray or purge when removing the pipe plug.

NOTICE: Water may spray from the diverter body when you remove the cap.

- Wrap a rag around the cap to prevent water spray.
- Carefully remove and discard the cap.

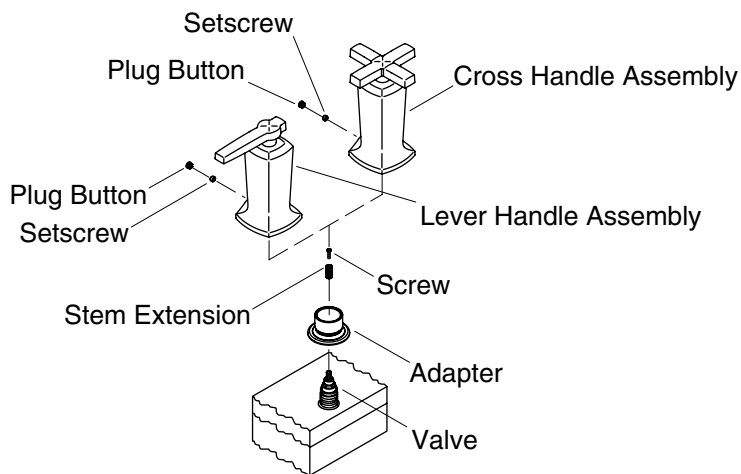


2. Install the Spout

NOTICE: To avoid damage to the O-ring on the diverter body, keep the diverter tube clean.

TIP: To easily install the lift rod, lift up and hold the stem with a pair of pliers.

- Fully insert the lift rod into the stem of the diverter body.
- Install the diverter tube over the lift rod and into the diverter body.
- Loosen the setscrew on the spout assembly until it is clear of the inside wall of the spout.
- Apply a ring of plumbers putty or other sealant around the underside of the spout base according to the sealant manufacturer's instructions.
- Position the spout over the diverter tube, then carefully press down until the spout contacts the finished deck.
- Rotate the spout until it is aligned to face straight forward.
- Retighten the setscrew.
- Push the plug button into place over the setscrew.
- Install the lift knob onto the lift rod.
- Remove any excess plumbers putty or sealant.

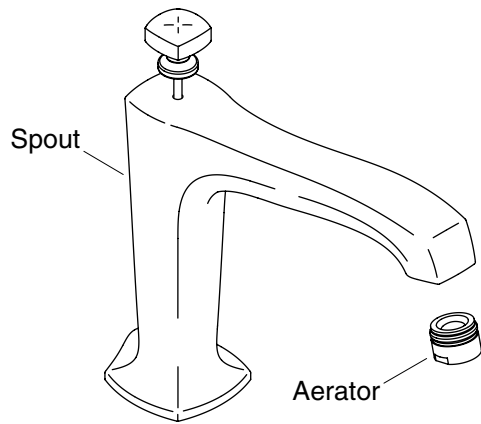


3. Install the Handles

- Apply a bead of plumbers putty or other sealant around the bottom of each adapter according to the sealant manufacturer's instructions.
- Thread an adapter onto each valve.
- Install a stem extension onto each valve, then securely tighten with a screw.

NOTE: For lever handle assemblies: The lever handle must point away from the spout when in the closed position.

- With the setscrew hole facing toward the wall, fit a handle assembly over each valve.
- Tighten each handle assembly in place with a setscrew.
- Press a plug button over each setscrew.
- Remove any excess plumbers putty or sealant.



4. Complete the Installation

- Ensure that both handles are turned off (hot = clockwise, cold = counterclockwise).
- Make sure that all connections are tight.
- Remove the aerator.
- Turn on the main water supply and check for leaks.
- Turn on the hot and cold valves and run water through the spout to remove debris. Check for leaks.
- Confirm proper diverter operation.
- Turn the handles to the off position and then back to the on position. Verify that the water flow is diverted back to the spout.
- Turn the handles to the off position.
- Remove any debris from the aerator.
- Reinstall the aerator.