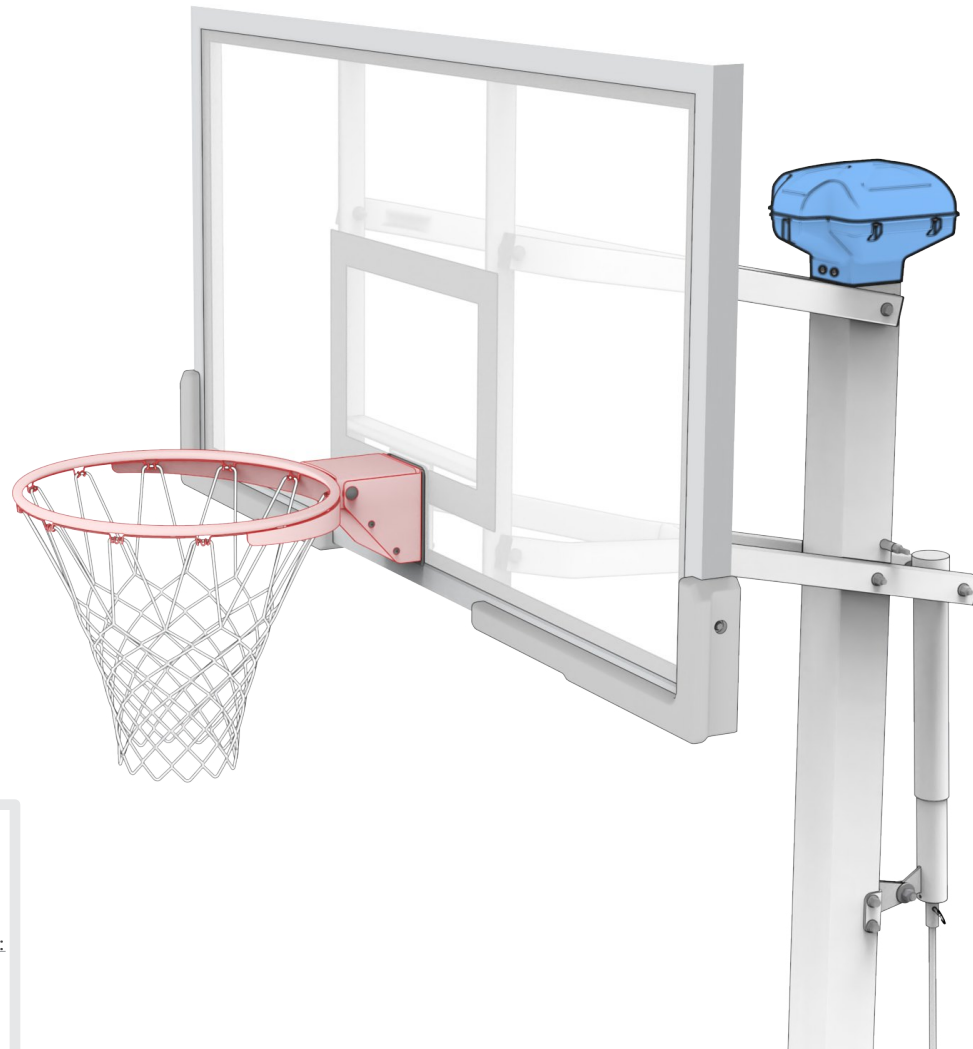




STATIC SHOT

MODEL NO.  
Silverback: **B5350W**

MODEL NO.  
Goalith: **B7035W**



**Please Do Not Return This Product to the Store!**

Contact Escalade® Sports customer service department at:  
Phone: 1-800-467-1421  
Fax: 1-866-873-3536  
E-mail: [basketball@escaladesports.com](mailto:basketball@escaladesports.com)



Escalade® Sports products may be manufactured and/or licensed under the following patents.  
6120397, 5816957, 5769744, 5119741, 4911085, 4717157, D460140, D420563, 8414431  
Additional patents may be pending. One or more of the listed patents and/or pending patents may cover specific product.

---

## PRE-ASSEMBLY TIPS

---

1. Read this manual carefully before starting assembly. Read each step completely before beginning each step.
2. Some smaller parts may be shipped inside larger parts. Check inside all parts and cartons before assembling or ordering parts.
3. To make assembly easier, use pages 4 & 5 to identify and sort all parts. Check all cartons for kits.
4. Do not tighten until instructed to do so. If parts are tightened too soon, parts may not easily fit together. Leave nut slightly loose until you are instructed to tighten it.
5. Save these instructions and your proof of purchase (receipt) in the event that the manufacturer has to be contacted for replacement parts.

### Required Tools: (Not Included)

- 13mm Wrench/Socket
- Phillips Screwdriver
- Flat head Screwdriver
- 6mm Hex Key
- Step Ladder - 6' or 8'

### Please Do Not Return This Product To The Store!

Contact Escalade® Sports customer service department at:

Phone: 1-800-467-1421

E-mail: [basketball@escaladesports.com](mailto:basketball@escaladesports.com)

### Escalade Sports

Physical Location:

817 Maxwell Ave.

Evansville, IN 47711

Mailing Address: (Correspondence Only)

PO Box 889

Evansville, IN 47706

**ESCALADE®**  
**S P O R T S**

# SAFETY INSTRUCTIONS

**FAILURE TO FOLLOW THESE SAFETY INSTRUCTIONS MAY RESULT IN SERIOUS INJURY, PROPERTY DAMAGE AND WILL VOID WARRANTY.**

**Owner must ensure that all players know and follow these rules for safe operation of the system. To ensure safety, do not attempt to assemble this system without following the instructions carefully.**

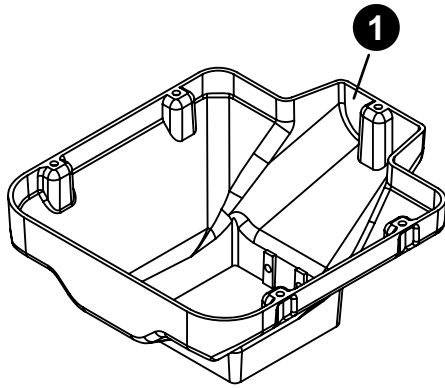
**Proper and complete assembly, use and supervision is essential for proper operation and to reduce the risk of accident or injury. A high probability of serious injury exists if this system is not installed, maintained, and operated properly.**

- If using a ladder during assembly, use extreme caution, and follow warnings posted on the ladder.
- 2 people are required for this installation.
- Seat the Static Shot in the Pole and tighten it with the provided hardware until secure. Failure to do so could allow the System to rattle during play.
- Ensure there are no overhead power lines within a 20 ft. (7m) radius of the Basketball system.
- Climate, corrosion, or misuse could result in system failure.
- If technical assistance is required, contact our Customer Service department. The contact information is located on the cover page & page 2.

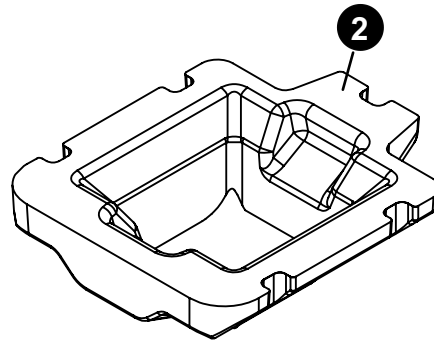
*Most injuries are caused by misuse and/or not following instructions.  
Use caution when using this system.*



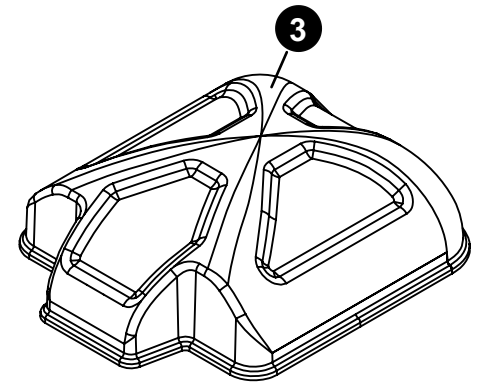
PARTS LIST (NOT ACTUAL SIZE)



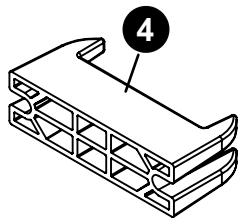
COVER - BOTTOM  
3M-9478-00  
QTY. 1



FOAM INSERT  
3M-9480-00  
QTY. 1



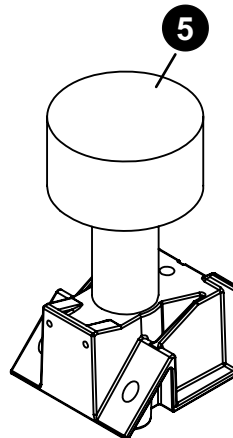
COVER - TOP  
3M-9479-00  
QTY. 1



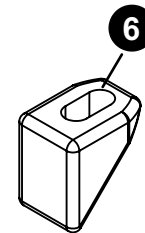
HOOLIGHT SPACER  
3M-9477-00  
QTY. 2



**NOTE: Only needed if installing with a Goliath (B7020W) or Silverback (B5452W) Hoopligh.**

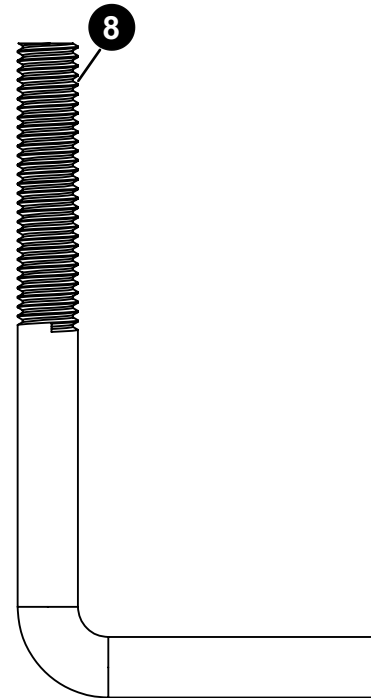
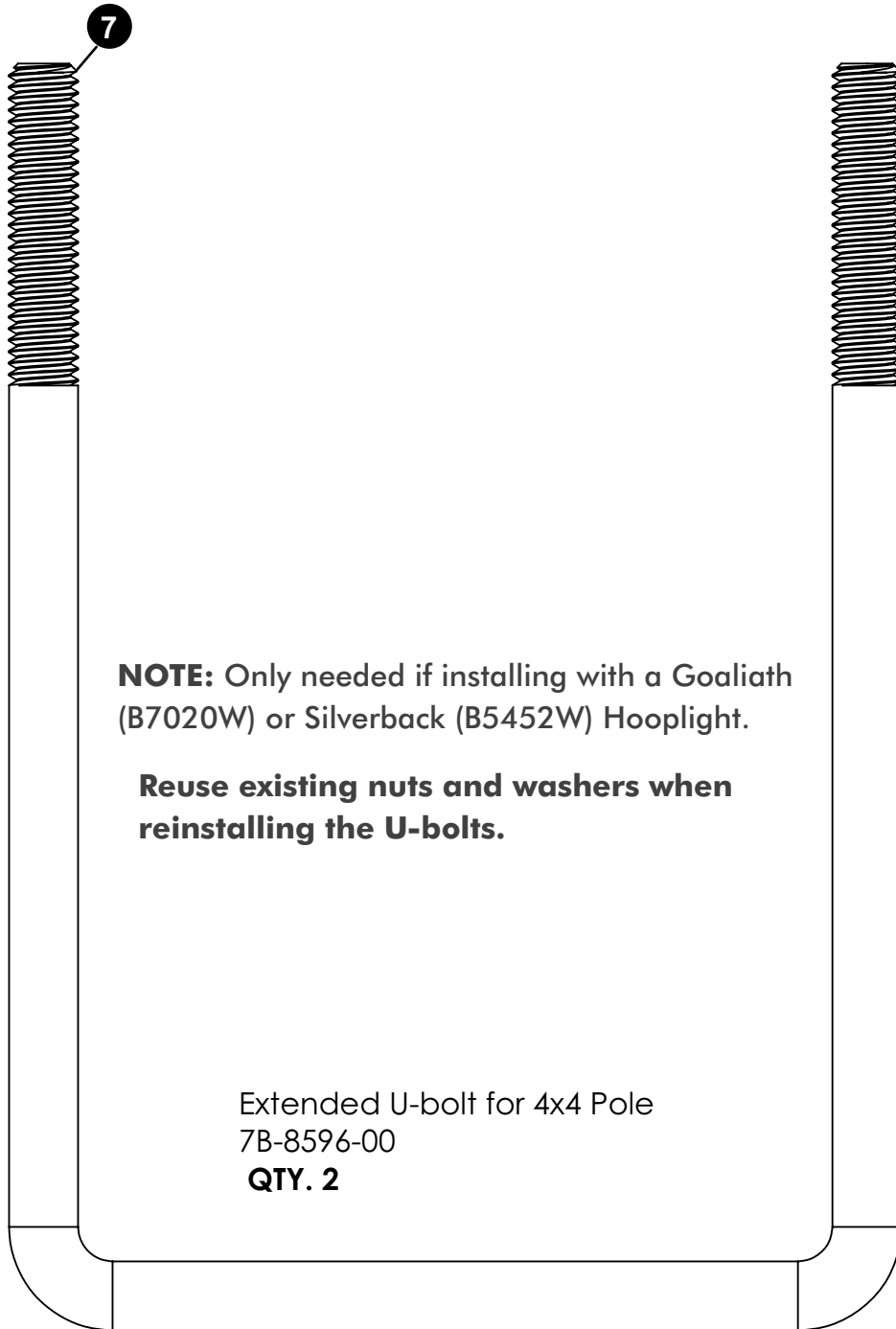


MASS ASSEMBLY  
4A-8773-00  
QTY. 1

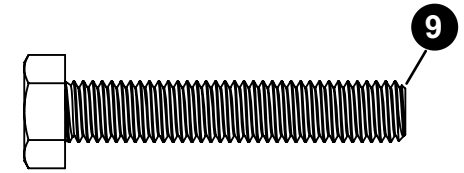


WEDGE BLOCK  
3M-9476-00  
QTY. 2

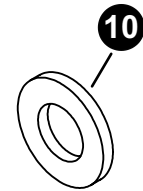
# HARDWARE LIST (ACTUAL SIZE)



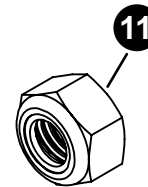
M8-1.25 L BOLT  
7B-8595-00  
**QTY. 1**



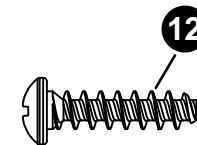
M8-1.25 X 45MM Hex  
Head Bolt -Zinc  
1B-7283-00  
**QTY. 2**



M8 FLAT WASHER  
2B-6797-00  
**QTY. 2**



M8-1.25 LOCK NUT  
2B-6808-00  
**QTY. 3**



M5 - 20MM THREAD FORMING  
SCREW FOR PLASTIC  
1B-7284-00  
**QTY. 9**



**If you have an LED Hooplight attached to your basketball system, it will need to be uninstalled and then reinstalled with the Hooplight Spacers (#4) and Extended U-bolts (#7), as shown on pages 4&5.**

**If you DO NOT have an LED Hooplight, proceed to Page 10, Step 1.**

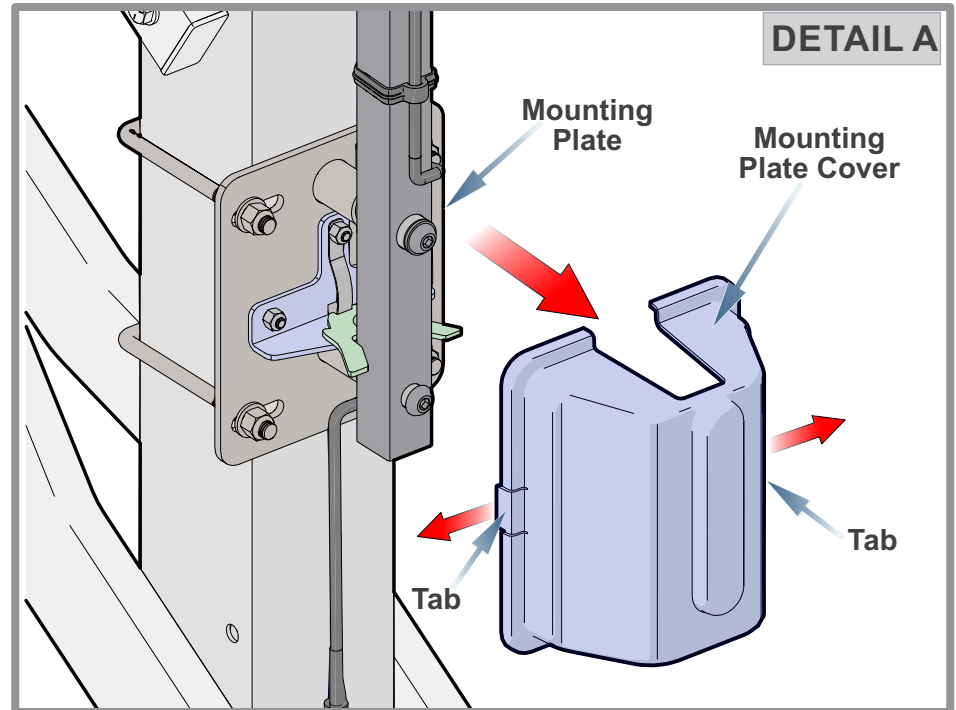
1. Uninstall the Hooplight from the basketball pole following steps 1-6 on **pages 7-9** in this instruction manual.
2. Reinstall the Hooplight once the Static Shot installation is completed using the provided Hooplight spacers and longer U-bolts as shown on **page 15** of this instruction manual.

#### ***NOTICE***

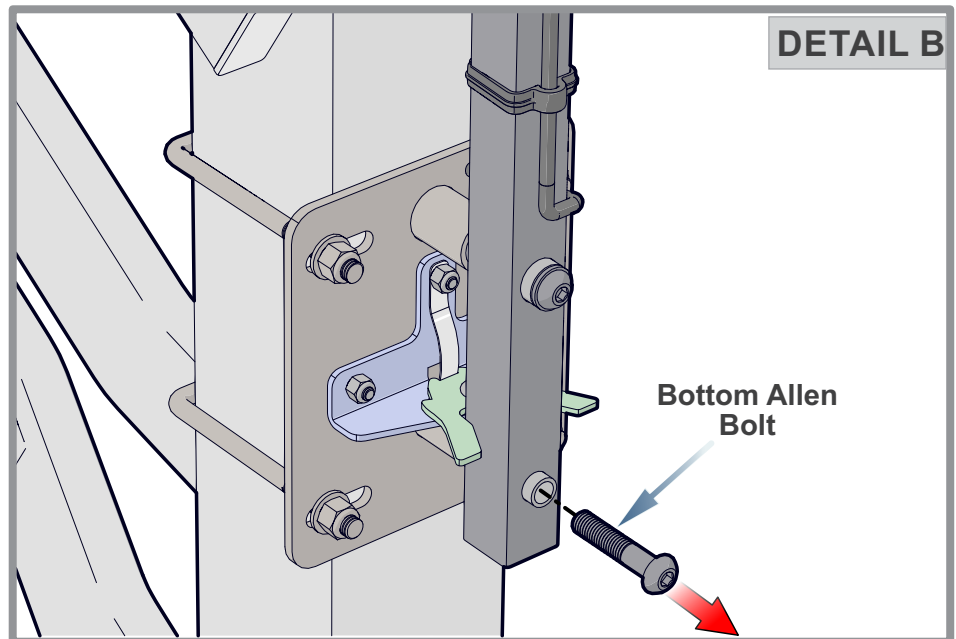
If installing both the Static Shot and a LED Hooplight, install the Static Shot first, following the Steps on page 10. Then go to **page 15** in this manual and follow the installation steps for the LED Hooplight Mounting Plate Assembly.

The following steps on pages 7-9 are only for systems with the **Goaliath (B7020W)** or **Silverback (B5452W)** Hoopligh.

1. Unplug the hoopligh.
2. Remove the **Mounting Plate Cover** off of the **mounting Plate** by carefully pulling out on the **tabs** until the cover is released. See **Detail A**.



3. Remove the bottom Allen Bolt from the light pole assembly as shown in **Detail B**. A 6mm Hex Key will be required.



**NOTICE**

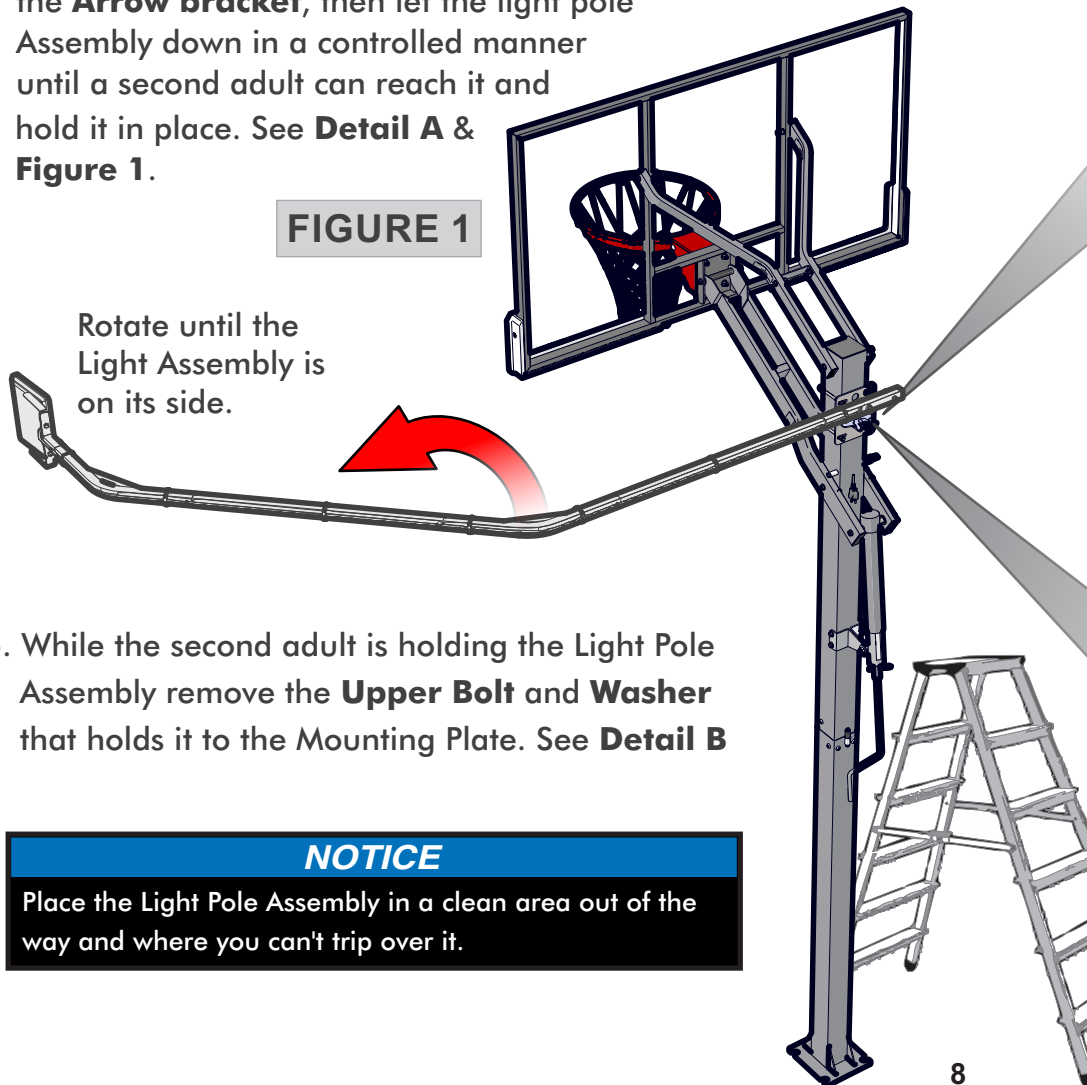
Be careful to keep track of all loose hardware.

### NOTICE

TWO capable adults are required for the following steps. READ AND UNDERSTAND THESE STEPS BEFORE CONTINUING.

4. With one adult on a ladder close to the basketball post, have a second adult on the ground, ready to hold and help let down the Light Pole Assembly. See **Figure 1**.
5. Press the **spring lock** and **rotate** the **Light Pole Assembly** until it releases from the **Arrow bracket**, then let the light pole Assembly down in a controlled manner until a second adult can reach it and hold it in place. See **Detail A** & **Figure 1**.

FIGURE 1



6. While the second adult is holding the Light Pole Assembly remove the **Upper Bolt** and **Washer** that holds it to the Mounting Plate. See **Detail B**

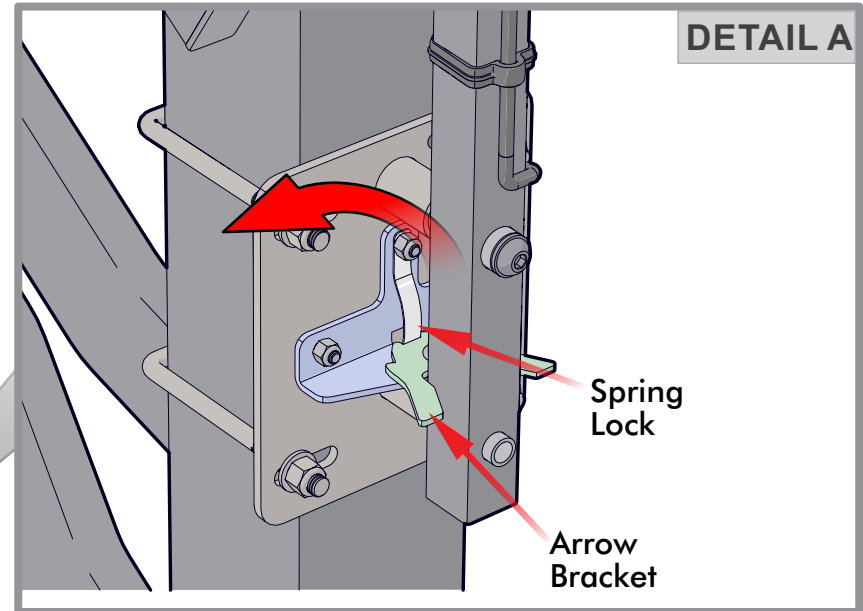
### NOTICE

Place the Light Pole Assembly in a clean area out of the way and where you can't trip over it.

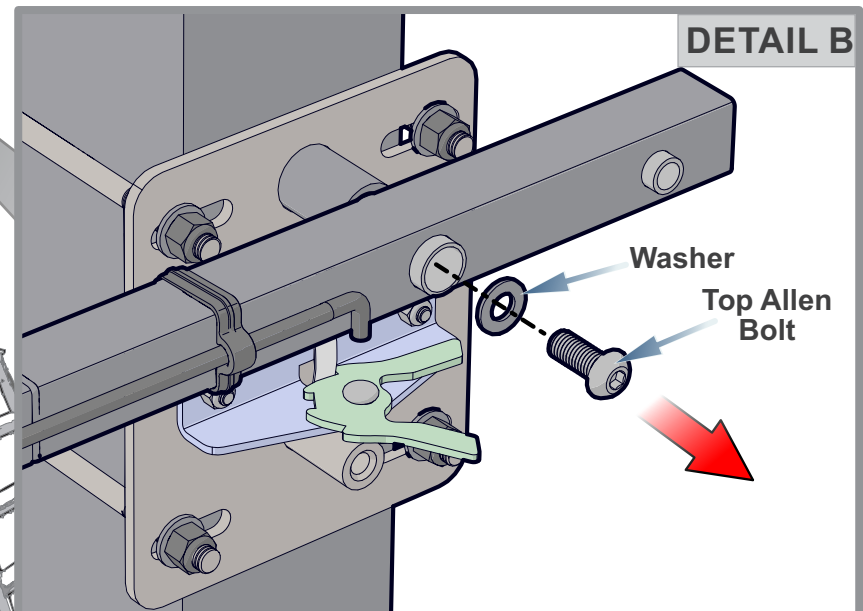
### ⚠ DANGER ⚡

When rotating the Hooplight down, stay clear of all overhead power, electrical, telephone wires, and obstacles. Any contact between the Hooplight and any of these lines will result in immediate danger.

DETAIL A



DETAIL B

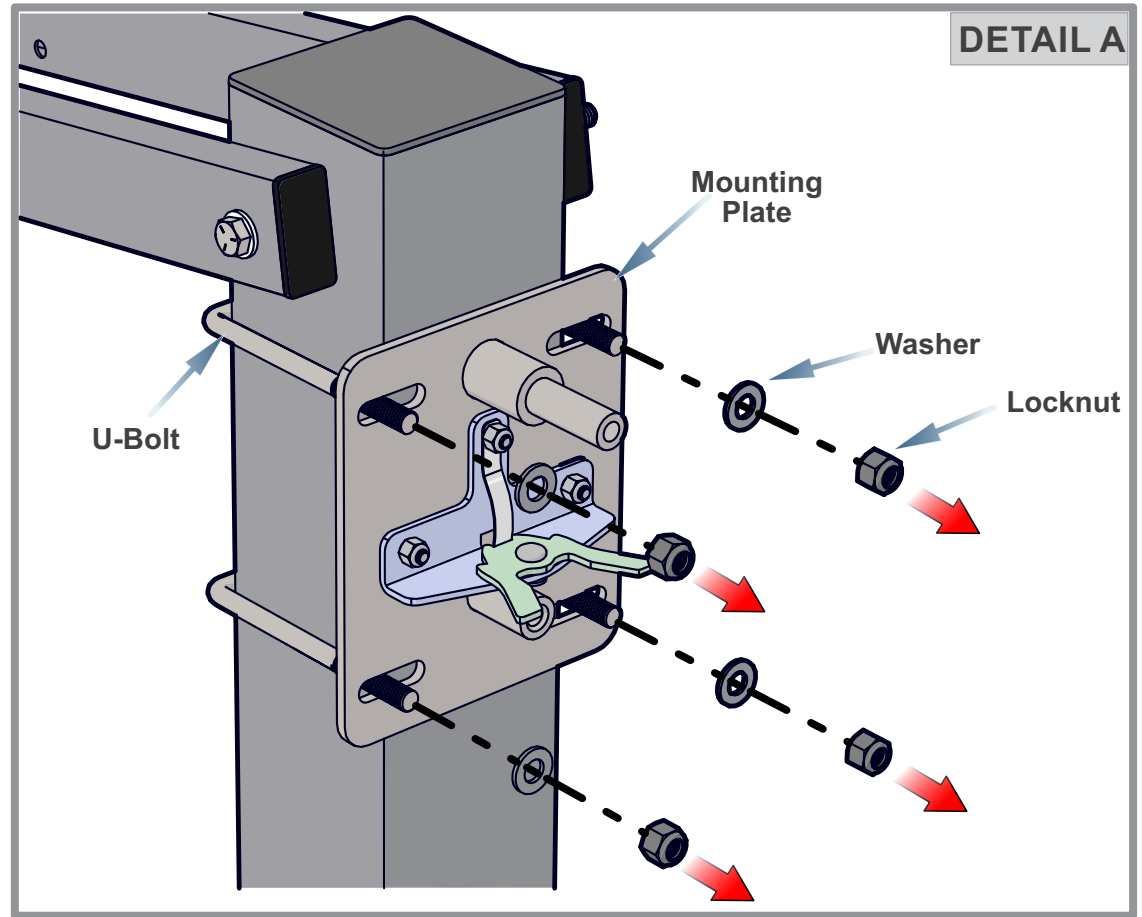




7. Once the Light Pole Assembly is removed, take off the U-Bolts, Locknuts, and Washers to remove the Mounting plate. See **Detail A**.

8. Continue to the next page to Assemble the Static Shot.

**NOTICE**  
Keep track of all loose hardware.



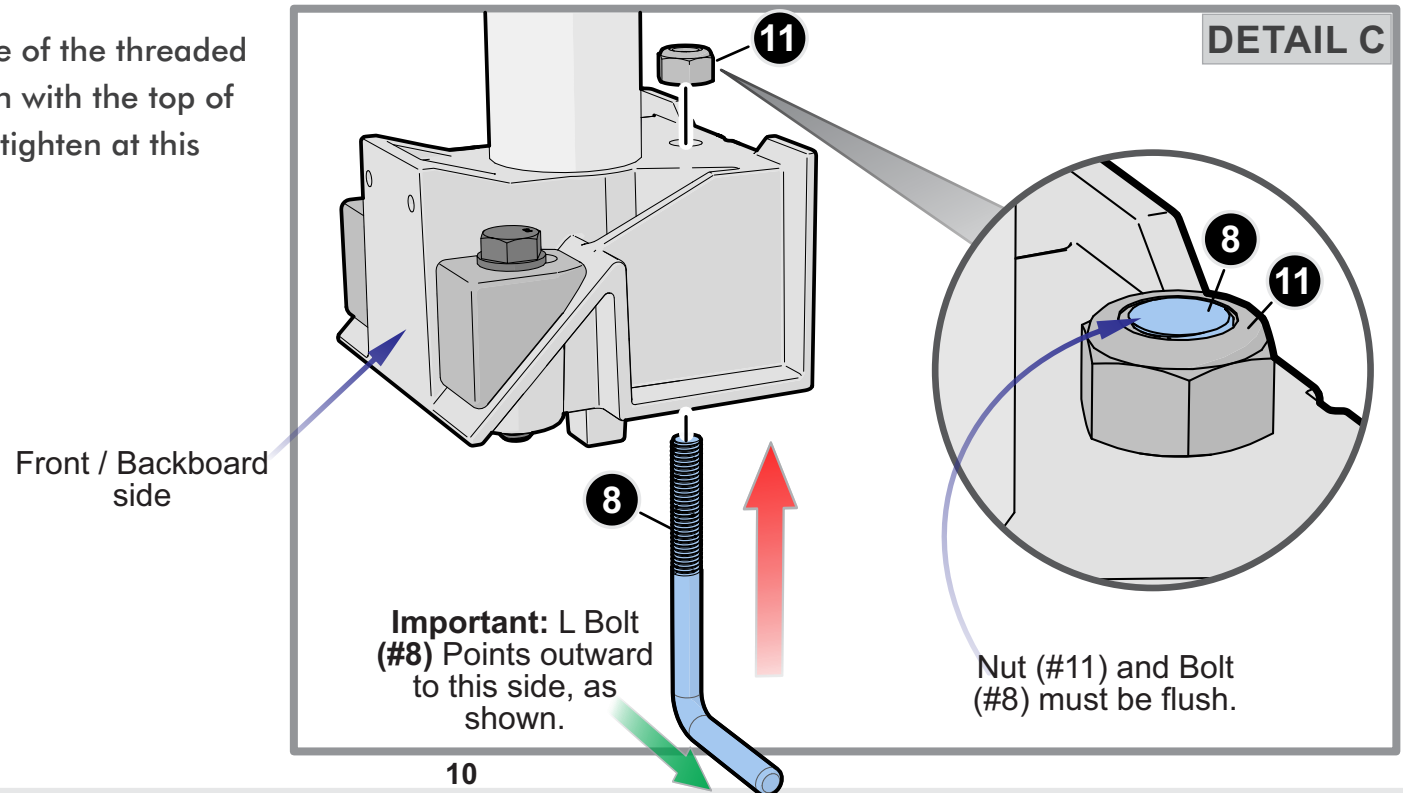
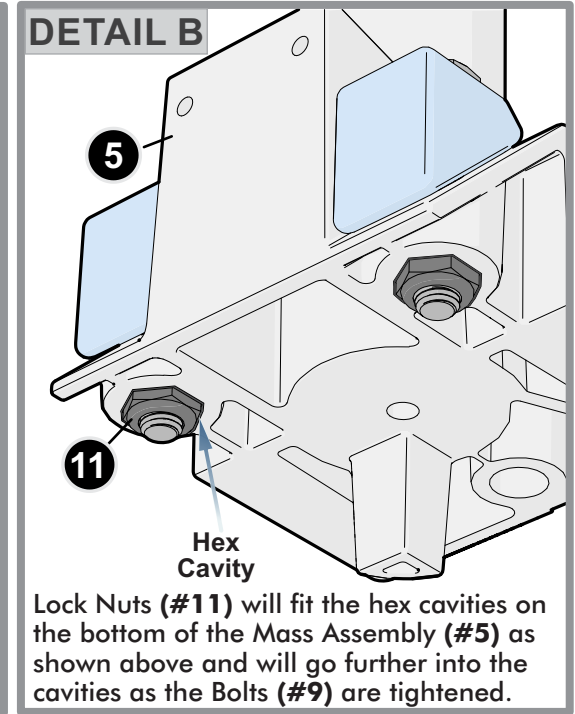
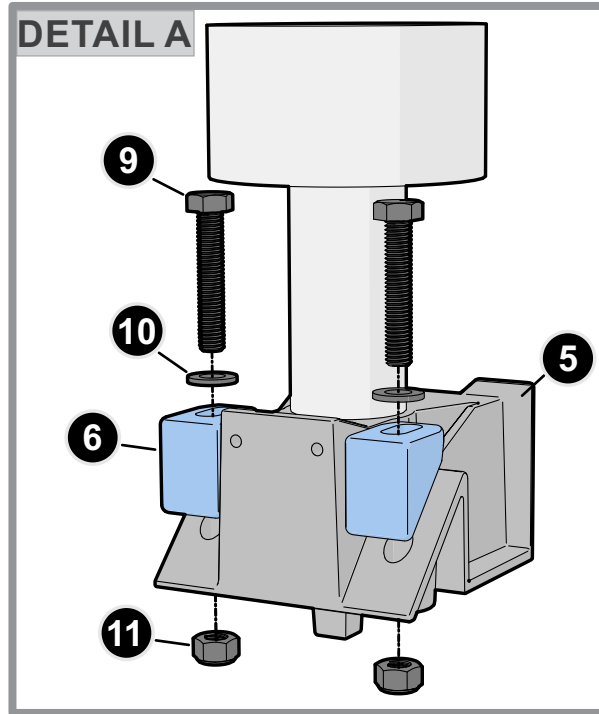
## Static Shot assembly Steps

1. Install two Wedge Blocks (#6) to the Mass Assembly (#5). Insert each Bolt (#9) through Flat Washers (#10) into Wedge Blocks (#6) and through the Mass Assembly holes. Hand tighten Lock Nuts (#11) onto each (#9) bolt as shown in **Detail A**.

### NOTICE

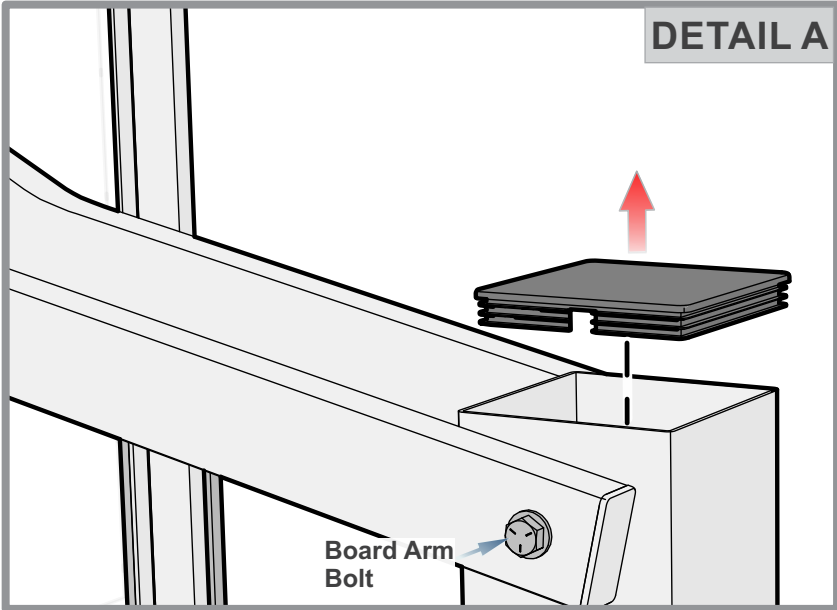
Only hand tighten the Lock Nuts (#11) and bolts (#9) that hold the wedge blocks. Lock Nuts (#11) will fit the hex cavities on the bottom of the Mass Assembly (#5) as shown in **Detail B**.

2. Install L-Bolt (#8). The top edge of the threaded end of the L-bolt should be flush with the top of the Lock Nut (#11). Only hand tighten at this step. See **Detail C**.

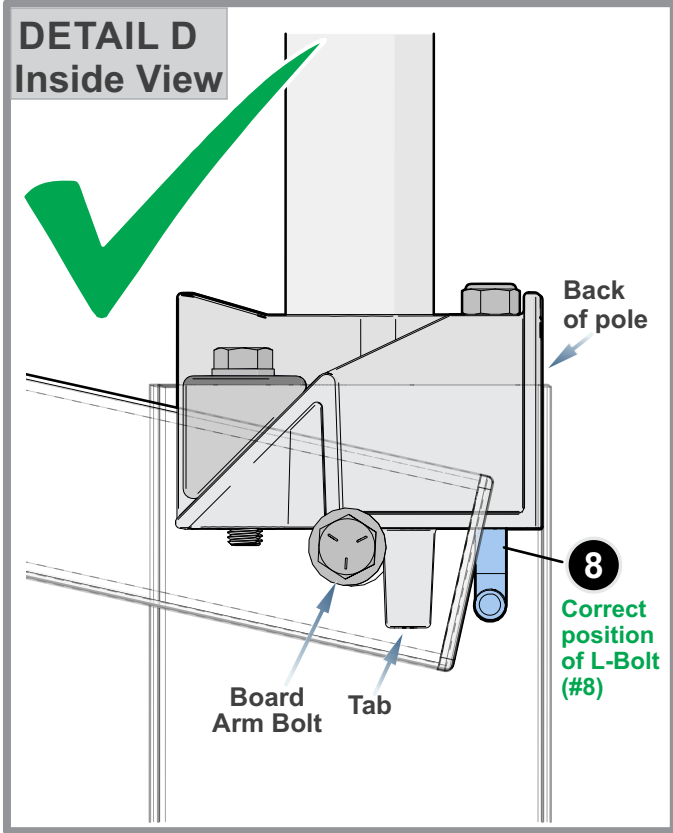
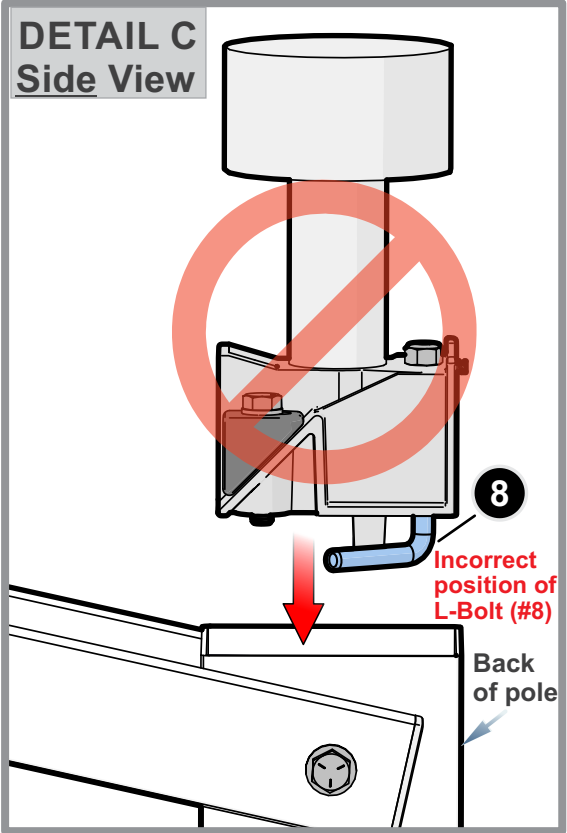
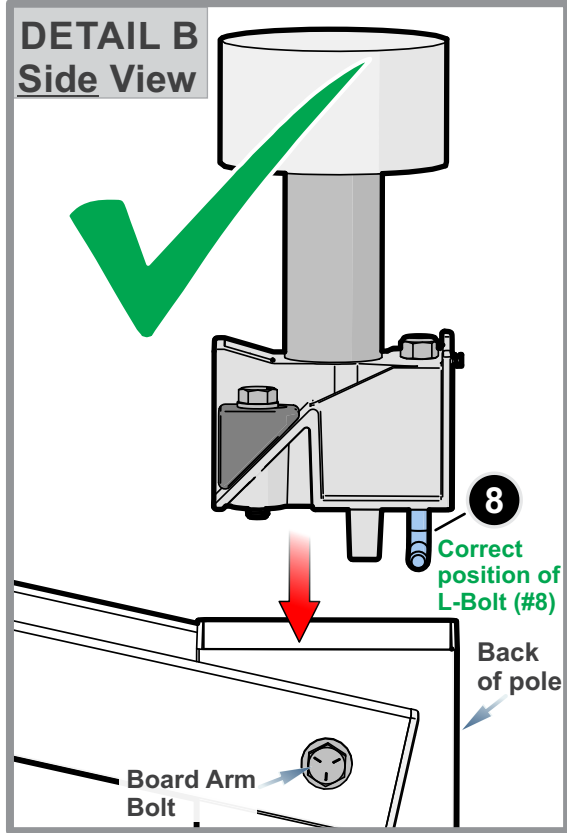


- Carefully remove the pole cap from the system. This may require a flathead screwdriver to pry the pole cap out of the pole. See **Detail A**.
- Insert Mass Assembly (#3) into the top of the pole as shown in **Detail B**. When inserting the Mass Assembly, it is critical that the L-Bolt (#8) be oriented correctly.

**NOTICE**  
 If the top of the pole is deformed from the installation of the board arm bolt, slightly loosen the board arm bolt before inserting the mass assembly (#3), then re-tighten the board arm bolt. See Detail A.



**NOTICE**  
 Insert Mass Assembly as shown in Detail B with the **bolt parallel to the back of the pole**. Once the Nut gets tightened in the next step the L bolt will rotate and hook under the board arm bolt.

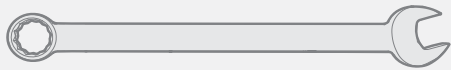


5. Tighten the 2 wedge block bolts (#9) until snug, as shown in **Detail B**. Do not over-tighten.

**NOTICE**

**DO NOT** overtighten Bolts (#9) just tighten until snug, the wedges should make contact with the inside of the Pole. See **Detail D**.

NEEDED FOR STEP 6

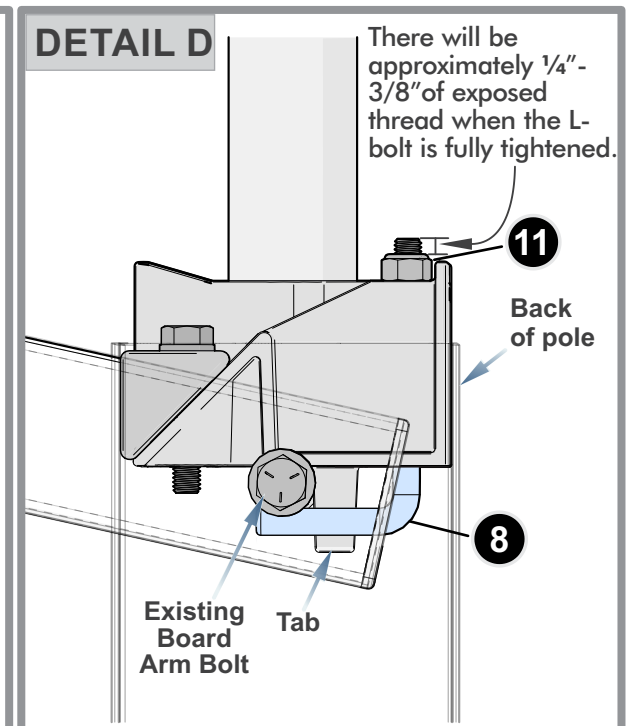
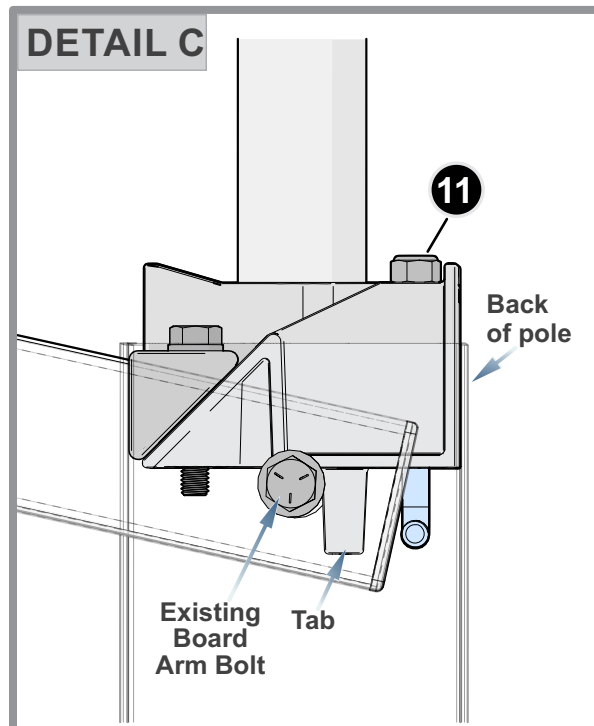
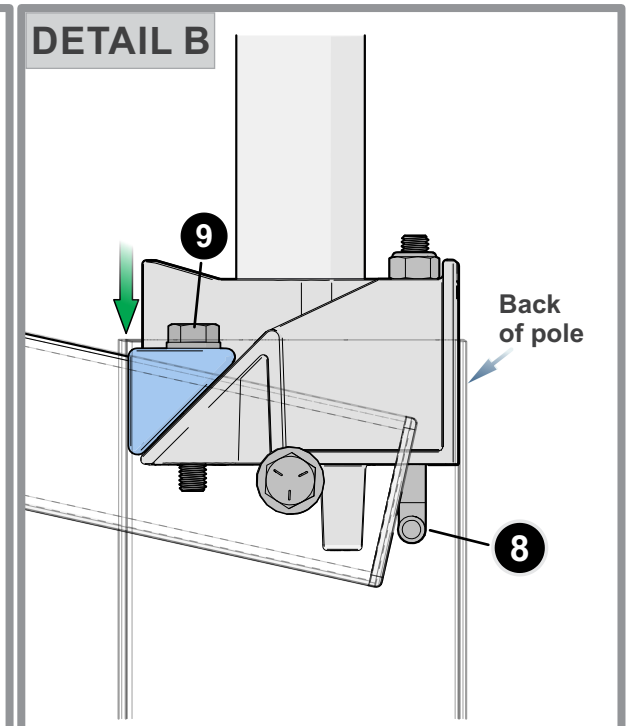
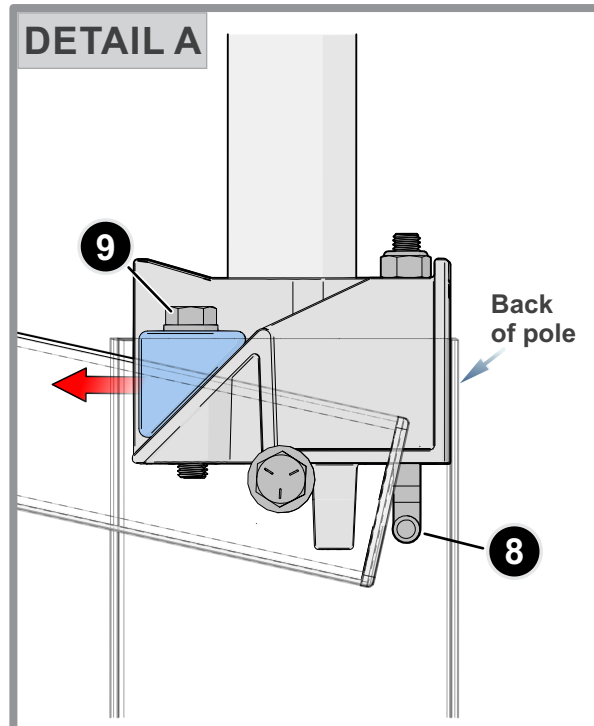


13mm Combination Style Wrench

6. Using a 13mm Combination Style Wrench, begin tightening the L-bolt. The L-bolt will rotate and hook underneath the existing Board arm bolt, contacting the tab on the bottom of the mass assembly. Then, continue to tighten and secure the Mass Assembly.

**NOTICE**

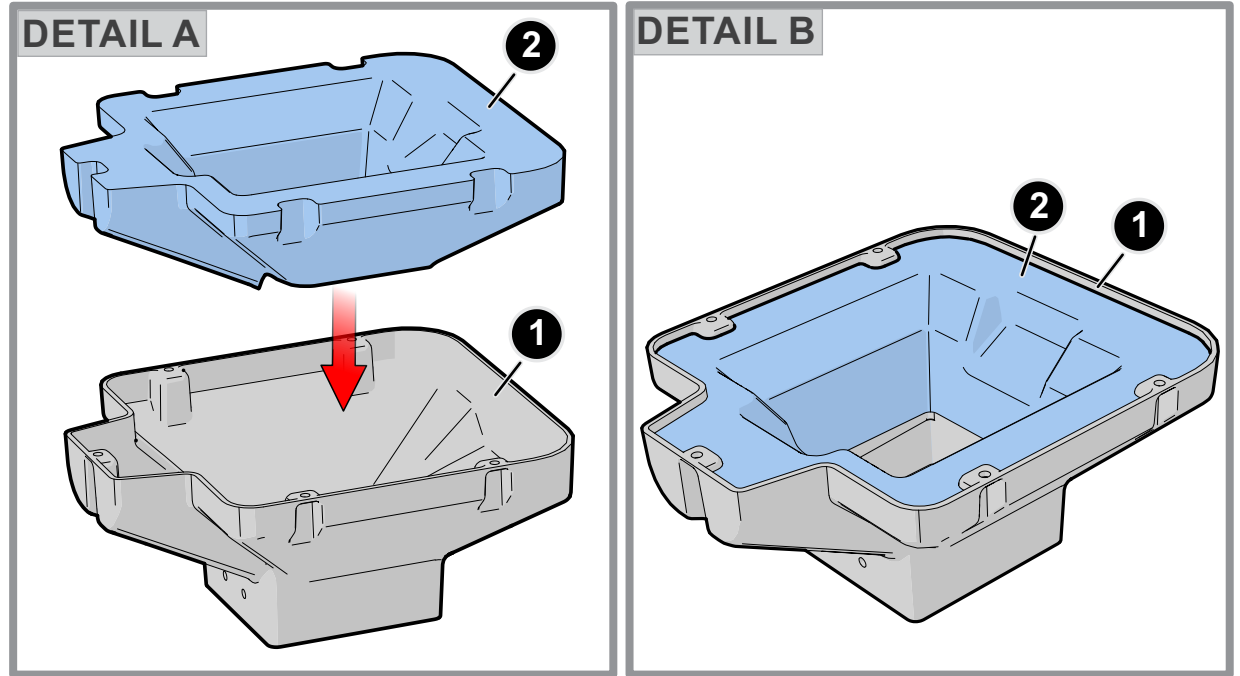
Keep tightening the Nut (#11) until the Mass Assembly is secure. At this point, the L bolt (#8) will touch the bottom of the Board Arm Bolt, as shown in Detail B. The Mass Assembly should not be able to move up or down.



7. Place the bottom cover (#1) on a clean flat surface and insert the foam insert (#2) into the bottom cover, as shown in **Detail A & B**.

**NOTICE**

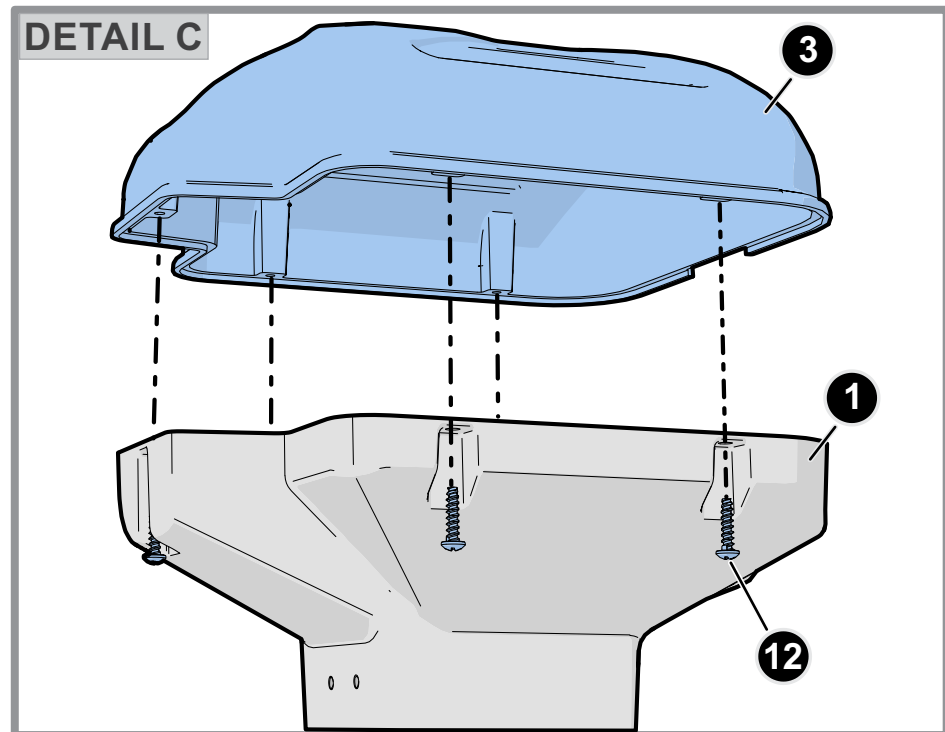
When inserting the foam in the bottom cover, make sure the foam is fully seated.

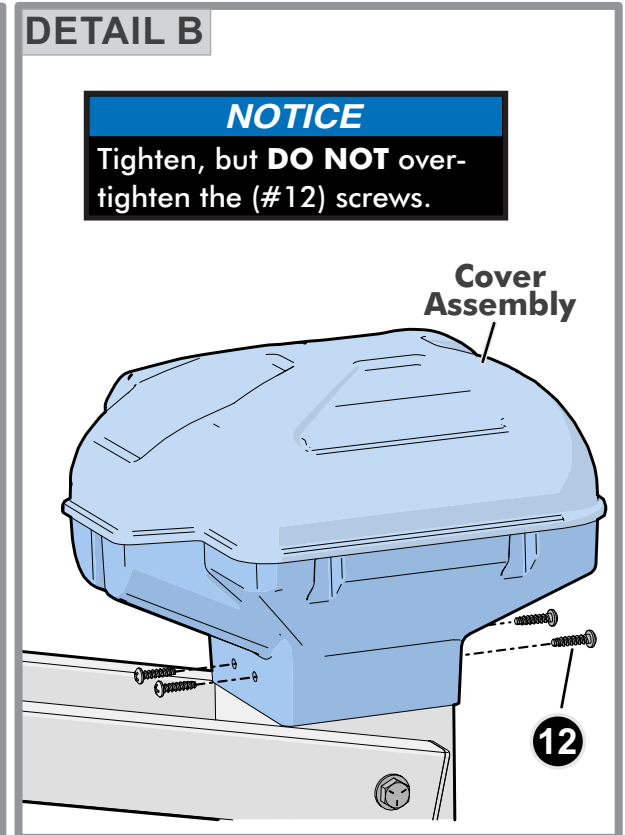
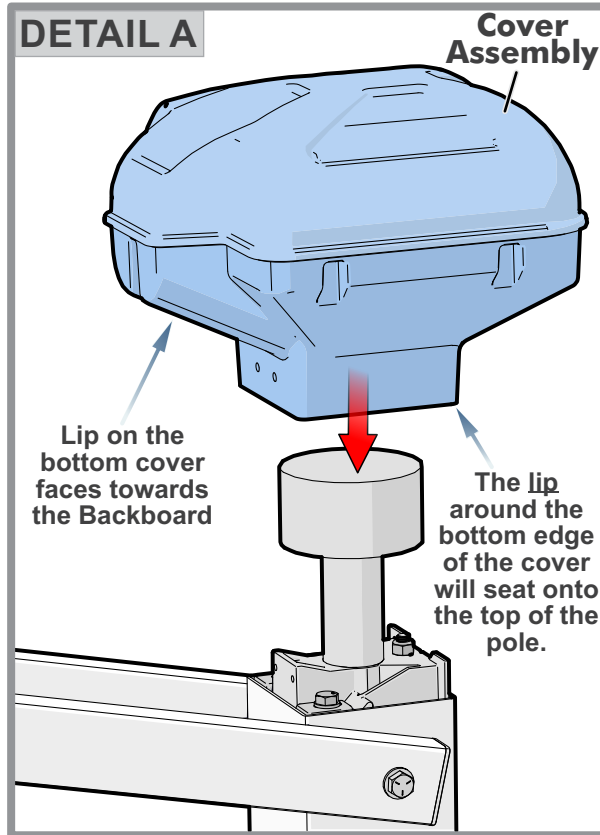
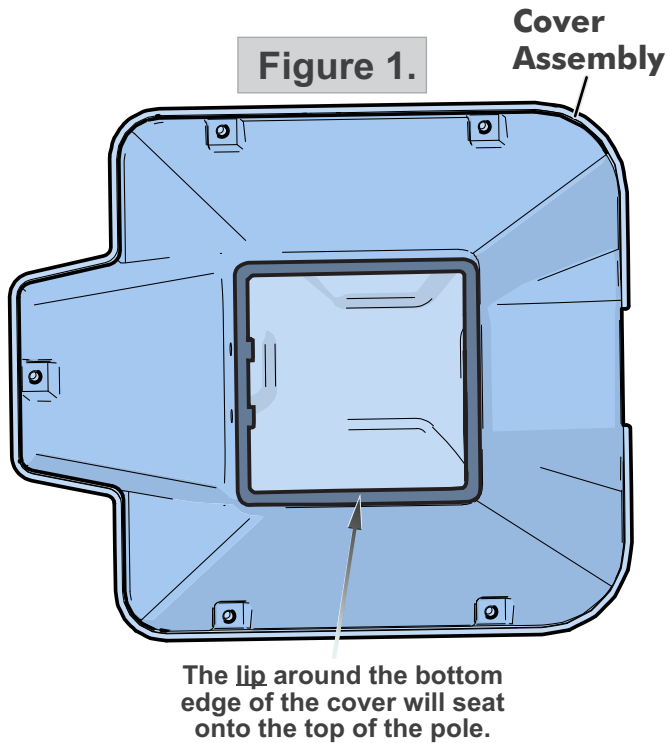


8. Install the top cover (#3) using the five screws (#12) and a Phillips screwdriver, as shown in **Detail C**.

**NOTICE**

Tighten, but **DO NOT** over-tighten the (#12) screws. See **Detail C**.





9. Install the Cover Assembly using four screws (#12) and a Phillips screwdriver. See **Detail A** & **Detail B**.

**NOTICE**  
Lip on the Bottom Cover faces towards the Backboard. See Detail A.

**NOTICE**  
Tighten, but **DO NOT** over-tighten the (#12) screws. See Detail B.

**WARNING**  
If cover is damaged or removed, the mass assembly must be uninstalled. **DO NOT** operate without the Cover.

10. If you need to reinstall an LED hoopligh, continue to the next page.

The following steps are only for systems with the Goaliath (B7020W) or Silverback (B5452W) Hooplight using the Spacer and Extended U-bolts provided with the Static Shot.

### NOTICE

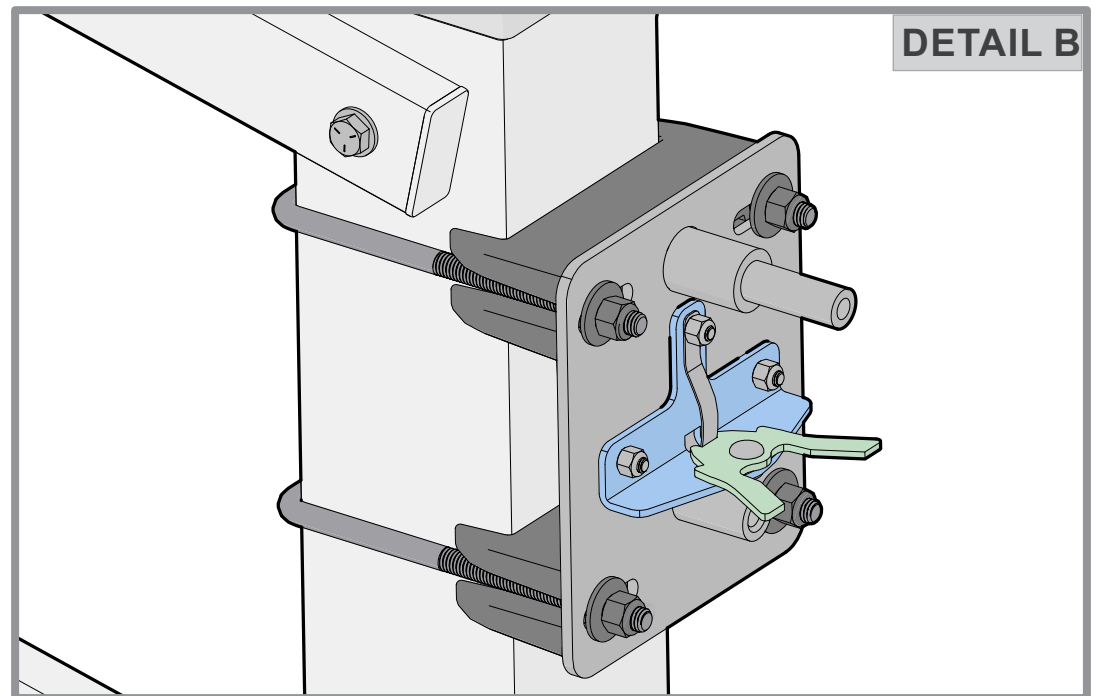
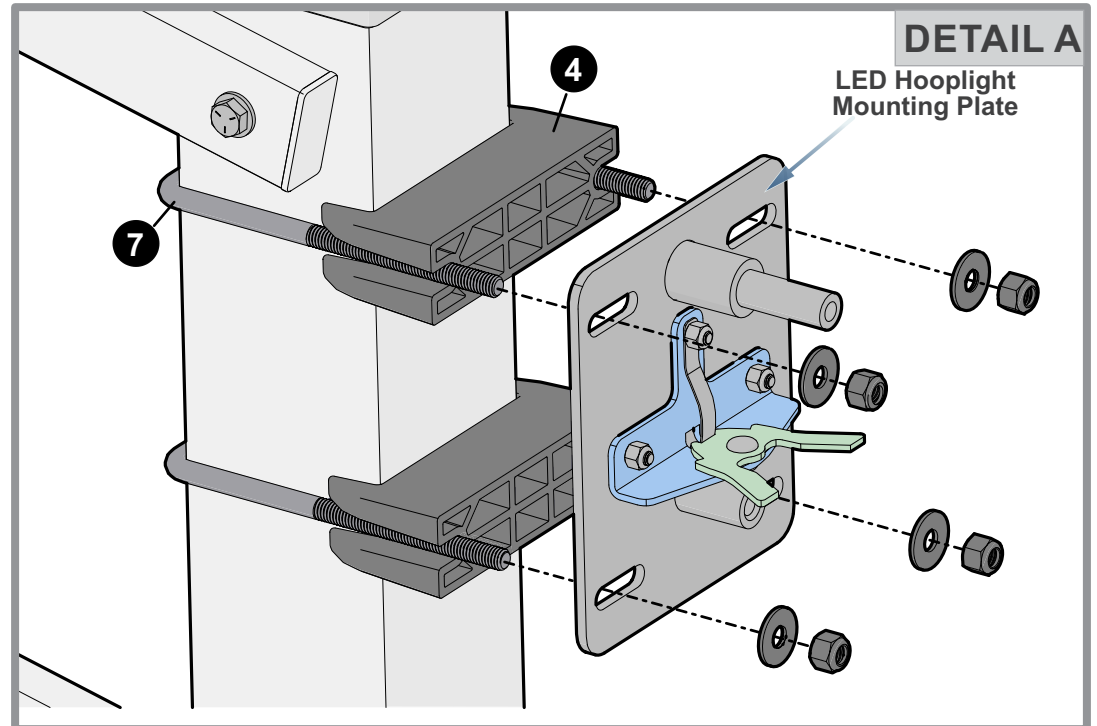
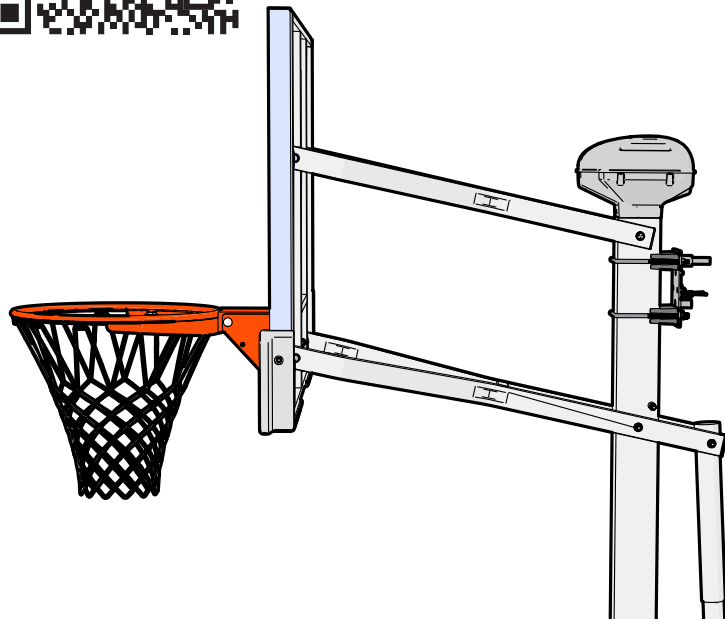
Make sure your basketball pole is level, then Mount the bracket as high as possible on the pole without interfering with any other parts.

1. Attach Hooplight bracket using spacers and U-bolts, making sure its level. See **Detail A** & **Detail B**.
2. Continue assembly using the assembly manual for the LED Hooplight on **page 16**, step 12.

If needed, the manual for the hooplight can be found on [goalrilla.com/pages/product-manuals](http://goalrilla.com/pages/product-manuals)



OR scan this QR code to go to the website.



## **90 DAY LIMITED WARRANTY**

**WARRANTY COVERAGE:** Escalade® Sports warrants to the original Consumer Purchaser that any Product of its manufacture is free from defects in material and workmanship. THIS WARRANTY IS VOID IF THE PRODUCT HAS BEEN DAMAGED BY ACCIDENT, UNREASONABLE USE, NEGLIGENCE, IMPROPER SERVICE, FAILURE TO FOLLOW INSTRUCTIONS PROVIDED WITH THE PRODUCT OR OTHER CAUSES NOT ARISING OUT OF DEFECTS IN MATERIAL OR WORKMANSHIP.

### **NOT COVERED BY THIS WARRANTY**

- Any merchandise subjected to abuse, negligence, improper installation, vandalism, acts of God, alteration of product, or any other events beyond the control of Escalade® Sports.

**Contact Escalade Sports Customer Service department at:**

Phone: 1-888-872-4625      Warranty Dept.

Or Write Escalade® Sports at: Escalade® Sports - P.O. Box 889, Evansville, IN 47706 - Attn: Warranty Dept.

Or E-mail us at: [basketball@escaladesports.com](mailto:basketball@escaladesports.com)