



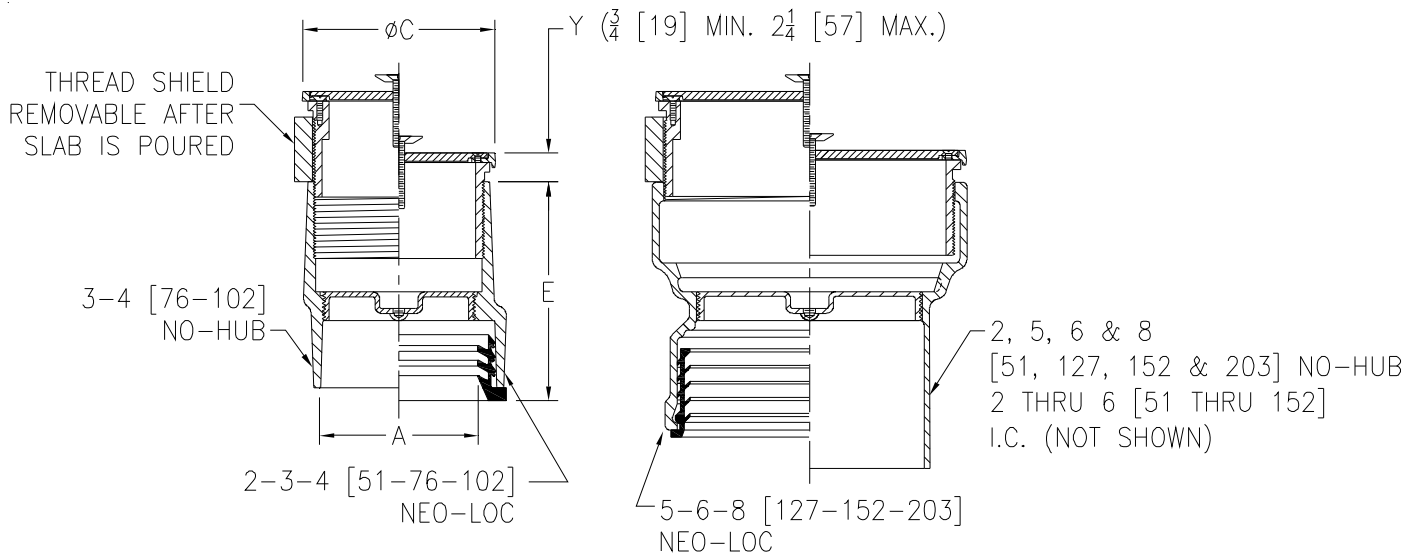
ZN1400-CM

"LEVEL-TROL" ADJUSTABLE FLOOR CLEANOUT W/ CARPET MARKER

SPECIFICATION SHEET

TAG _____

Dimensional Data (inches and [mm]) are Subject to Manufacturing Tolerances and Change Without Notice



Dimensions In Inches			Approx. Wt. Lbs. [kg]
A-Pipe Size	C	E	
Inside Caulk			
2 [51]	6 1/8 [156]	6 7/8 [175]	6 [3]
3 [76]	6 1/8 [156]	6 7/8 [175]	8 [4]
4 [102]	7 1/4 [184]	6 7/8 [175]	9 [4]
5 [127]	8 1/4 [210]	6 7/8 [175]	12 [5]
6 [152]	9 1/4 [235]	6 7/8 [175]	15 [7]
No-Hub			
2 [51]	4 1/8 [105]	7 1/2 [191]	6 [3]
3 [76]	4 1/8 [105]	5 3/8 [137]	8 [4]
4 [102]	5 1/8 [130]	5 3/8 [137]	9 [4]
5 [127]	7 1/4 [184]	7 1/2 [191]	12 [5]
6 [152]	8 1/4 [210]	7 1/2 [191]	15 [7]
8 [203]	9 1/4 [235]	7 1/2 [191]	21 [10]
Neo-Loc			
2 [51]	4 1/8 [105]	5 3/8 [137]	6 [3]
3 [76]	5 1/8 [130]	5 3/8 [137]	8 [4]
4 [102]	5 1/8 [130]	5 3/8 [137]	9 [4]
5 [127]	7 1/4 [184]	6 1/2 [165]	12 [5]
6 [152]	8 1/4 [210]	6 1/2 [165]	15 [7]
8 [203]	9 1/4 [235]	6 1/2 [165]	21 [10]

ENGINEERING SPECIFICATION: ZURN ZN1400-CM

"Level-Trol" Adjustable floor cleanout, Dura-Coated cast iron body, with gas and watertight ABS tapered thread plug, and round scoriated secured light-duty polished nickel bronze top with carpet marker adjustable to finished floor.

OPTIONS (Check/specify appropriate options)

PREFIXES

- ___ Z Dura Coated Cast Iron
- ___ ZB D.C.C.I. w/ Polished Bronze Top
- ___ ZN D.C.C.I. w/ Polished Nickel Bronze Top*
- ___ ZS D.C.C.I. w/ Polished Stainless Steel Top

SUFFIXES

- ___ -AR Acid Resisting Epoxy Coated Finish
- ___ -BP Bronze Plug
- ___ -CF Carpet Flange Cover (ZB, ZN only)
- ___ -DX Round ZB or ZN Top with Dex-o-tex Flange (2 thru 4 [51 thru 102] Sizes Only)
- ___ -G Galvanized Cast Iron
- ___ -K Anchor Flange
- ___ -KC Anchor Flange with Clamp Collar
- ___ -SG Solid Gasketed Cover
- ___ -T Square Top
- ___ -VP Vandal-Proof Screws

PIPE SIZE

- 2 thru 6 [51 thru 152]
- 2 thru 6-8 [51 thru 152-203]
- 2 thru 6-8 [51 thru 152-203]

(Specify size/type) **OUTLET**

- ___ IC Inside Caulk
- ___ NH No-Hub
- ___ NL Neo-Loc

'E' BODY HT. DIM.

- See Chart
- See Chart
- See Chart

REV. B	DATE: 02/11/09	C.N. NO. 99686
DWG. NO. 62104	PRODUCT NO. ZN1400-CM	

*REGULARLY FURNISHED UNLESS OTHERWISE SPECIFIED

ZURN INDUSTRIES, LLC. ♦ SPECIFICATION DRAINAGE OPERATION ♦ 1801 Pittsburgh Ave. ♦ Erie, PA 16514

Phone: 814/455-0921 ♦ Fax: 814/454-7929 ♦ World Wide Web: www.zurn.com

In Canada: ZURN INDUSTRIES LIMITED ♦ 3544 Nashua Drive ♦ Mississauga, Ontario L4V1L2 ♦ Phone: 905/405-8272 Fax: 905/405-1292