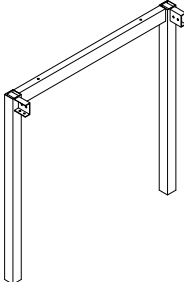
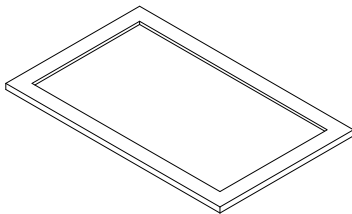
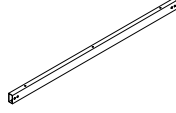



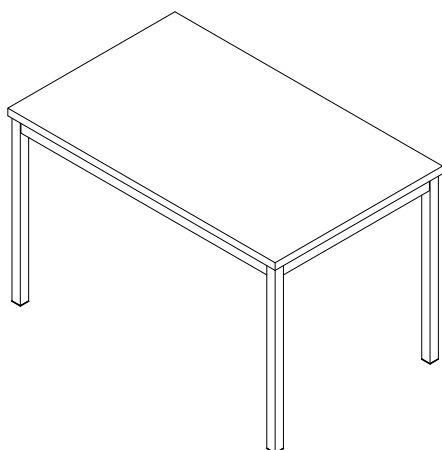


ASSEMBLY INSTRUCTION

DINING TABLE WITH FAUX MARBLE TABLE TOP

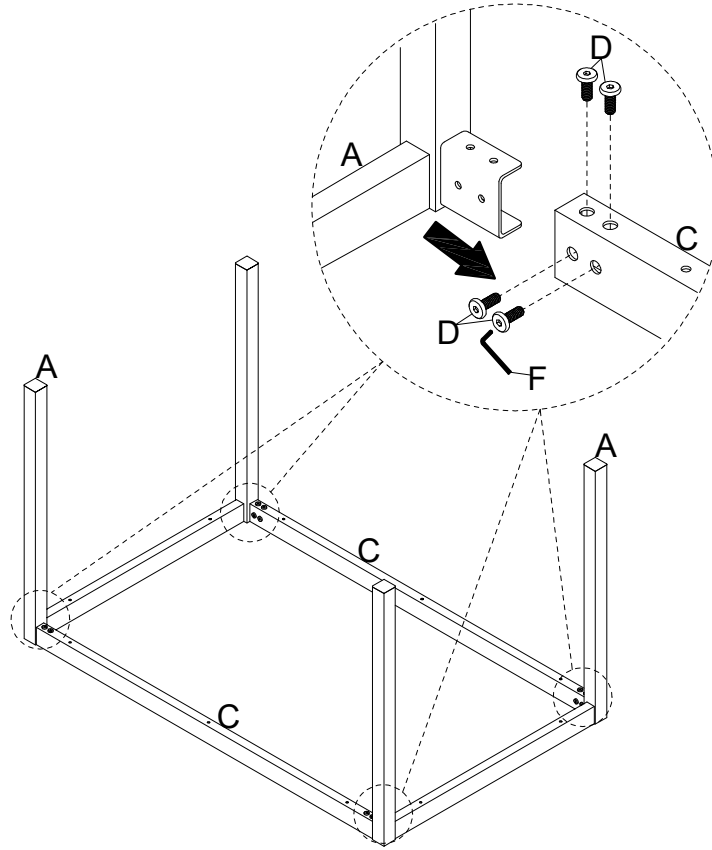
A Table Leg Frame  2PCS	B Table Top  1PC	C Apron  2PCS	D Bolt 1/4"*16mm  16PCS
E Bolt M5*70mm  10PCS	F L-Allen Key 4mm  1PC		



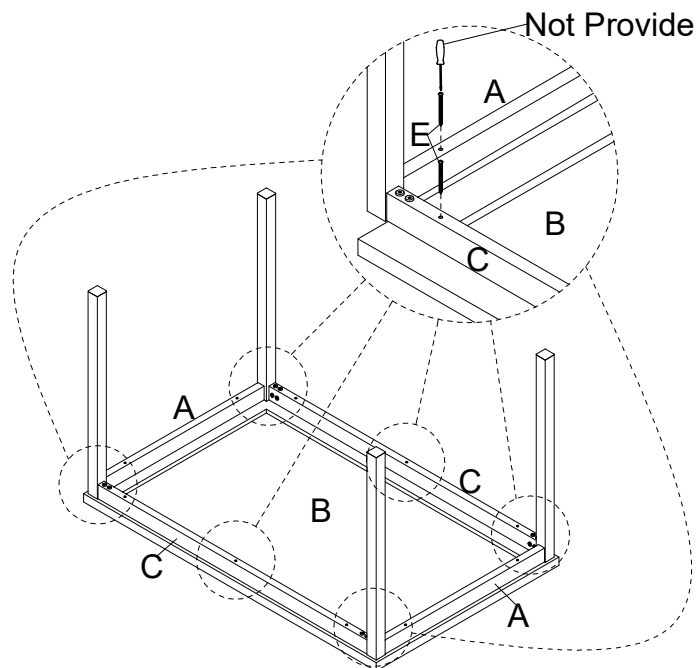
This page lists all the contents included in the box. Please take the time to identify the hardware as well as the individual components to this product. As you unpack and prepare for assembly, place the contents on a carpeted or padded area to protect them from damage.

1

Align the Table Leg Frame (A) to Apron (C) and tighten with Bolt (D). Turn the L-Allen Key (F) in Bolt (D) to tighten them.

**2**

Place the Table Top (B) on the smooth and stable carpeted or padded surface. Attach assembled table frame to Table Top (B) and tighten with Bolt (E).



Cleaning & Care

Treat surface with care. Surface is resistant to scratches but is not scratch resistant. Clean surfaces with a dry or damp soft cloth. Do not use abrasive cleaners. Hardware may loosen over time. Periodically check that all connections are tight.

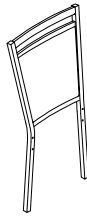
ASSEMBLY INSTRUCTION

GOLD FINISH GREY LINEN-LIKE FABRIC SIDE CHAIR

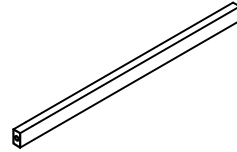
A Chair Frame L & R **B** Chair Back **C** Front Rail **D** Seat Cushion



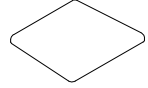
2PCS



1PC



1PC



1PC

E Bolt
1/4"*43mm



2PCS

F Bolt
1/4"*19mm



4PCS

G Bolt
M5*58mm

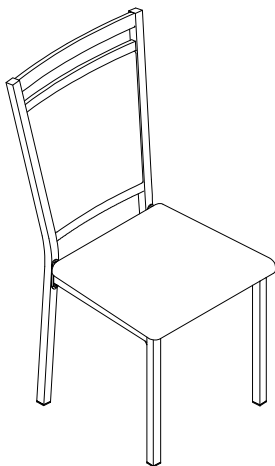


4PCS

H L-Allen Key
4mm



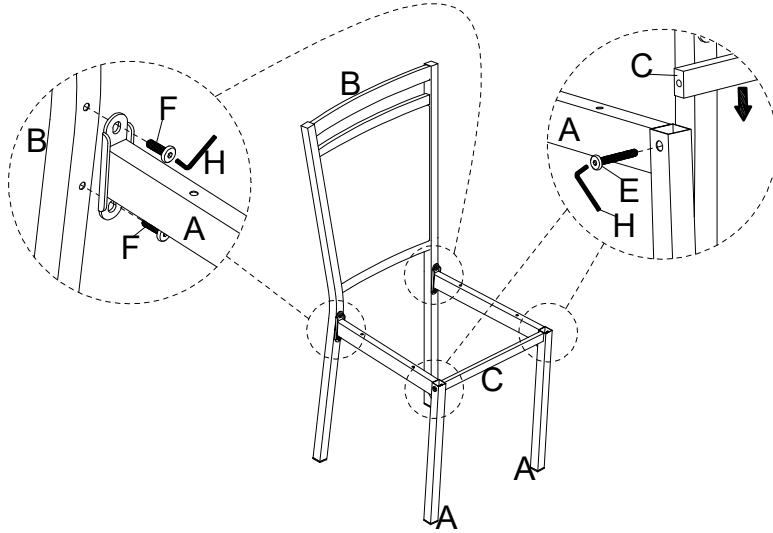
1PC



This page lists all the contents included in the box. Please take the time to identify the hardware as well as the individual components to this product. As you unpack and prepare for assembly, place the contents on a carpeted or padded area to protect them from damage.

1

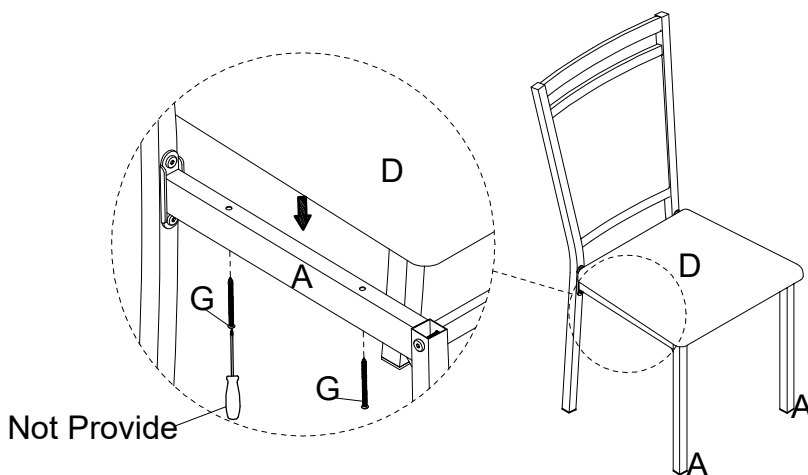
Align the Chair Frame L & R (A) to the Chair Back (B) and Front Rail (C), insert the Bolt (F) and Bolt (E) to the holes, turn the L-Allen Key (H) in Bolt (F) and Bolt (E) to tighten them.



Take the Allen Key, and turn the bolts until the legs are secure. **DO NOT TIGHTEN COMPLETELY.** Stop when you feel you are adding force to tighten the bolts.

2

Attach the Seat Cushion (D) to the Chair Frame L & R (A), insert the Bolt (G) and then tighten it.



Stand chair up on an even surface and check that it is balanced. If there is a slight wobble, apply downward pressure in the corner where a leg is uneven. Keeping pressure in that corner, tighten all bolts. If balanced, apply downward pressure evenly in the center and tighten all bolts. Do not over-tighten beyond hole depth.

Helpful Tip:

-Instead of applying downward pressure while reaching under to tighten bolts, have someone sit in the chair while you tighten the bolts.

Cleaning & Care

Treat surface with care. Surface is resistant to scratches but is not scratch resistant. Clean surfaces with a dry or damp soft cloth. Do not use abrasive cleaners. Hardware may loosen over time. Periodically check that all connections are tight.