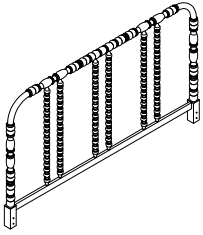


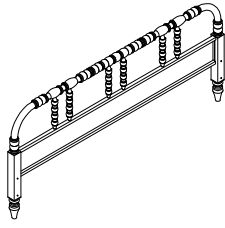
ASSEMBLY INSTRUCTION

E138BF FULL BED
E138BQ QUEEN BED

A Headboard **B** Footboard **C** Extension Leg - Left **D** Extension Leg - Right



1pc



1pc

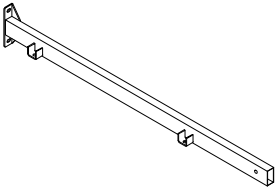


1pc

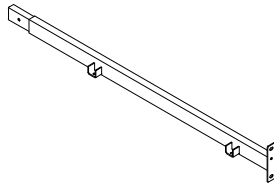


1pc

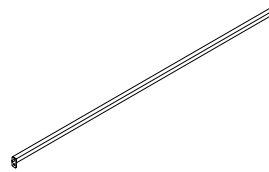
E Side Rail - Front **F** Side Rail - Rear **G** Bar **H** Slat - Front / Rear



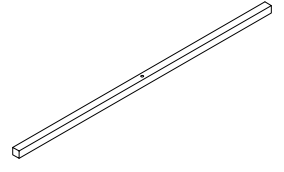
2pcs



2pcs

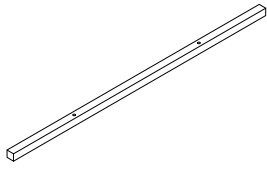


1pc



2pcs

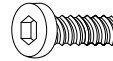
I Slat - Middle **J** Support Leg **K** Bolt $\text{\O}1/4\text{"}\times5/8\text{"}$ **L** Bolt $\text{\O}1/4\text{"}\times1\text{-}3/4\text{"}$



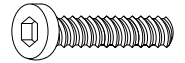
2pcs



6pcs



24pcs



6pcs

M Bolt $\text{\O}1/4\text{"}\times2\text{-}1/4\text{"}$ **N** Flat Washer $\text{\O}1/4\text{"}\times16\text{mm}$ **O** Allen Key M4 **P** Hex Nut $\text{\O}1/4\text{"}$



4pcs



38pcs



1pc

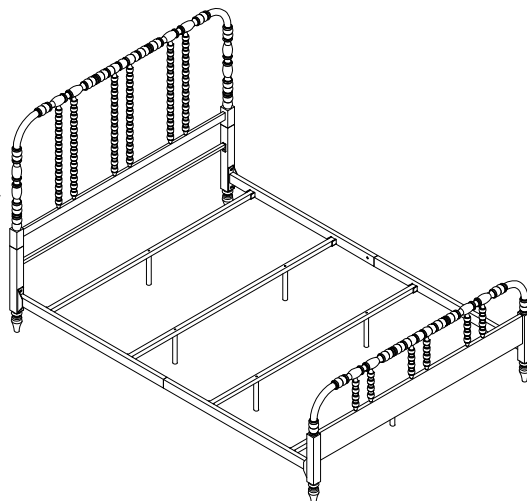


4pcs

Q Spanner 11.3mm

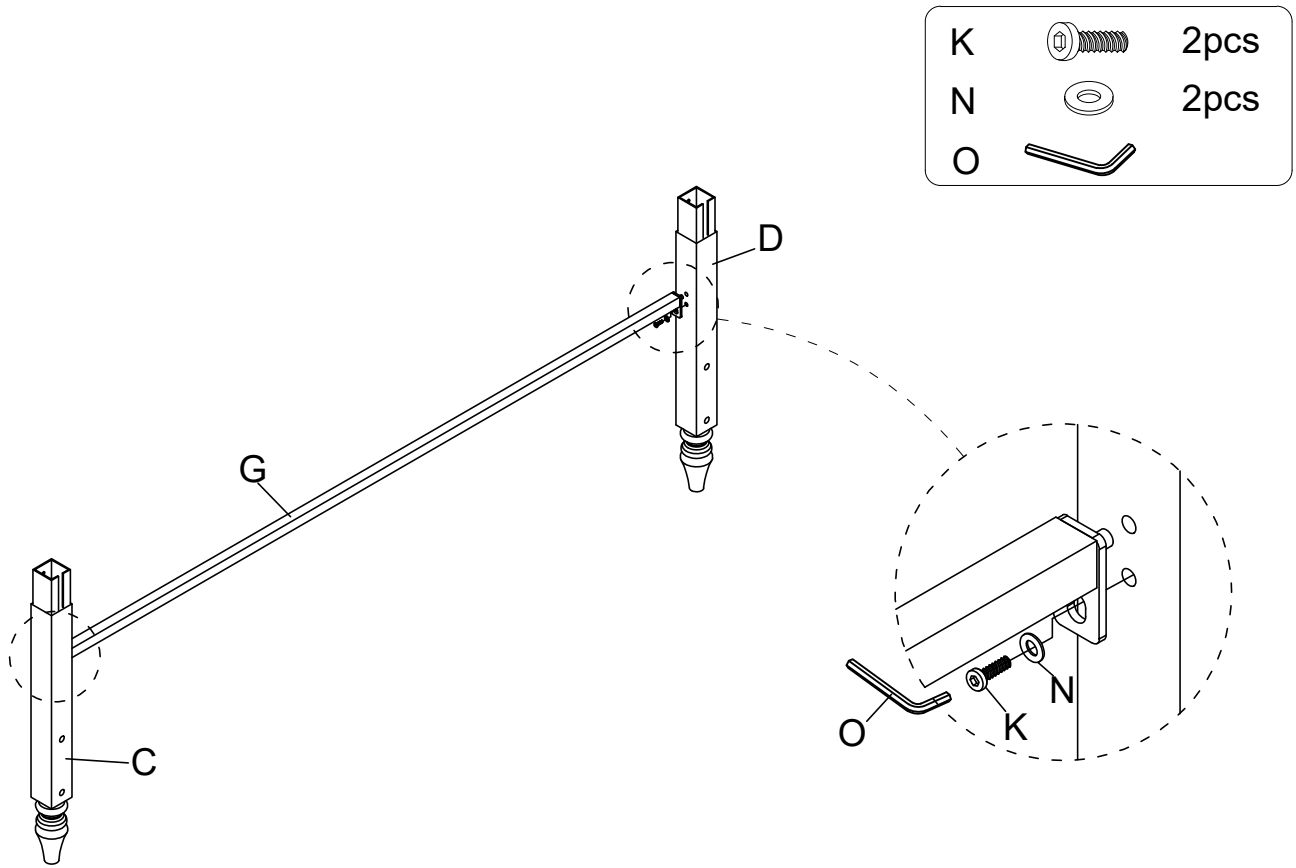


1pc

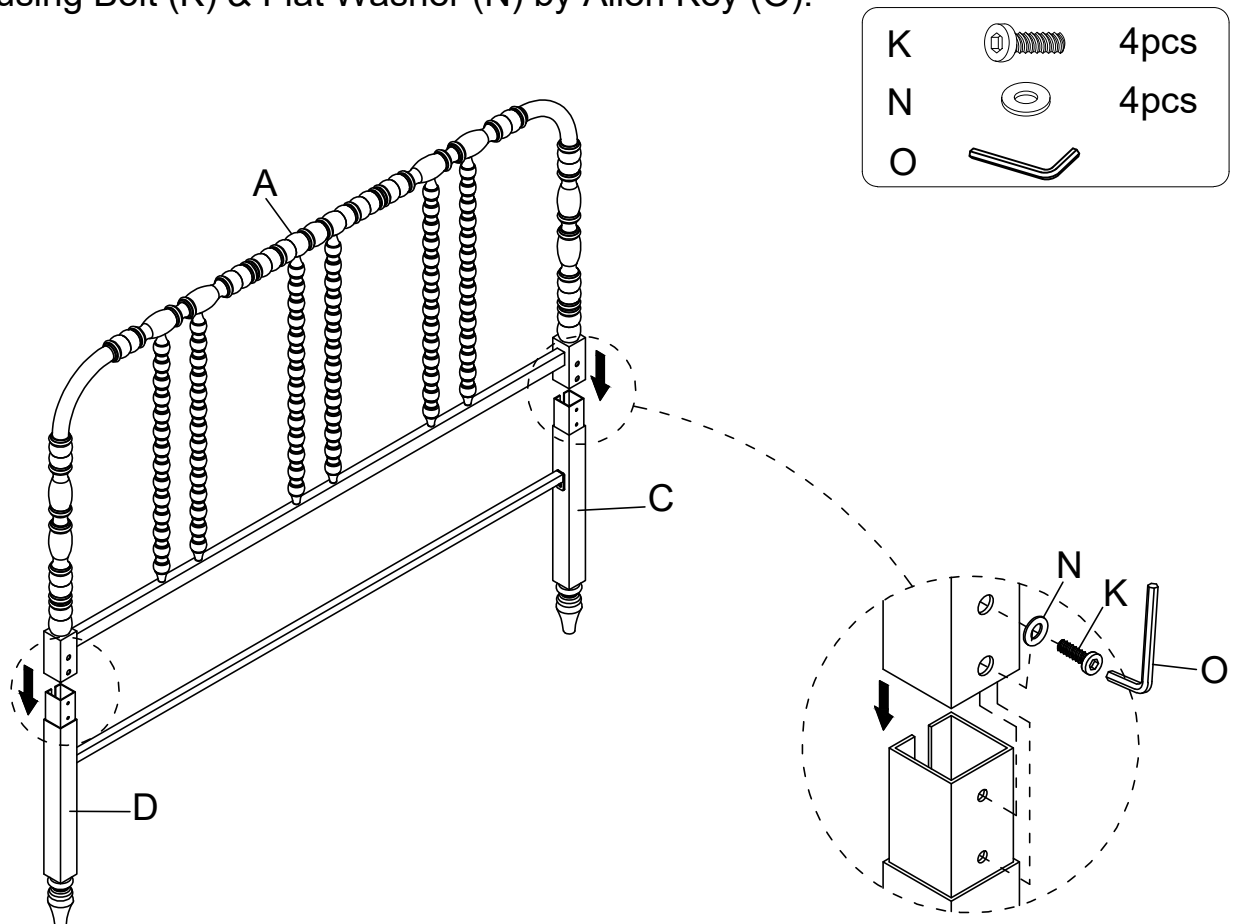


This page lists all the contents included in the box. Please take the time to identify the hardware as well as the individual components to this product. As you unpack and prepare for assembly, place the contents on a carpeted or padded area to protect them from damage.




1 Assemble Bar (G) to Extension Leg - Left (C) & Extension Leg - Right (D), using Bolt (K) & Flat Washer (N) by Allen Key (O).

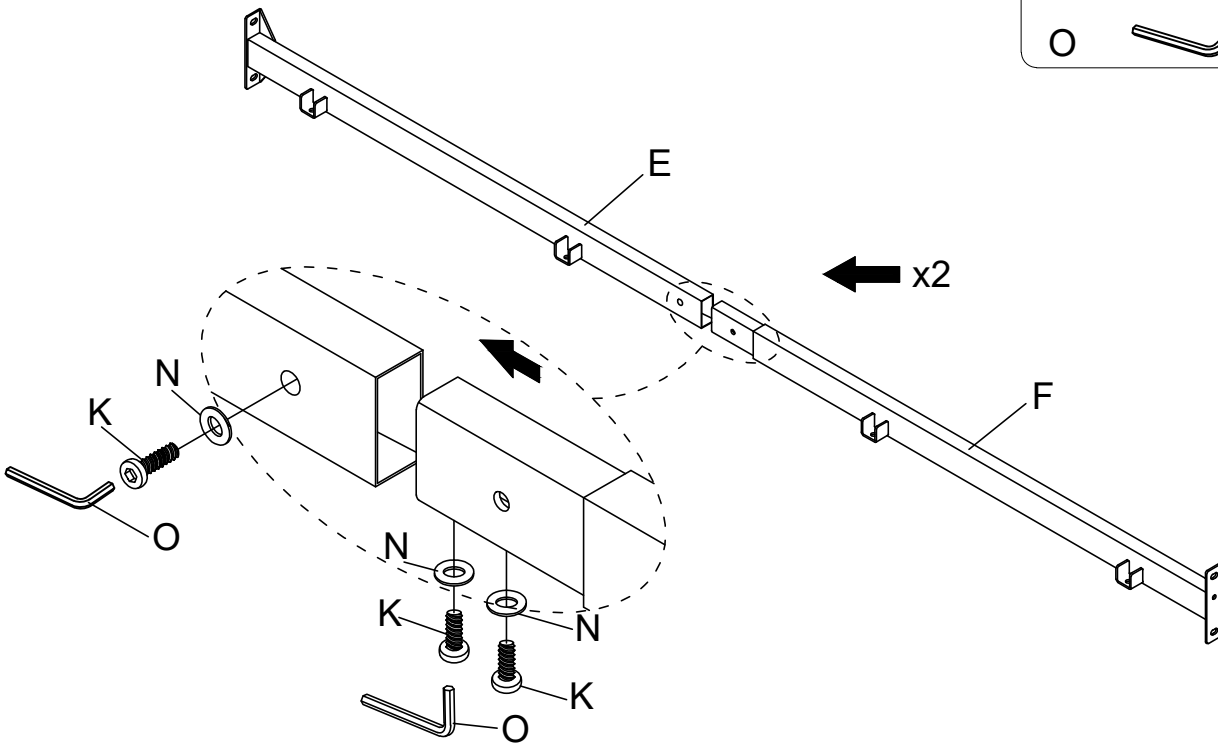


2 Assemble Headboard (A) to Extension Leg - Left (C) & Extension Leg - Right (D), using Bolt (K) & Flat Washer (N) by Allen Key (O).









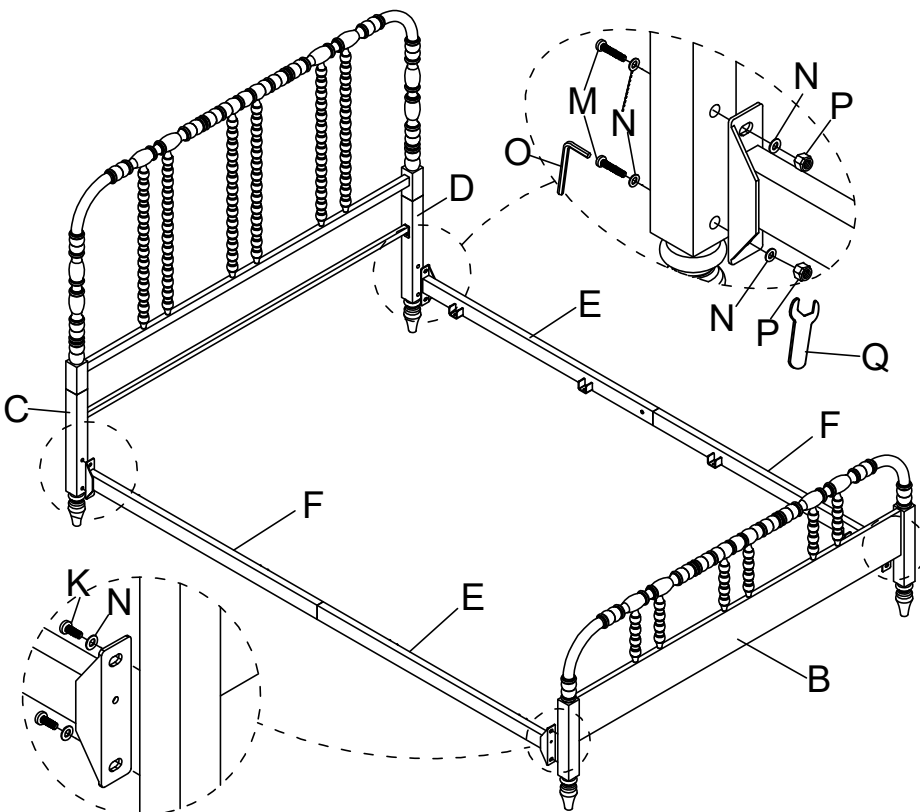
3 Connect both Side Rail - Front (E) to Side Rail - Rear (F), using Bolt (K) & Flat Washer (N) by Allen Key (O) as below shown.

K		6pcs
N		6pcs
O		

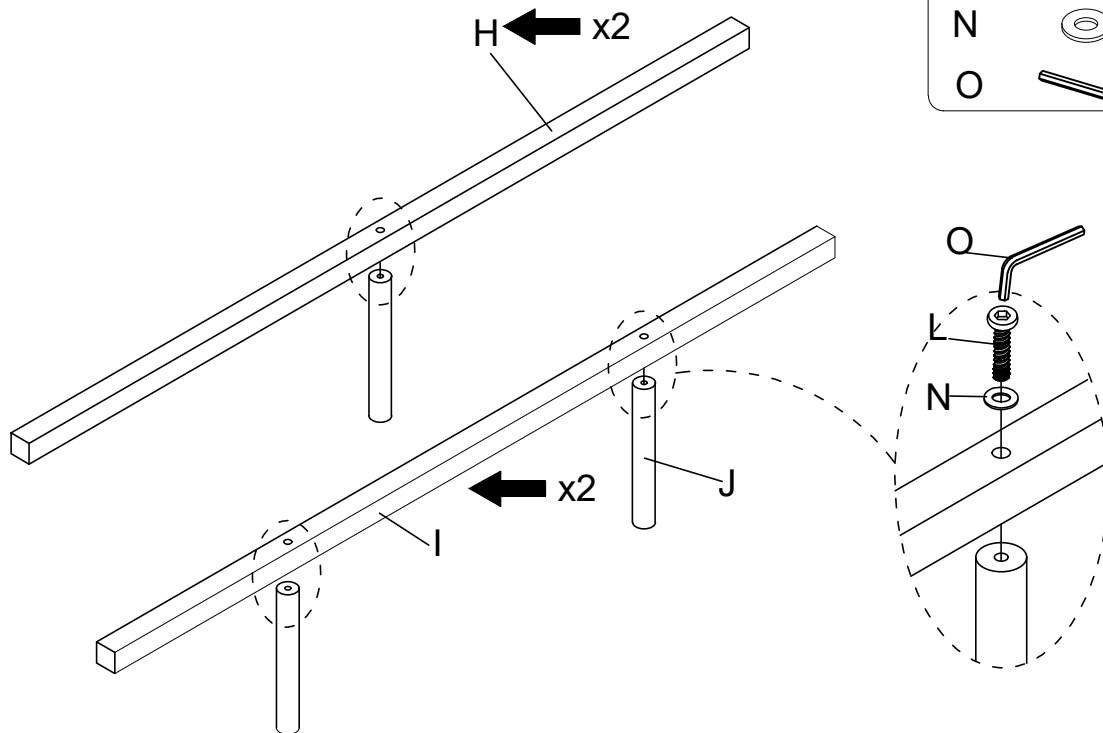





4 Assemble the pre-connected Side Rail - Front (E) & Side Rail - Rear (F) to Extension Leg - Left (C) & Extension Leg - Right (D) and Footboard (B), using Bolt (K), Bolt (M) & Flat Washer (N) by Allen Key (O) with Hex Nut (P) by Spanner (Q).

K		4pcs
M		4pcs
N		12pcs
O		
P		4pcs
Q		

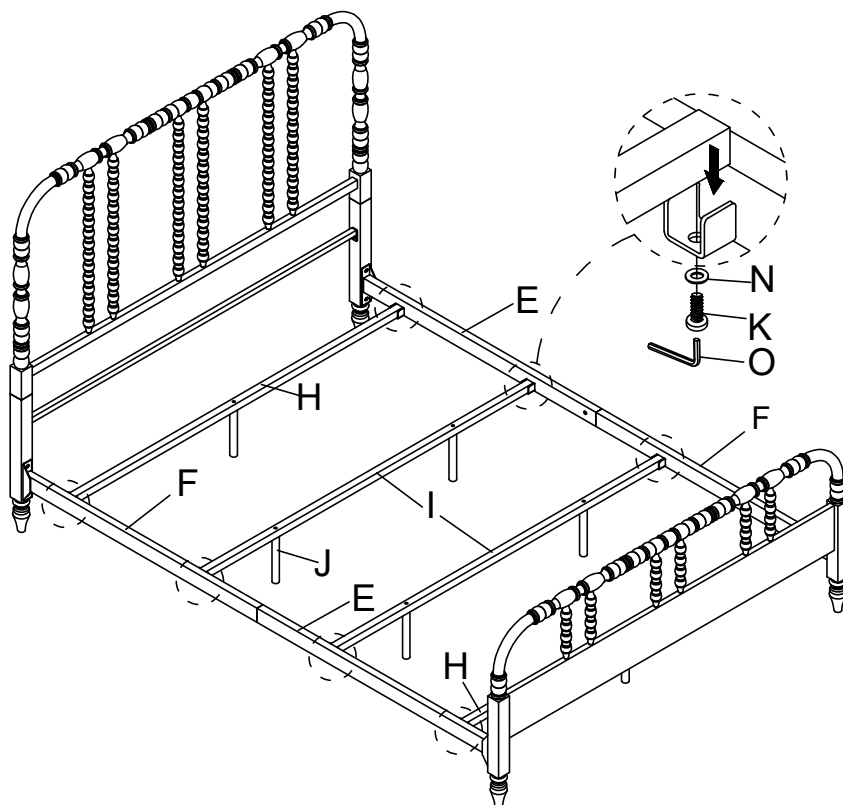





5 Attach the Support Leg (J) to Slat - Middle (I) and Slat -Front / Rear (H), using Bolt (L) & Flat Washer (N) by Allen Key (O) as below shown.



L		6 pcs
N		6 pcs
O		

6 Attach the pre-assembled Slat - Middle (I) and Slat - Front / Rear (H) to Side Rail - Front (E) & Side Rail - Rear (F), using Bolt (K) & Flat Washer (N) by Allen Key (O) as below shown.



K		8 pcs
N		8 pcs
O		

Cleaning & Care

Treat surface with care. Surface is resistant to scratches but is not scratch resistant. Clean surfaces with a dry or damp soft cloth. Do not use abrasive cleaners. Hardware may loosen over time. Periodically check that all connections are tight.