



# DTV+™ | K-528-K1

Digital two-port thermostatic valve

## Features

- Designed to work with a DTV+ digital system either individually or with a second digital valve (two, three, or six-port valve)
- For use in showering and/or bathing applications
- Up to 13 gpm (49.2 lpm) flow rate at 45 psi (3.1 bar) with maximum flow of 8 gpm (30.3 lpm) from one outlet
- 1/2" hot/cold supply inlets



DISCONTINUED



---

## Codes/Standards

ASME A112.18.1/CSA B125.1  
ASSE 1016/ASME A112.1016/CSA B125.16  
CSA C22.2 No. 14  
CSA C22.2 No. 68  
cUL Listed  
UL Listed

---

## Valves

Included Valves: Digital, Thermostatic

### Shower Valve

Flow Rate Maximum @ 45 psi: 13 gpm (49.2 l/min)  
Manufacturer's Minimum  
Rated Flow: 1.5 gpm (5.7 l/min)  
Pressure: 45 psi (3.1 bar)  
Maximum Static Pressure: 125 psi (8.6 bar)  
Minimum Operating Pressure: 20 psi (1.4 bar)

---

## Required Electrical Service

One dedicated circuit required, protected with Class A Ground-Fault Circuit-Interrupter (GFCI). Outside North America, this device may be known as a Residual Current Device (RCD).

Thermostatic valve: 120 V, 15 A, 60 Hz

## Electrical Component Ratings

Thermostatic valve: 120 V, 0.16 A, 60 Hz

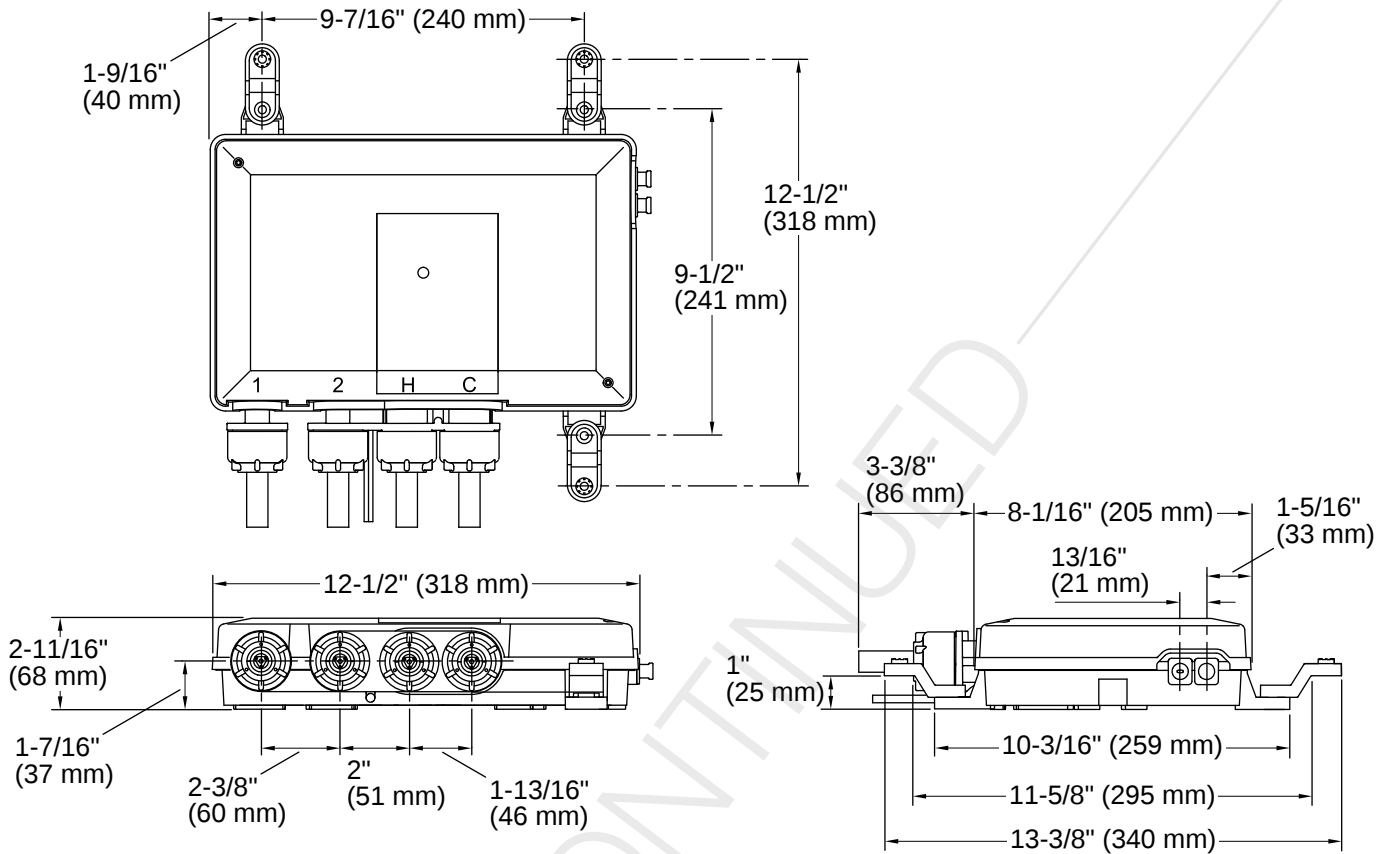
---

## Warranty

*See website for detailed warranty information.*

KOHLER® Electronic Faucets, Valves, and Controls Five-Year Limited Warranty





**Installation**

- Two independently controllable 1/2" (13 mm) outlets
- Prewired with three-prong plug for connection to 110 V AC receptacle
- Mounts within standard 2" x 4" (38 x 102 mm) walls

**Installation Notes**

*Install this product according to the installation instructions.*

For use with showerheads or handsprays rated at 1.5 gal/min (5.7 l/min) or higher.

If used for bath-shower system, the bath spout must be connected to the #1 outlet port and restricted to 10 gal/min (37.9 l/min) maximum. Provide access for servicing valve.

Use 1/2" supply lines.

Do not install this valve in walls exposed to subfreezing temperatures. Avoid mounting the valve in a wall adjacent to a frequently occupied room, such as a bedroom or living room.

Pressure regulators are strongly recommended in applications where large pressure swings are anticipated or pressure differences between the supplies exist, such as commercial installations with separate hot and cold supply systems.

Water hammer arrestors and shut-offs are required in both the hot and cold supplies.

A 1/2" cap must be installed on any unused outlet.

