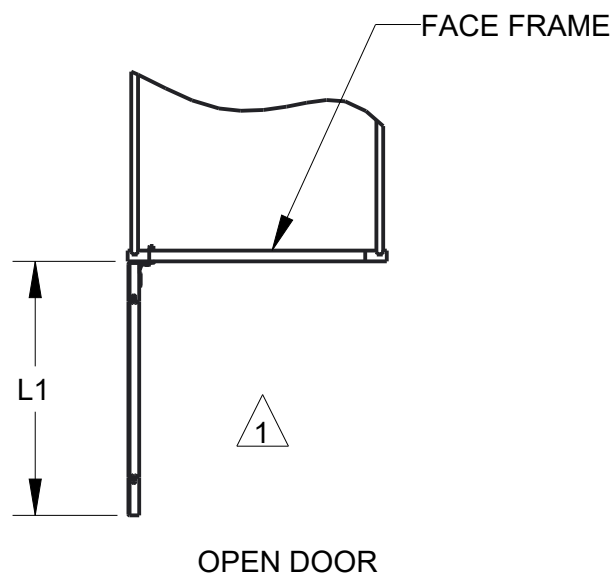
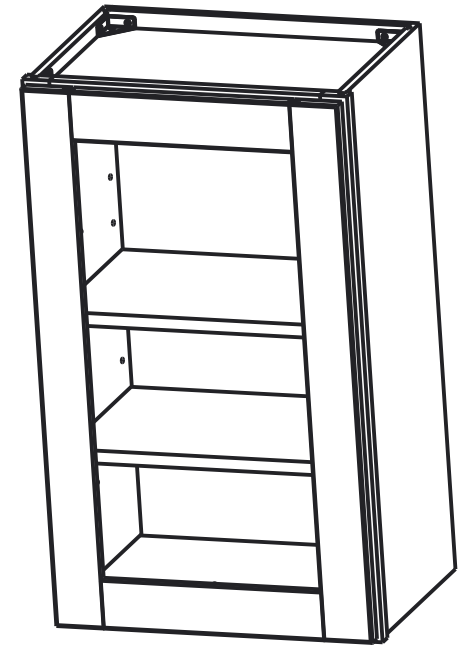
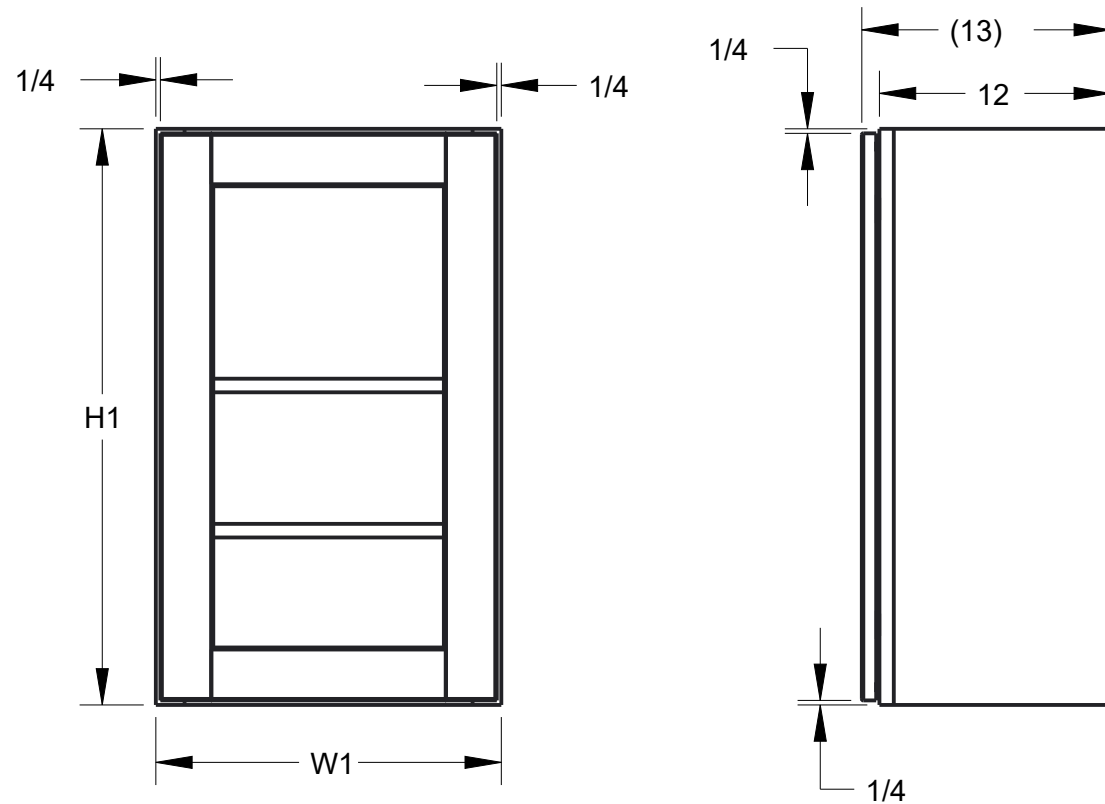


NOTES:

1 OPEN DOOR VIEW INCLUDES HINGE SPACE OFFSET.

PRODUCT	W1	H1	L1	DOOR SIZE
				ROUNDED TO THE NEAREST 1/32
W1530MI	15"	30"	14 11/16"	14 17/32" X 29 17/32"
W1830MI	18"	30"	17 11/16"	17 17/32" X 29 17/32"
W1536MI	15"	36"	14 11/16"	14 17/32" X 35 1/2"
W1836MI	18"	36"	17 11/16"	17 17/32" X 35 1/2"



OPEN DOOR

PRODUCT SHOWN W1830MI

DOCUMENT STATUS Released

HARDWARE RESOURCES RESERVES THE RIGHT TO CHANGE SPECIFICATIONS WITHOUT NOTICE.
IN CASE OF A DISCREPANCY, ACTUAL PART GEOMETRY SUPERSEDES THIS DOCUMENT.

THE INFORMATION CONTAINED WITHIN THIS DRAWING IS THE SOLE PROPERTY OF HARDWARE RESOURCES INC. ANY REPRODUCTION IN PART OR WHOLE WITHOUT WRITTEN PERMISSION OF HARDWARE RESOURCES INC. IS PROHIBITED.

THIRD ANGLE PROJECTION 		hardware resources		
MATERIAL N/A	FINISH N/A			
DRAWN BY ANDY BROWN	DATE 25MAR2021	DRAWING NUMBER W1530MI-W1830MI-W1536MI-W1836MI		REV A
DESIGNED BY NORTHPOINT	DATE 26MAR2021	SIZE A3	SCALE 0.100	SHEET 1 / 1