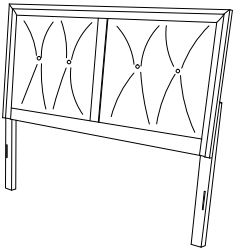
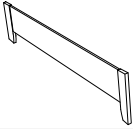


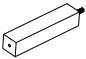

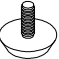
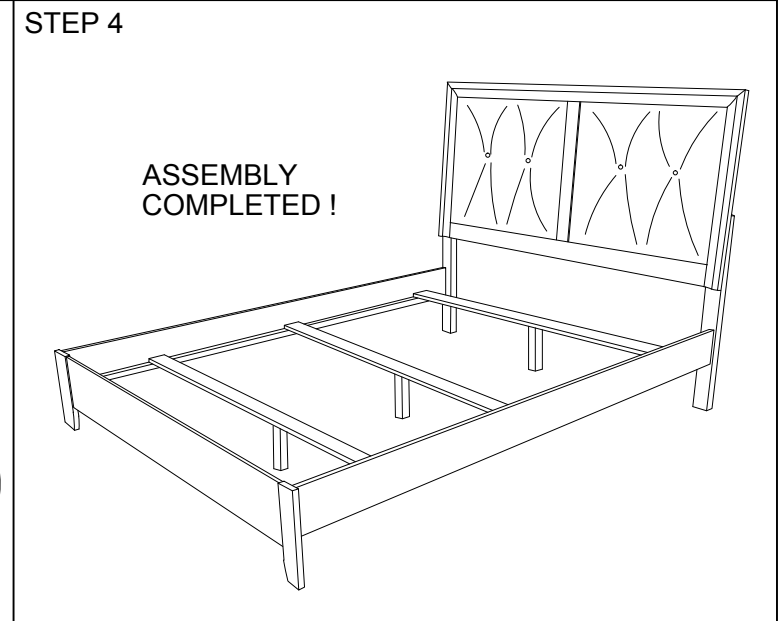
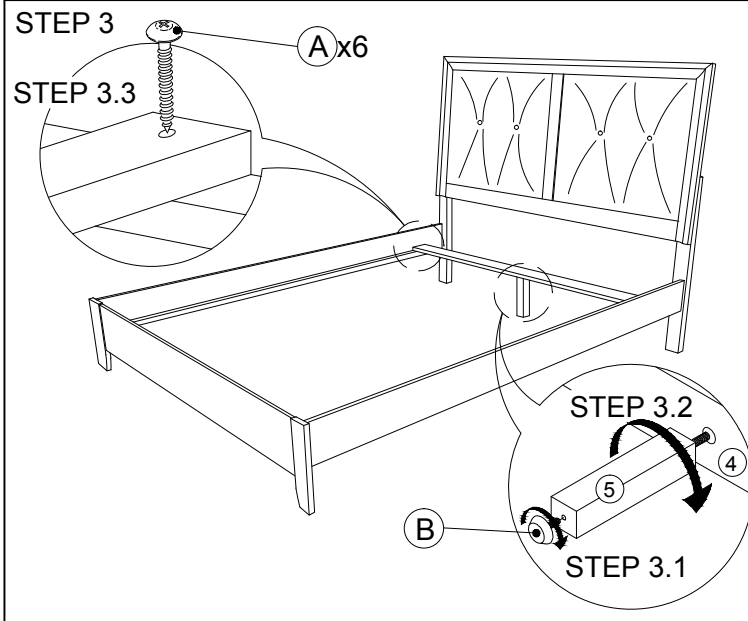
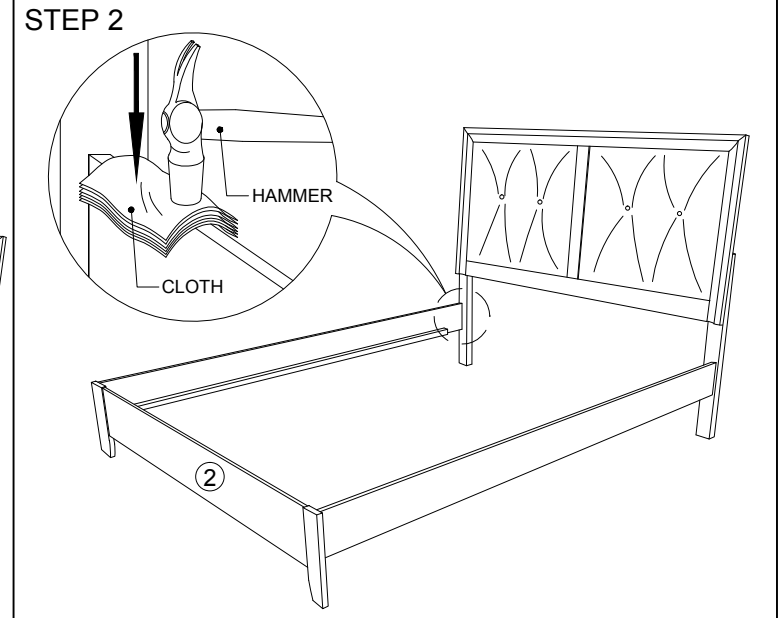
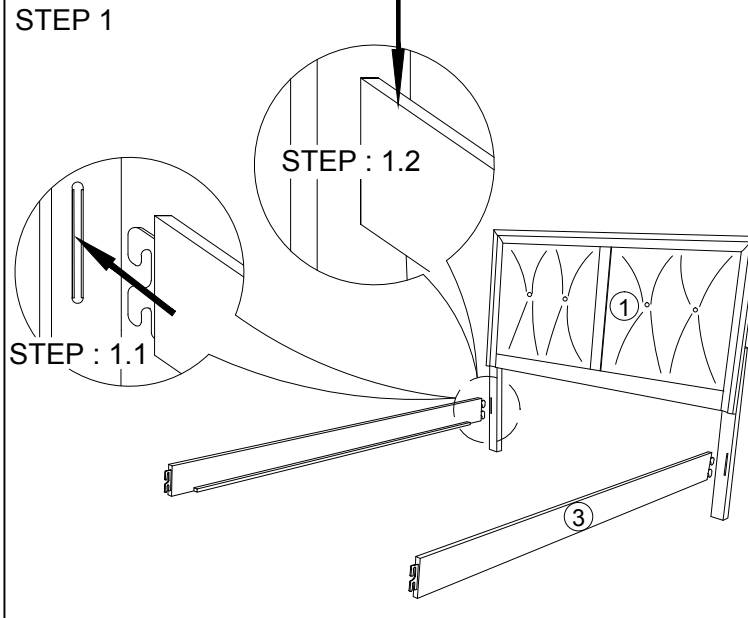


ASSEMBLY INSTRUCTION

HOMEELEGANCE

ITEM NUMBER : 2145F-1/2/3 FULL BED		
NO	PART LIST	QTY
1	HEAD BOARD 	1pc
2	FOOT BOARD 	1pc
3	SIDE RAIL 	2pcs
4	SLAT 	3pcs
5	SLAT SUPPORT 	3pcs
NO	HARDWARE LIST	QTY
A	PAN HEAD SCREW M4 x 32mm 	6pcs
B	ADJUSTER M8 x 23mm 	3pcs



NOTE: AFTER A FEW DAYS OF ASSEMBLY, IT WILL HAVE ACCLIMATIZED TO THE ENVIRONMENT. PLEASE TIGHTEN ALL HARDWARE. CHECK TIGHTNESS OF ALL SCREWS EVERY 6-8 WEEKS.