



Assembly & Installation Instructions

CAUTION: Read instructions carefully and turn electricity off at main circuit breaker panel before beginning installation.

2146, 2147, 2148, 2149

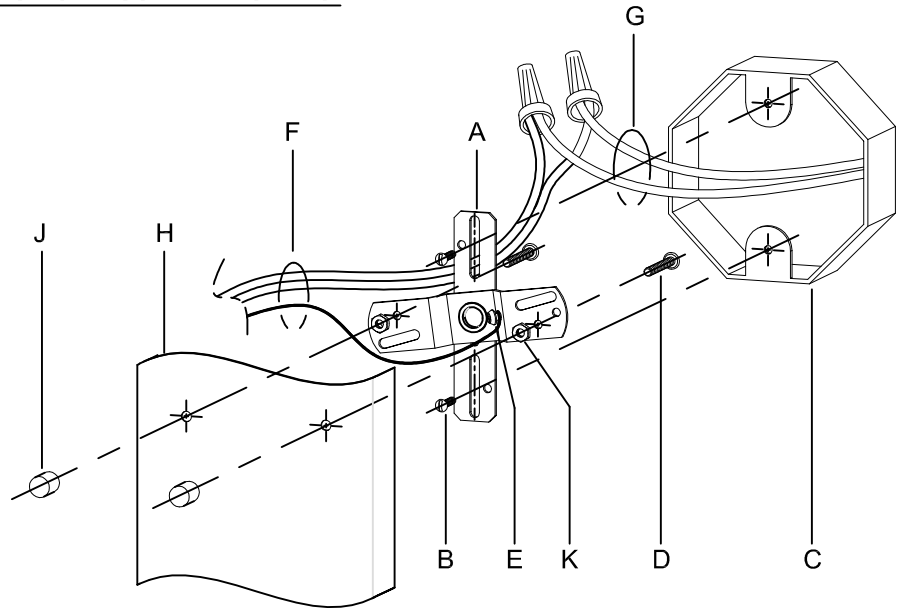
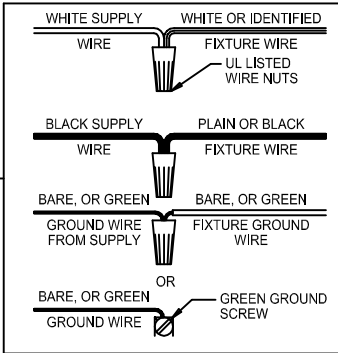
WARNING - If any Special Control Devices are used with this Fixture, Follow the Instructions Carefully to assure full compliance with N.E.C. requirements. If there are any questions, contact a Qualified Electrical Contractor.

WARNING - This product contains chemicals known to the State of California to cause cancer, birth defects and /or other reproductive harm. Thoroughly wash hands after installing, handling, cleaning, or otherwise touching this product.

CAUTION - All glass is fragile, use care when handling Glass component(s) and or Lamp(s).

CANOPY MOUNTING & WIRE CONNECTION ASSEMBLY STEPS:

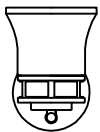
1. D,E → A
2. K → D
3. B,A → C
4. F → G
5. H,J → D



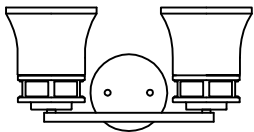
FIXTURE ASSEMBLY STEPS:

1. M,N → L
2. P → L

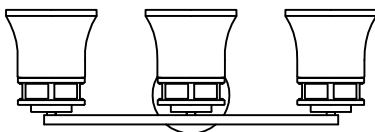
B, C, G & P
(NOT FURNISHED)
(NO INCLUIDA)
(NON FOURNIE)



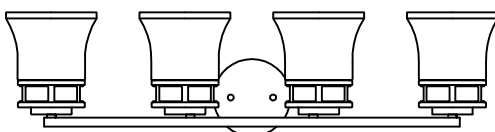
P2146



P2147



P2148



P2149

