



bestchoiceproducts



INSTRUCTION MANUAL

Foldable Fire Pit



WARNING

Do not use this product directly on a wood deck or near a side wall.

WARNING

Please retain these instructions for future reference.

- Do not alter this appliance. Any alteration can cause a safety hazard.
- This appliance is for outdoor use only and should not be used in a building, garage, or any other enclosed area.
- Do not use this product directly on a wood deck or near a side wall.
- Do not use this fire pit before it is completely assembled and all parts are securely fastened and tightened.
- Do not use this fire pit in, on, or near automobiles, trucks, vans, boats, and any other recreational vehicles.
- Light or use this fire pit in a safe vicinity of walls and buildings.
- Do not store or use gasoline, or any other flammable vapors or liquids in the safe vicinity of this fire pit.
- Do not use this fire pit under trees or near any other unprotected combustible area.
- Keep this appliance area clear and free from combustible objects/constructions and explosive atmosphere.
- Do not use this appliance in windy conditions.
- Only use this appliance on a hard and level surface such as concrete or rock.
- Children are not allowed to operate this fire pit.
- Do not leave children and pets around a lit fire pit unattended by adults.
- If you live in an apartment, learn the requirements and fire codes for using an outdoor fire pit in your apartment building. If allowed, use outdoors on the ground floor a safe distance from walls. Do not use on balconies.
- Keep a safe distance from the fire pit while in use.
- To avoid burns, do not touch any part of this appliance when in use; wait until it has completely cooled.
- Thoroughly empty and clean this appliance after every use.
- Do not use abrasive cleaners to clean any part of this outdoor fire pit as it may damage the finish.
- Use dry and seasoned hardwood only.
- Do not use charcoal briquettes, drift wood, manufactured logs, trash, leaves, paper, plywood, pine or cedar, gasoline, kerosene, diesel fuel, lighter fluid, or alcohol to light or relight fires.
- Do not overload the fire pit. If any part of the fire pit starts to turn red, it is overloaded.
- Do not breathe smoke from the fire pit and avoid getting smoke in your eyes.
- Use protective gear when assembling, touching, or using this appliance.
- After a period of non-use, confirm that the fire pit is secure. Do not operate until it is clean and necessary repairs are done.

NOTICE

- Improper adjustment, installation, usage, and maintenance could result in an explosion and cause serious injury or property damage.
- Read and follow all warnings and instructions thoroughly before appliance assembly, service, and use.
- Failure to follow warnings and instructions may cause death, serious injury, or property damage.
- If any parts are missing, broken, damaged, or worn, stop using this product until repairs are made and/or factory replacement parts are installed.
- Do not use this item in a way inconsistent with the manufacturer's instructions as this could void the product warranty.

TOOLS REQUIRED



WRENCH
(OPTIONAL)

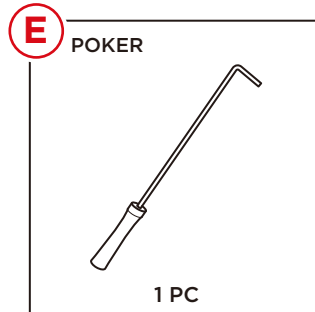
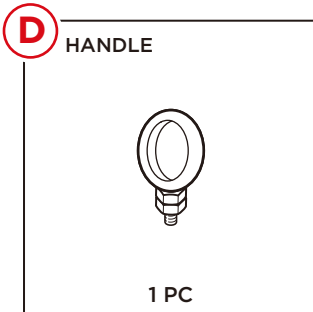
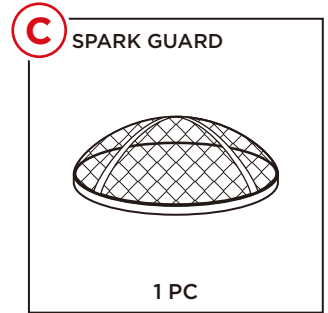
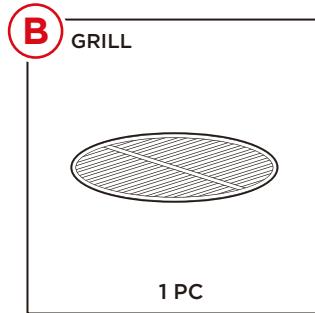
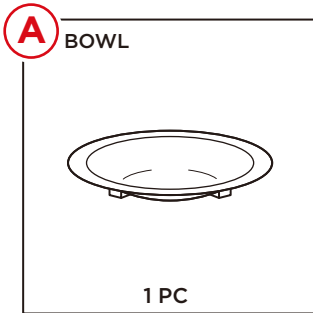


1 PERSON
ASSEMBLY



APPROXIMATELY
10 MIN.
ASSEMBLY

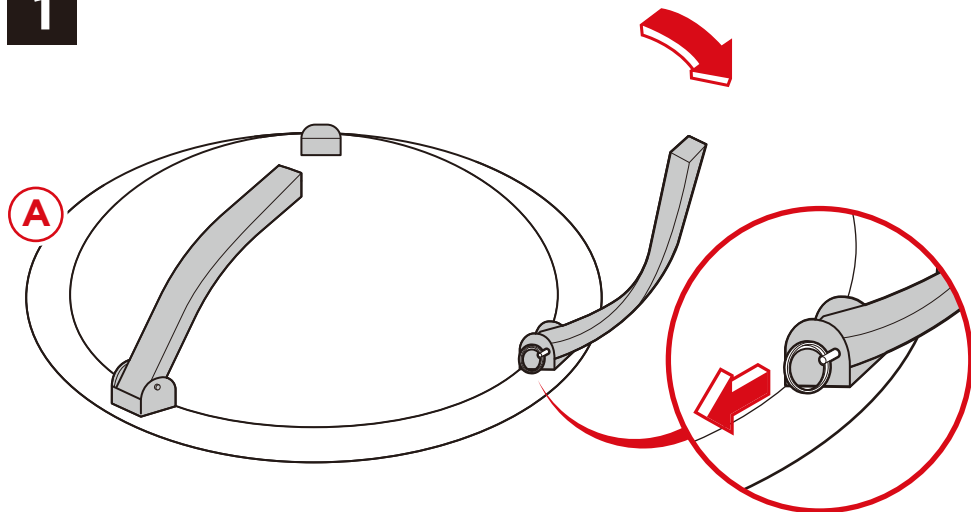
PARTS



PRODUCT ASSEMBLY

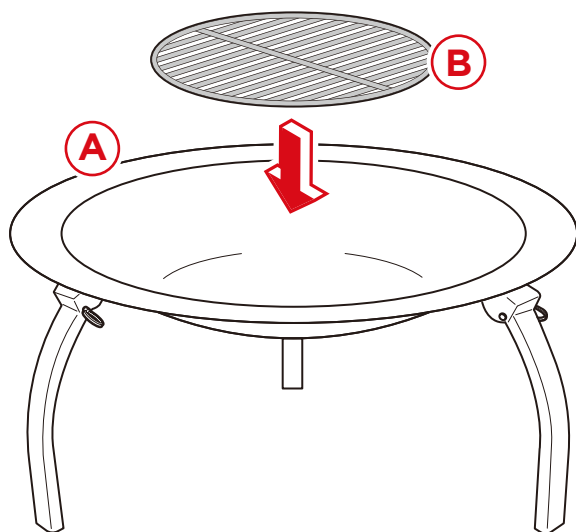
Please retain these instructions for future reference.

1



Flip the part A bowl upside down. Pull out the pin on a leg, flip out the leg, then release the pin to lock the leg in place. Repeat on the remaining legs.

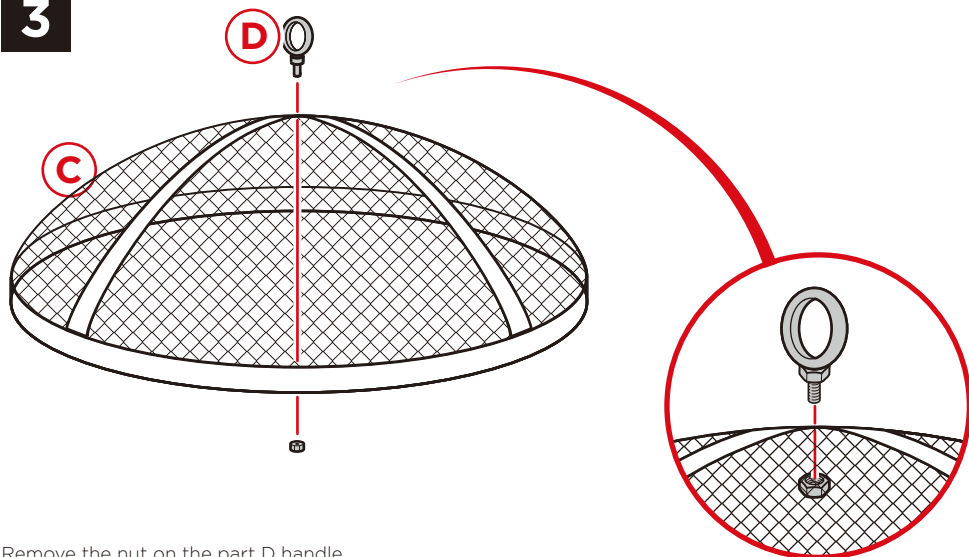
2



Place the bowl onto its legs. Place the part B grill.

PRODUCT ASSEMBLY

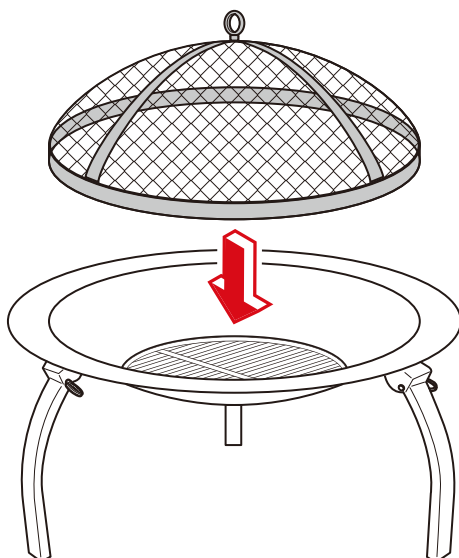
3



Remove the nut on the part D handle.

Replace the nut to attach the handle to the part C spark guard.

4



Place the spark guard on the bowl.

OPERATING INSTRUCTIONS

WARNING: Before using this outdoor fire pit, please thoroughly read and follow all warnings and instructions written in this manual. Failure to follow warnings and instructions may cause death, serious injury, or property damage.

LIGHTING THE WOOD

Do NOT use gasoline, kerosene, diesel fuel, lighter fluid or alcohol to light the fire.

1. Make sure that there is no ash in the bottom of the bowl.
2. Place dry kindling/natural fire starter in the center of the grate.
3. Place dry and seasoned hardwood. The wood should be a maximum of 18 inches in length.
4. Use a long match to light the kindling/fire starter.
5. Use heat-resistant gloves and poker to place the spark guard.

TENDING THE FIRE

Do NOT use gasoline, kerosene, diesel fuel, lighter fluid or alcohol to light a fire.

Do NOT place hot tools onto combustible surfaces such as grass or wooden furniture.

1. Use heat-resistant gloves and poker to remove the spark guard.
2. Use the poker to shift logs to allow additional airflow.
3. Wait until embers have developed before adding any additional wood.
4. If additional wood is added, carefully place wood on top of embers.
5. Use heat-resistant gloves and poker to replace spark guard.

EXTINGUISHING THE FIRE

Allow the fire to burn out. Do NOT pour water to extinguish the fire because it is dangerous and may cause damage.

CARE AND MAINTENANCE

This outdoor fire pit must be thoroughly inspected, cleaned, and properly stored to ensure product safety and prolonged product life.

NOTE: After repeated use, a slight discoloration of the finish may occur.

CAUTION:

- All cleaning and maintenance must be executed when the outdoor fire pit is completely cool and all fuel is removed.
- Do not clean any part of this appliance with abrasive oven cleaners.
- Do not clean any part of this appliance in a self-cleaning oven as it may damage the finish.

INSPECTION

1. Check the handle to make sure it is fixed and secured.
2. Check all parts to see if there are any signs of damage or rust.
3. If damage to any component is detected, do not use this fire pit until repairs are completed.

CARE AND MAINTENANCE



CLEANING

1. Use a soft cloth to wipe exterior surfaces with mild dishwashing detergent or baking soda.
2. For stubborn stains, use a citrus-based degreaser and a nylon scrubbing brush.
3. Rinse clean with water.

STORAGE

1. When the fire is out and the fire pit is cool, remove and properly dispose of the ashes.
2. Store the outdoor fire pit in a cool and dry location away from children and pets.
3. For greater longevity, keep the outdoor fire pit covered when not in use.

CALIFORNIA PROPOSITION 65

WARNING

This product can expose you to chemicals including carbon monoxide, which is known to the State of California to cause cancer or birth defects or other reproductive harm.

For more information go to www.P65Warnings.ca.gov

PRODUCT WARRANTY INFORMATION

All items can be returned for any reason within 60 days of the receipt and will receive a full refund as long as the item is returned in its original product packaging and all accessories from its original shipment are included. All returned items will receive a full refund back to the original payment method. All returned items will not be charged a re-stocking fee.

All returned items require an RA (Return Authorization) number, which can only be provided by a Best Choice Products Customer Service Representative when the return request is submitted. Items received without an RA may not be accepted or may increase your return processing time. Once an item has been received by Best Choice Products, refunds or replacements will be processed within 5 business days.

All returns must be shipped back to the Best Choice Products Return Center at the customer's expense. If the reason for return is a result of an error by Best Choice Products then Best Choice Products will provide a pre-paid shipping label via email. Boxes for return shipping will not be provided by Best Choice Products, and is the customer's responsibility to either use the original shipping boxes or purchase new boxes.

Pictures may be required for some returns to ensure an item is not damaged prior to its return. Items returned are not considered undamaged until they are received by Best Choice Products and verified as such. All damages to items are the customer's responsibility until the item has been received by and acknowledge by Best Choice Products as undamaged.

CONTACT US; WE'RE HERE 7 DAYS A WEEK TO HELP YOU!



bestchoiceproducts.com



customerservice@bestchoiceproducts.com



844.948.8400



LEARN MORE!

WARNING

Manufacturer and seller expressly disclaim any and all liability for personal injury, property damage or loss, whether direct, indirect, or incidental, resulting from the incorrect attachment, improper use, inadequate maintenance, or neglect of this product.