

Installation Instructions

Wall Sconce

Record your model number:
Noter le numéro de modèle:
Anoté su número de modelo: _____

Français, page 8
Español, página 14

KOHLER®

Thank You for Choosing KOHLER

Need help? Contact our Customer Care Center.

- USA/Canada: 1-800-4KOHLER (1-800-456-4537) Mexico: 001-800-456-4537
- Service parts: kohler.com/serviceparts
- Care and cleaning: kohler.com/clean
- Patents: kohlercompany.com/patents

Warranty

This product is covered under the **KOHLER® Indoor Lighting Fixtures Limited Warranty**, found at kohler.com/warranty. For a hardcopy of warranty terms, contact the Customer Care Center.

Tools and Materials







Electrical Tape Wire Cutter/Stripper

Plus:

- E26 Base G16, T10, or B11 Bulb(s) (Max 60 W)

Before You Begin

-  **DANGER: Risk of electric shock.** To avoid electrical shock, the electricity must be turned OFF at the circuit breaker or fuse box before beginning installation.
-  **DANGER: Risk of electric shock.** To avoid electrical shock, the electrical outlet box must be properly grounded.
-  **CAUTION: Risk of property damage.** To avoid risk of fire, this fixture has been rated for bulbs up to 60 W. Do not exceed this rating.
-  **CAUTION: Risk of property damage.** To avoid risk of fire, fixtures that contain three or four sconces must be installed on a noncombustible wall surface when used with a 60 W bulb.

Follow all local plumbing, building, and electrical codes.

Please read all instructions before you begin.

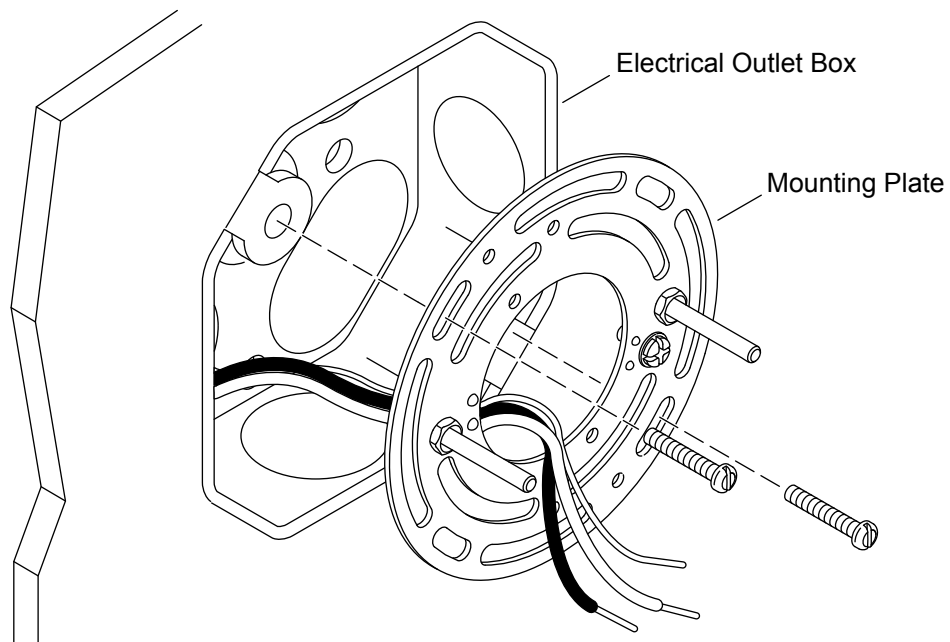
The fixture should be installed by a qualified electrician.

This fixture is for indoor use only.

Carefully inspect the fixture for damage.

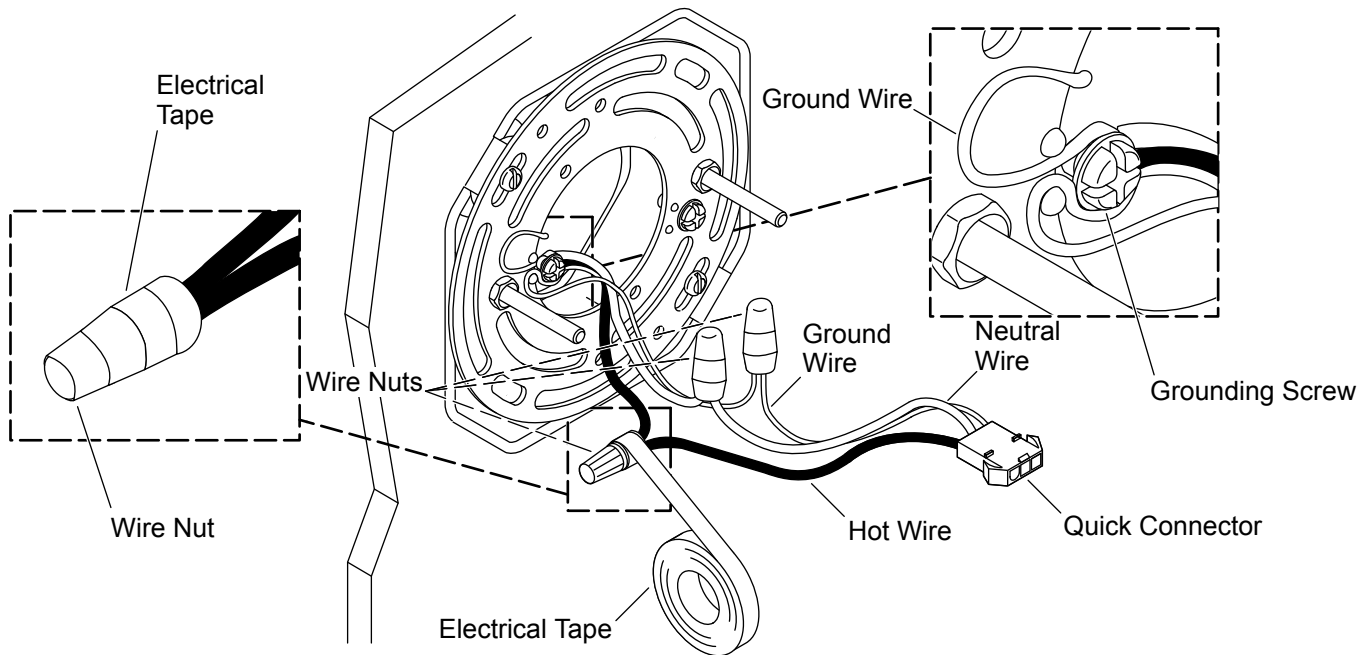
Your product may appear different from the one illustrated. The installation procedure is the same.

1. Install the Mounting Plate



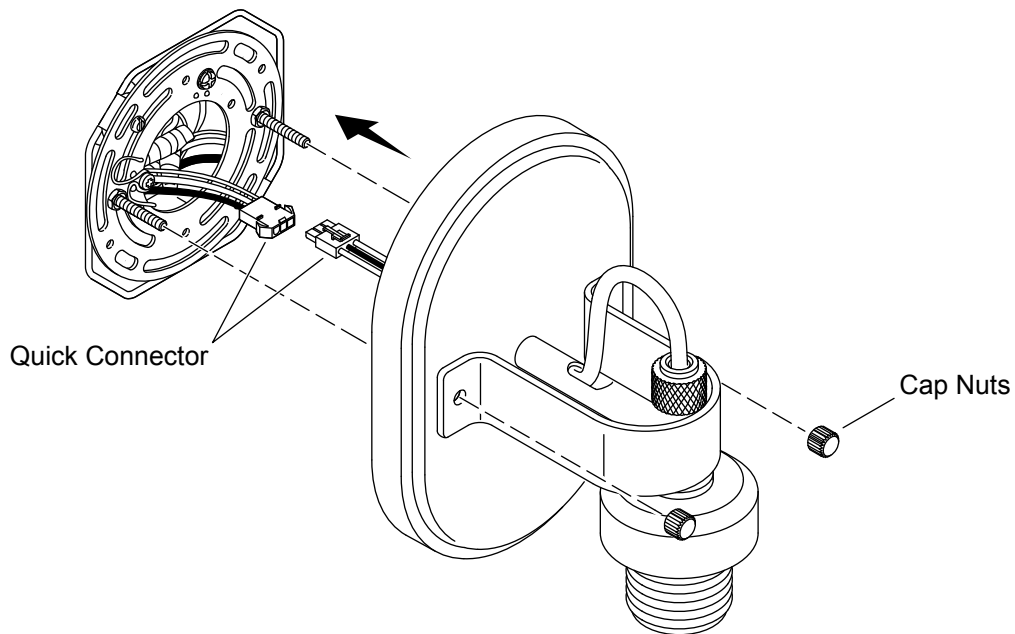
- Carefully pull out the electrical wires from the electrical outlet box and allow the electrical wires to hang down.
- Position the flat side of the mounting plate flat against the electrical outlet box.
- Align the mounting holes on the mounting plate with the holes on the electrical outlet box.
- Securely tighten the mounting plate to the electrical outlet box with the mounting screws (included).
- Verify that the protruding screws are level.

2. Connect the Electrical Wires



- Make a loop in the ground wire and wrap around the grounding screw on the mounting plate. Tighten the grounding screw.
- Attach the ground wire (green), from the quick connector, to the ground wire (usually bare copper or green) from the electrical outlet box.
- Fasten the ground wires together with the provided wire nut.
- Attach the neutral wire (white), from the quick connector, to the neutral wire (usually white) in the electrical outlet box.
- Fasten the neutral wires together with the provided wire nut.
- Attach the hot wire (black), from the quick connector, to the hot wire (usually black) in the electrical outlet box.
- Fasten the hot wires together with the provided wire nut.
- Wrap the wire nuts with electrical tape.
- Verify that all plastic wire nuts are securely fastened and strands of bare wire are not exposed.

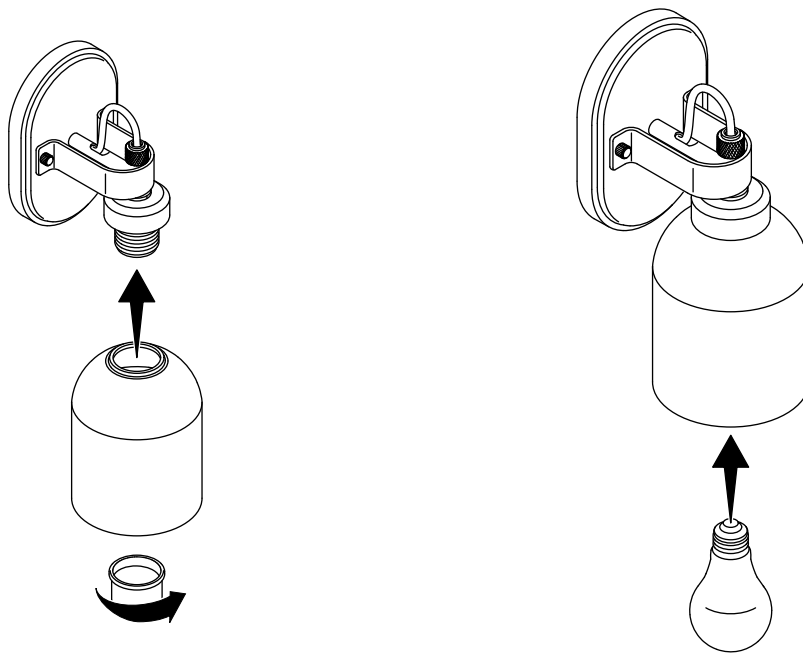
3. Install the Fixture



NOTE: Your product may appear different than the one illustrated. The installation procedure is the same.

- Carefully position the electrical wires inside the electrical outlet box behind the mounting plate.
- Connect the quick connector to the fixture.
- Position the fixture over the mounting plate and align the screw holes.
- Secure the fixture to the mounting plate with the provided cap nuts.
- Verify that the fixture is flush against the wall.

4. Install the Shade(s)



- Remove the socket ring from the socket.
- Position the shade onto the socket base.
- Secure the shade to the socket base with the socket ring.
- Insert the light bulb(s) into the light bulb socket(s).
- Turn ON the main electrical supply from the main fuse or circuit breaker.
- Confirm proper operation.