

# Installation Instructions

## Vanity

Record your model number:  
Noter le numéro de modèle:  
Anoté su número de modelo: \_\_\_\_\_

Français, page 11  
Español, página 20

**KOHLER®**

# Thank You for Choosing KOHLER

---

Need help? Contact our Customer Care Center.

- USA/Canada: 1-800-4KOHLER (1-800-456-4537) Mexico: 001-800-456-4537
- Service parts: [kohler.com/serviceparts](http://kohler.com/serviceparts)
- Care and cleaning: [kohler.com/clean](http://kohler.com/clean)
- Patents: [kohlercompany.com/patents](http://kohlercompany.com/patents)

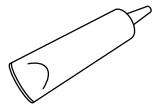
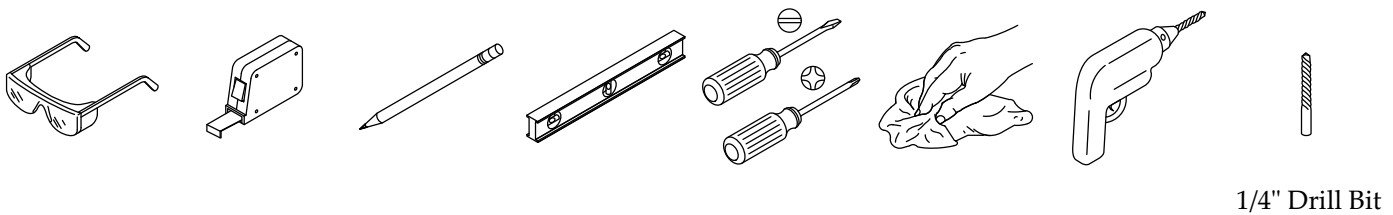
## Warranty

---

This product is covered under the KOHLER® One-Year Limited Warranty, found at [kohler.com/warranty](http://kohler.com/warranty). For a hardcopy of warranty terms, contact the Customer Care Center.

## Tools and Materials

---










Siliconized Acrylic Caulk

### Plus:

- 2x6s
- Stud Finder
- Framing and Framing Fasteners
- Drywall and Drywall Tools
- 5/16" Lag Bolts and Washers (250 lb [113.4 kg] Load Bearing)

## Before You Begin

---

-  **WARNING: Risk of serious or fatal injury.** To avoid tipping over, the cabinet must be properly secured to the wall.
-  **CAUTION: Risk of personal injury or property damage.** Select 250 lb (113.4 kg) load-bearing 5/16" lag bolts with a length to clear obstacles in the wall and 5/16" washers. Calculate the proper lag bolt length by adding the following: 1-1/2" (38 mm) backing material, plus the wallboard thickness, plus the back rail thickness.
-  **CAUTION: Risk of personal injury or property damage.** Product can break, chip, or cause injury if handled carelessly. Get help lifting the countertop and sink.
-  **CAUTION: Risk of product damage.** Do not modify the vanity. Doing so will compromise structural stability.
-  **CAUTION: Risk of property damage.** To properly support the weight of the vanity and vanity top/sink, secure to stud framing or 2x6 support behind the finished wall.
-  **CAUTION: Risk of product damage.** Do not sit or stand on the cabinet.
-  **CAUTION: Risk of product damage.** Use care when moving the cabinet to avoid impacting, sliding, or side-loading the legs.

**NOTICE:** Siliconized acrylic caulk must be used to secure a sink or countertop to the vanity. Do not use 100% silicone sealant, which will damage the finish of the vanity.

Follow all local plumbing and building codes.

Your product may appear different than the one illustrated. The installation procedure is the same.

Two people should perform this installation.

## IMPORTANT HEALTH NOTICE

---

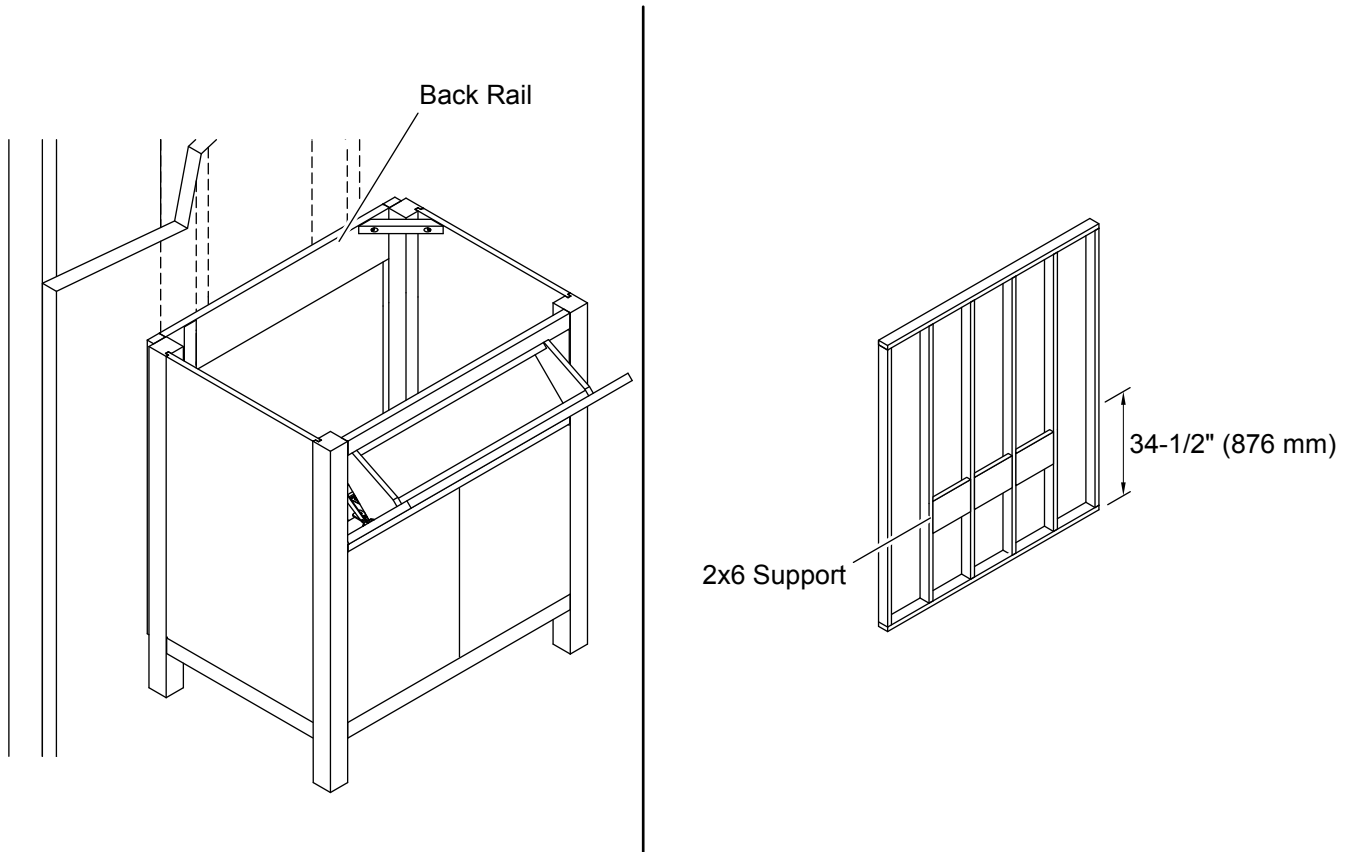
Some of the building materials used in this home (or these building materials) emit formaldehyde. Eye, nose, and throat irritation, headache, nausea and a variety of asthma-like symptoms, including shortness of breath, have been reported as a result of formaldehyde exposure. Elderly persons and young children, as well as anyone with a history of asthma, allergies, or lung problems, may be at greater risk. Research is continuing on the possible long-term effects of exposure to formaldehyde.

Reduced ventilation may allow formaldehyde and other contaminants to accumulate in the indoor air. High indoor temperatures and humidity raise formaldehyde levels. When a home is to be located in areas subject to extreme summer temperatures, an air-conditioning system can be used to control indoor temperature levels. Other means of controlled mechanical ventilation can be used to reduce levels of formaldehyde and other indoor air contaminants.

If you have any questions regarding the health effects of formaldehyde, consult your doctor or local health department.

## 1. Prepare the Site

---



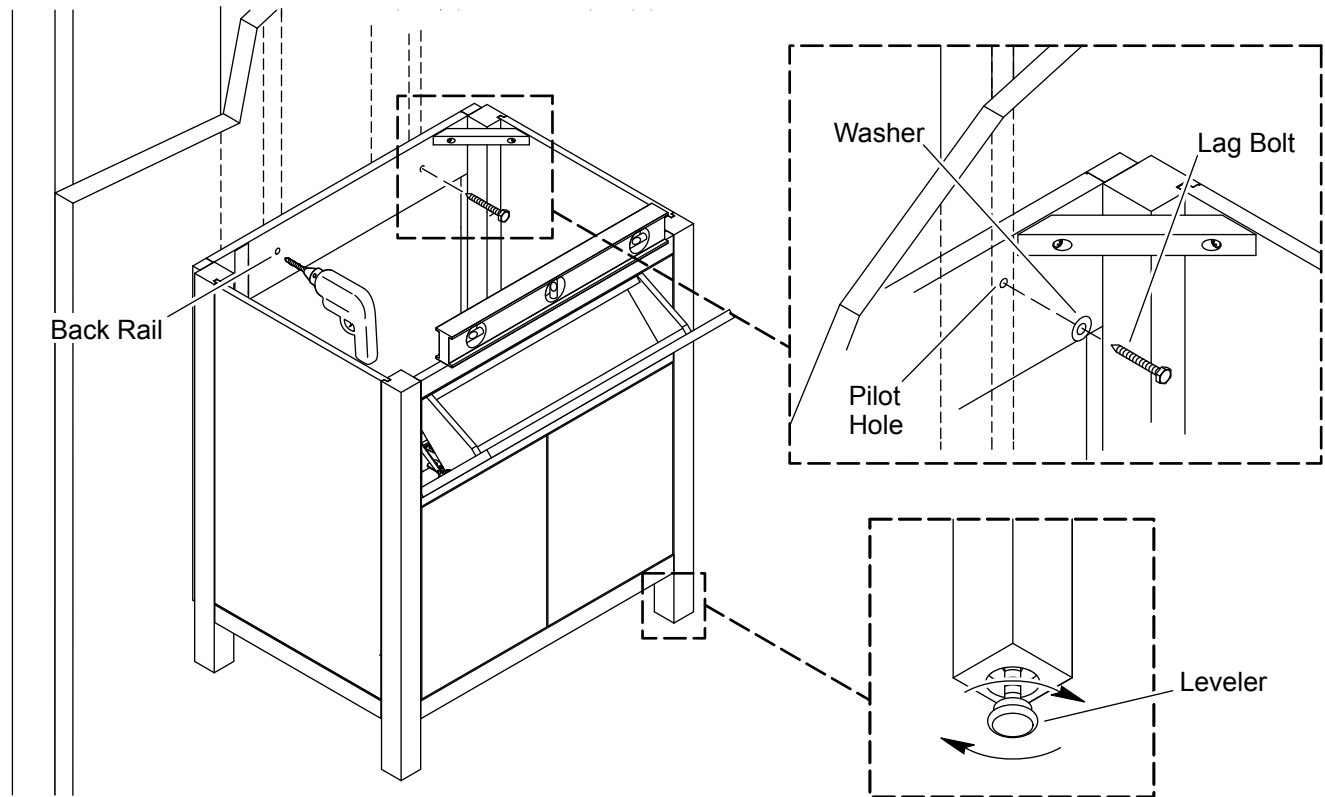
**⚠ CAUTION: Risk of property damage.** To properly support the weight of the vanity and vanity top/sink, secure to stud framing or 2x6 support behind the finished wall.

- Install the vanity to two or more studs, with one stud at each end of the back rail. Locate the studs and determine if additional 2x6 support is needed.
- If installing 2x6 support, install 2x6s between the wall studs at the desired vanity location. The height from the finished floor to the top of the 2x6 support should be 34-1/2" (876 mm) and flush with the front of the wall studs.
- Plan for routing supply and drain piping for your desired sink installation.

**NOTICE:** To verify proper support and alignment: The finished wall must be straight and plumb. The floor must be flat and perpendicular to the finished wall.

- Complete the finished wall.

## 2. Secure the Vanity



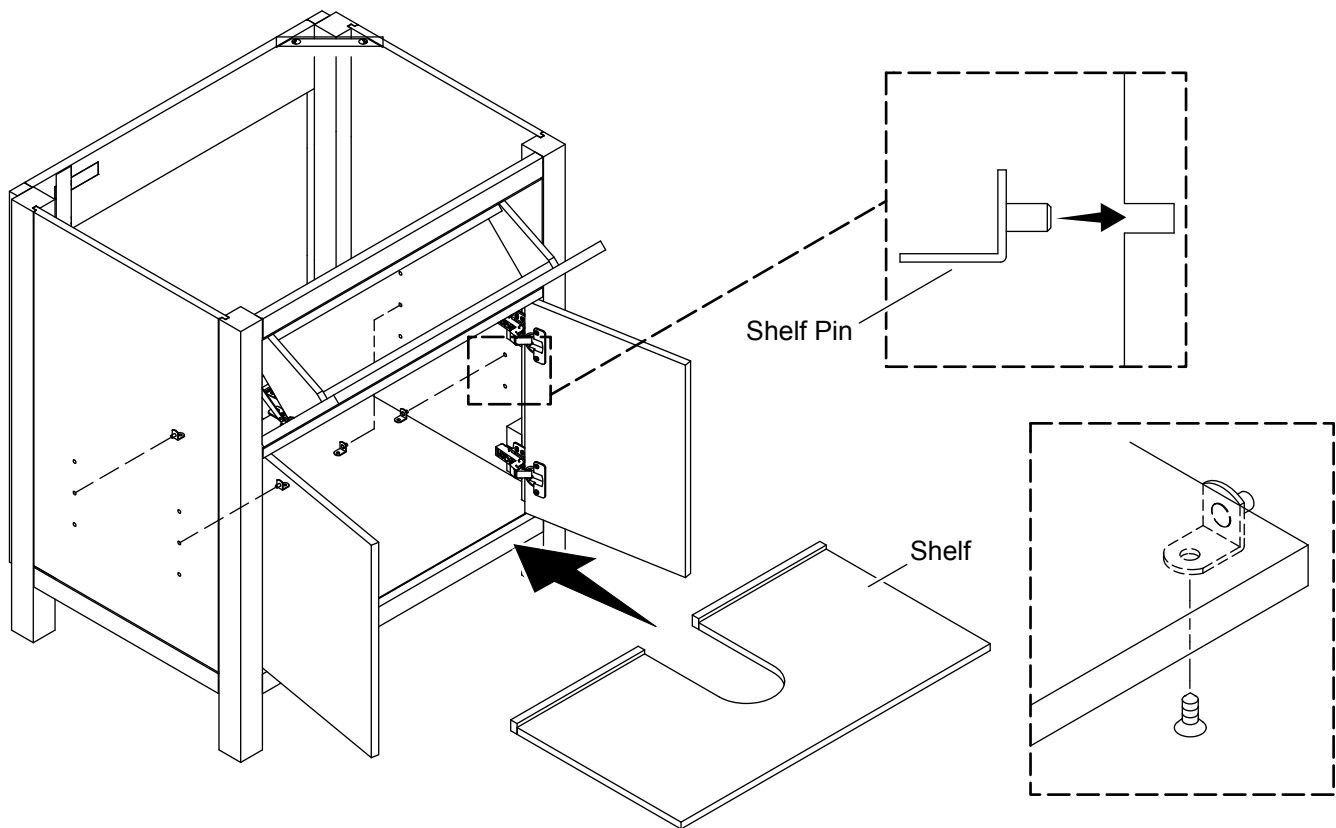
**⚠ CAUTION: Risk of personal injury or property damage.** Select 250 lb (113.4 kg) load-bearing 5/16" lag bolts with a length to clear obstacles in the wall and 5/16" washers. Calculate the proper lag bolt length by adding the following: 1-1/2" (38 mm) backing material, plus the wallboard thickness, plus the back rail thickness.

**⚠ CAUTION: Risk of product damage.** Drill the lag bolt pilot holes near the ends of the back rail to provide maximum support and to prevent flexing of the vanity.

- With assistance, lift and place the cabinet in position against the finished wall. **Do not slide or side-load the legs.**
- Verify that the vanity is level and plumb against the wall. If necessary, turn the levelers to adjust the unit.
- For 60" and 72" Vanities** If the vanity has a center leg, verify that the leveler is adjusted so that the middle of the vanity is supported.
- Verify that there is proper clearance for the doors to open fully.
- Using a 1/4" drill bit, drill a pilot hole through each end of the back rail and into the finished wall. Verify that the holes align with the 2x6 support or a wall stud.
- Secure the vanity to the wall with the two 5/16" lag bolts (not provided).

### 3. Adjust the Shelves

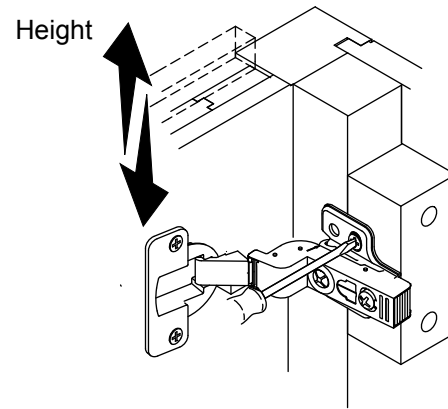
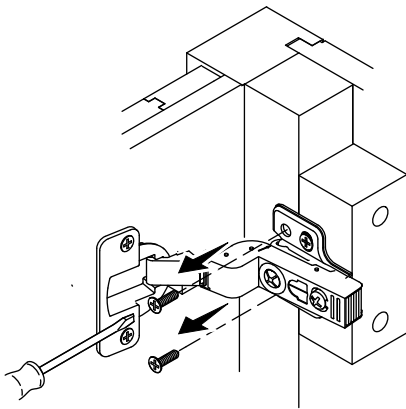
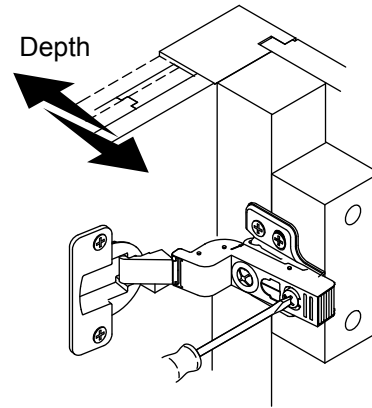
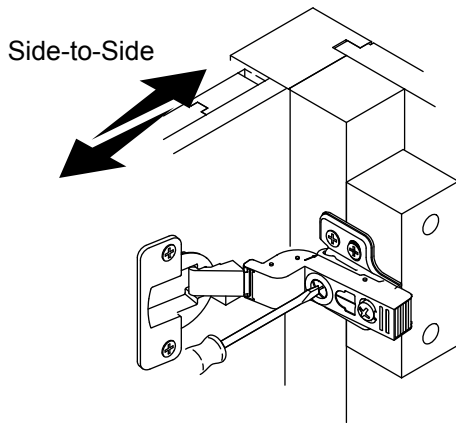
---



- From under the shelf, remove the screws securing the shelf in place.
- Remove the shelf.
- Adjust the position of the shelf by moving the shelf pins to the side holes at the desired height.
- Replace the shelf and use the screws to secure the shelf in place.

## 4. Adjust the Door

---



### Side-to-Side Adjustment

- Tighten or loosen the front screw on the hinge to adjust the horizontal position of the door.

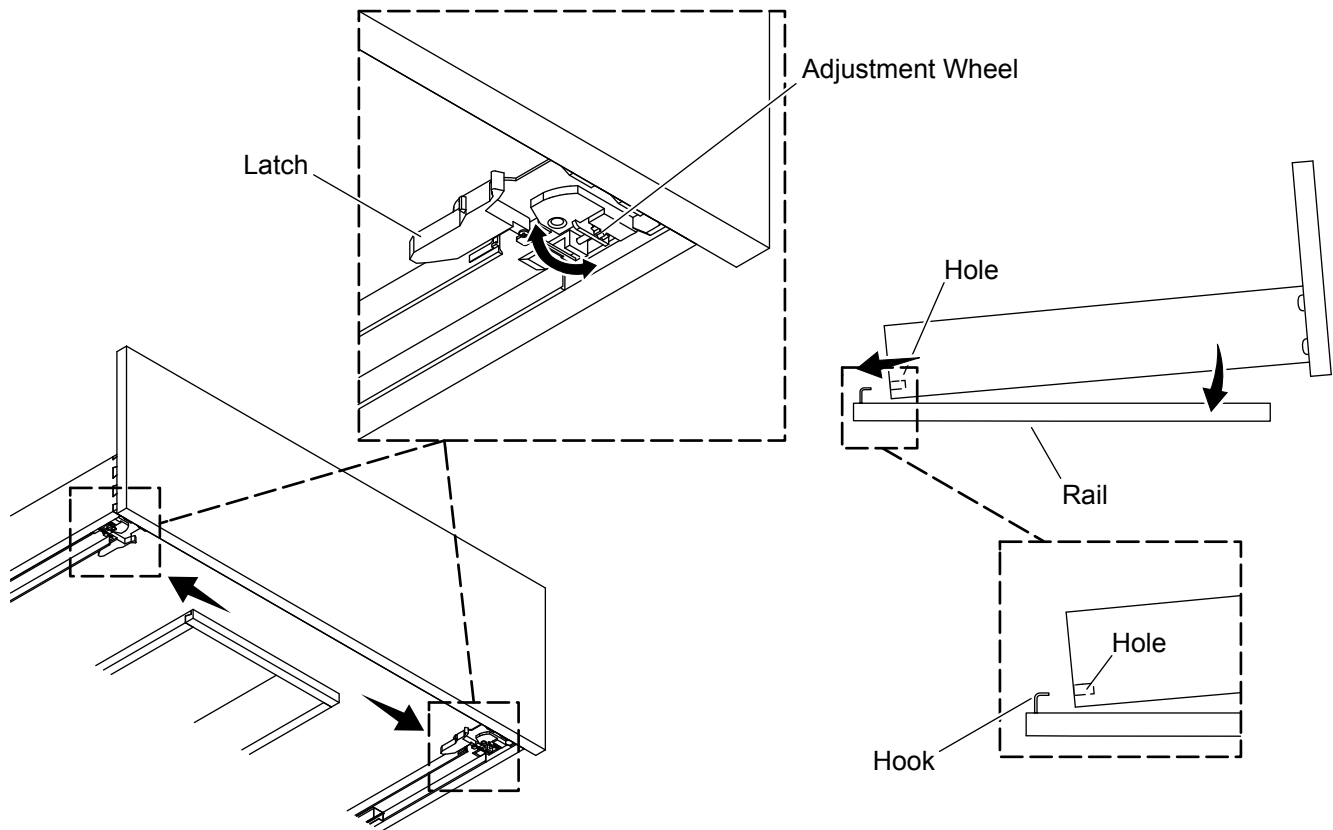
### Depth Adjustment

- Tighten or loosen the rear screw to adjust the depth of the door.

### Height Adjustment

- Remove the two front screws from the hinges.
- Loosen the two rear screws in the hinges.
- Slide the hinge up or down to adjust the vertical position of the door.
- Tighten the two rear screws.
- Install the two front screws.

## 5. Remove/Adjust the Drawer (48", 60", and 72" Vanities)



### Adjust the Position

- To adjust the position of the drawer, rotate the adjustment wheel underneath the front corners to the left or right as needed.

### Removal

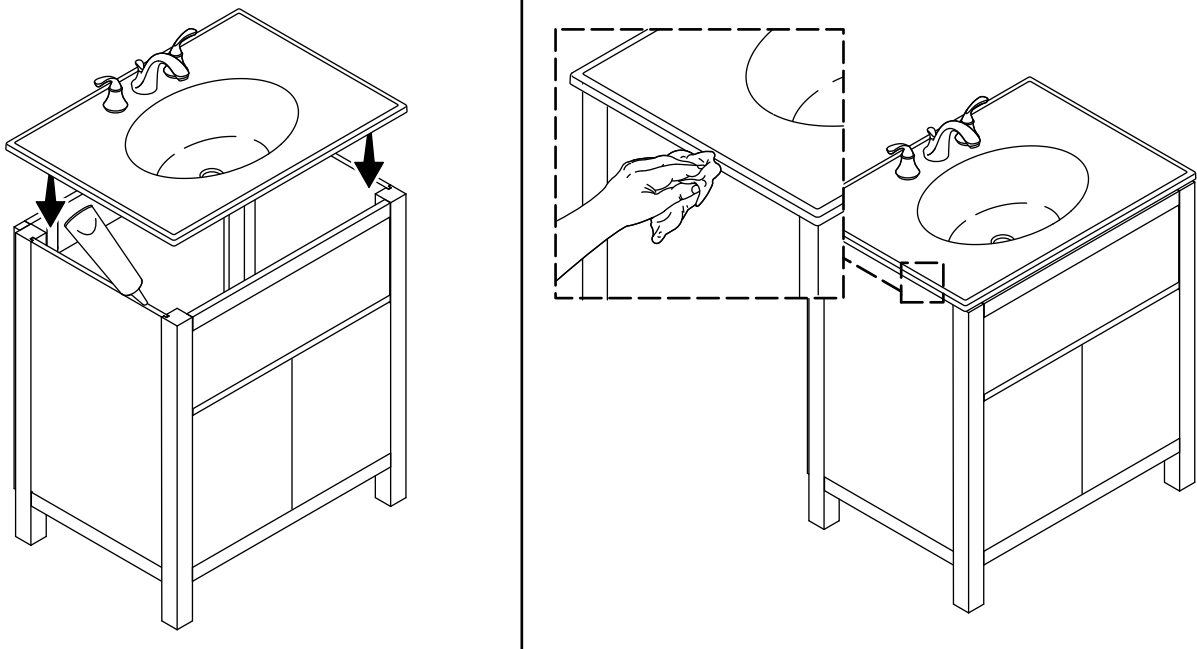
- Fully extend the drawer.
- From underneath, press the release latches toward the sides of the drawer.
- Lift the front of the drawer to disengage from the rails.

### Reinstallation

- Fully extend both rails.
- Rest the back of the drawer onto the rails and align the rail hooks with the drawer holes.
- Rotate the front of the drawer down onto the rails, engaging the latches with the rails.
- Push the drawer closed to fully snap the latches into the rails and insert the rail hooks into the drawer holes.
- Lightly lift the front of the drawer to verify that the drawer is fully engaged with both rails. If not engaged, repeat the "Reinstallation" procedure.

## 6. Install the Countertop and Sink

---

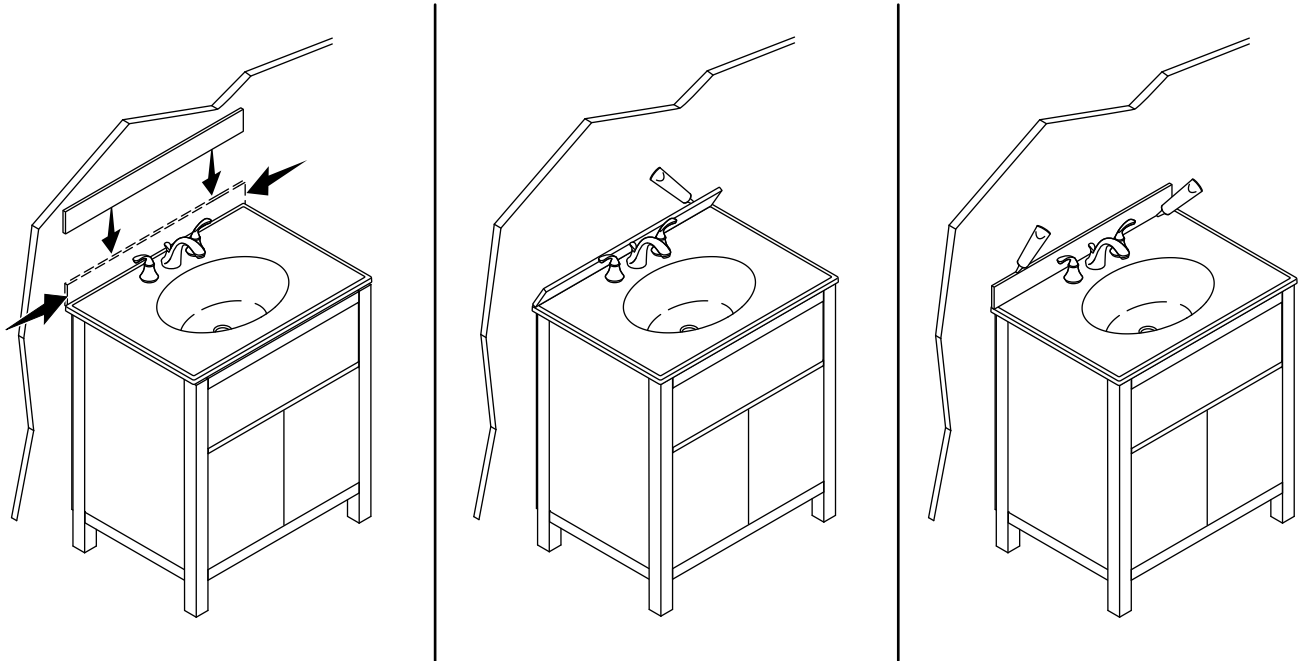


**⚠ CAUTION: Risk of personal injury or property damage.** Product can break, chip, or cause injury if handled carelessly. Get help lifting the countertop and sink.

- Install the faucet and drain following the manufacturers instructions packed with your product.
- Apply a bead of siliconized acrylic caulk around the top of the vanity.
- With assistance, lift the countertop and sink, set in place on top of the vanity.
- Gently press down until level. Wipe away excess siliconized acrylic caulk.
- Complete the faucet and drain connections.
- Run water and check for leaks.

## 7. Install the Backsplash

---



- Position the backsplash on top of the vanity and flush against the finished wall.
- Verify that the sides of the backsplash are aligned with the sides of the vanity top.
- Secure the backsplash using a bead of siliconized acrylic caulk on the back surface.
- Firmly press the backsplash against the finished wall.
- Apply a bead of siliconized acrylic caulk along the seam of the wall and backsplash.
- Apply a bead of siliconized acrylic caulk along the seam of the backsplash and vanity top.