



# Tresham® | K-5288

36" bathroom vanity cabinet

## Features

- Finishes resist moisture, scratches, and stains
- One door and two drawers
- Three-way adjustable soft-close door hinges for easy cabinet access
- Soft-close, full extension, under-mount drawer slides for smooth opening
- Includes decorative cabinet hardware



1-800-4KOHLER (1-800-456-4537)  
Kohler Co. reserves the right to make revisions without notice to product specifications.  
For the most current specification sheet, go to [www.kohler.com](http://www.kohler.com) USA or [www.kohler.ca](http://www.kohler.ca) Canada.  
5-12-2026 21:0 - US-CA

THE BOLD LOOK  
OF **KOHLER**®

---

## Codes/Standards

EPA TSCA Title VI/CARB P2

---

## Technical Information

*All product dimensions are nominal.*

Lighting Included: No

---

## Material

- Solid wood and veneers
- 

## Required Products/Accessories

- K-20000 20-1/2" rectangular undermount bathroom sink
  - K-28250 Silestone® 37" quartz vanity top with rectangular cutout
  - K-28263 Silestone® quartz 37" backsplash
- 

## Warranty

*See website for detailed warranty information.*

KOHLER® One-Year Limited Warranty

DISCONTINUED

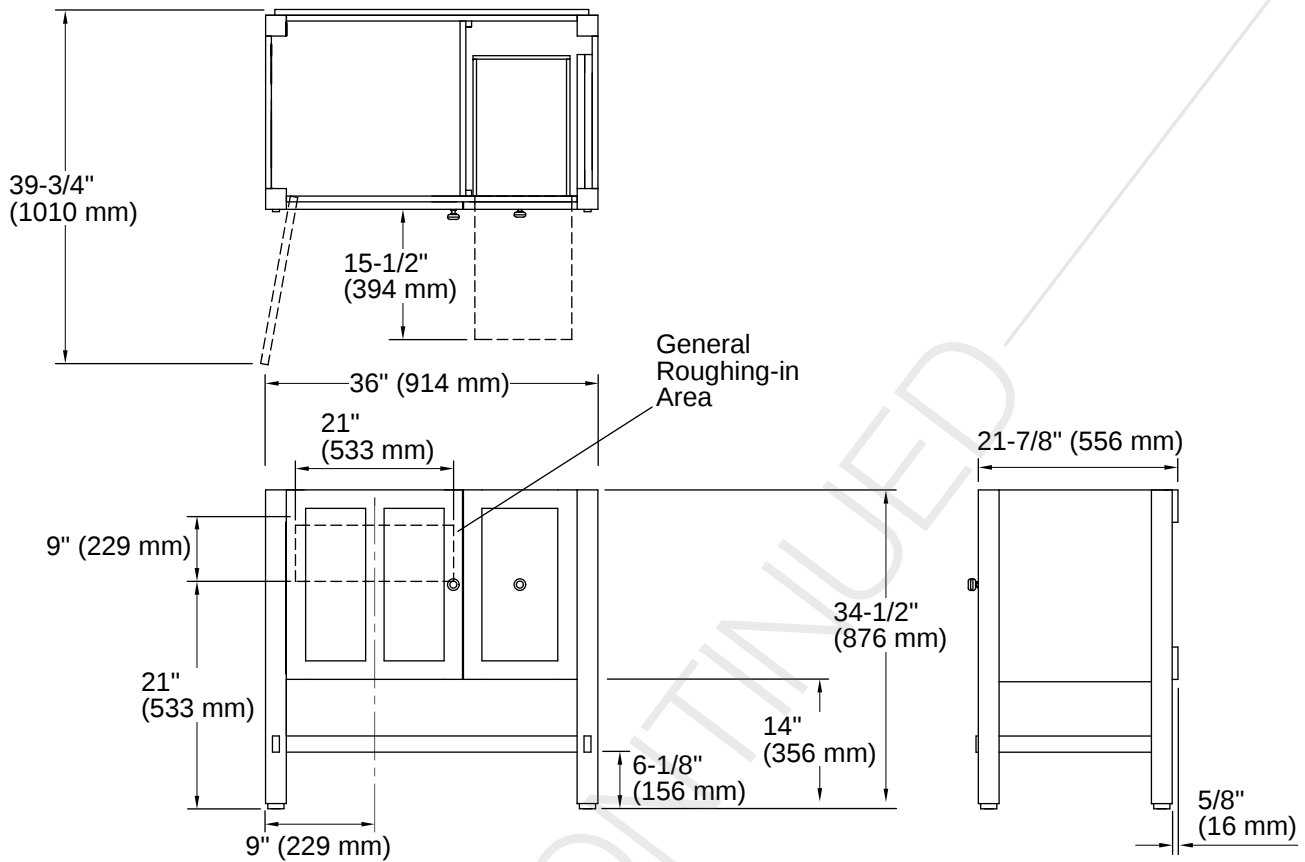


1-800-4KOHLER (1-800-456-4537)

Kohler Co. reserves the right to make revisions without notice to product specifications.

For the most current specification sheet, go to [www.kohler.com](http://www.kohler.com) USA or [www.kohler.ca](http://www.kohler.ca) Canada.

5-12-2026 21:0 - US-CA



## Installation Notes

*Install this product according to the installation instructions.*

The finished wall must be straight and plumb to ensure proper support of the vanity and alignment of the sink and door.

To properly support the weight of the vanity and sink, secure to stud framing or 2x6 bracing behind the finished wall.

Select 250 lb (113.4 kg) load bearing 5/16" lag bolts with a length to clear obstacles in the wall and 5/16" washers.

