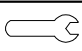



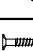
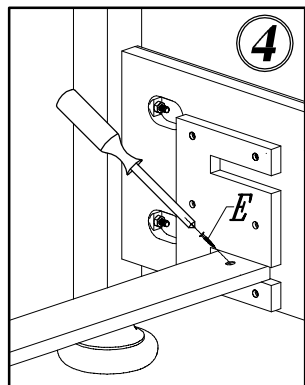
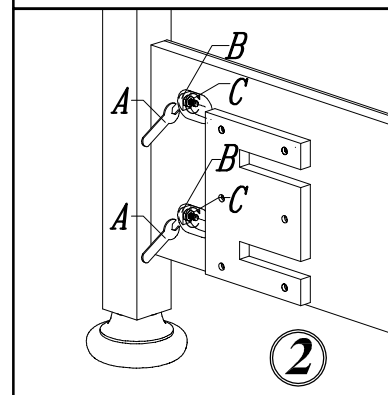
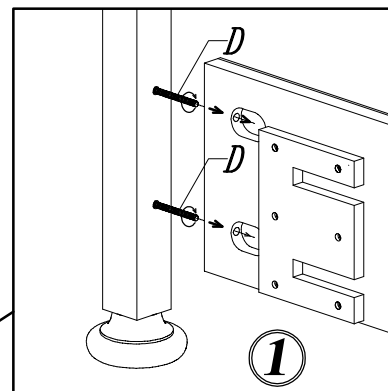
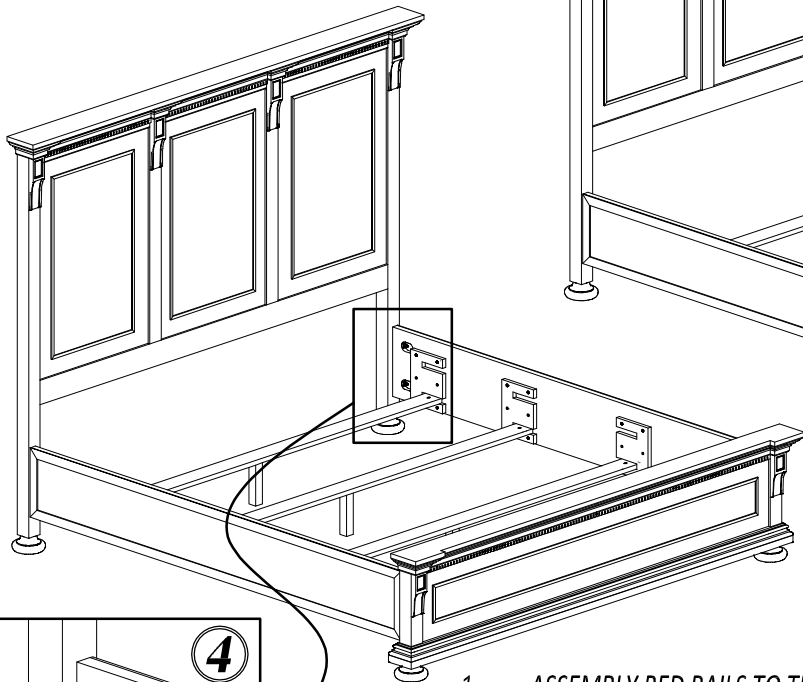
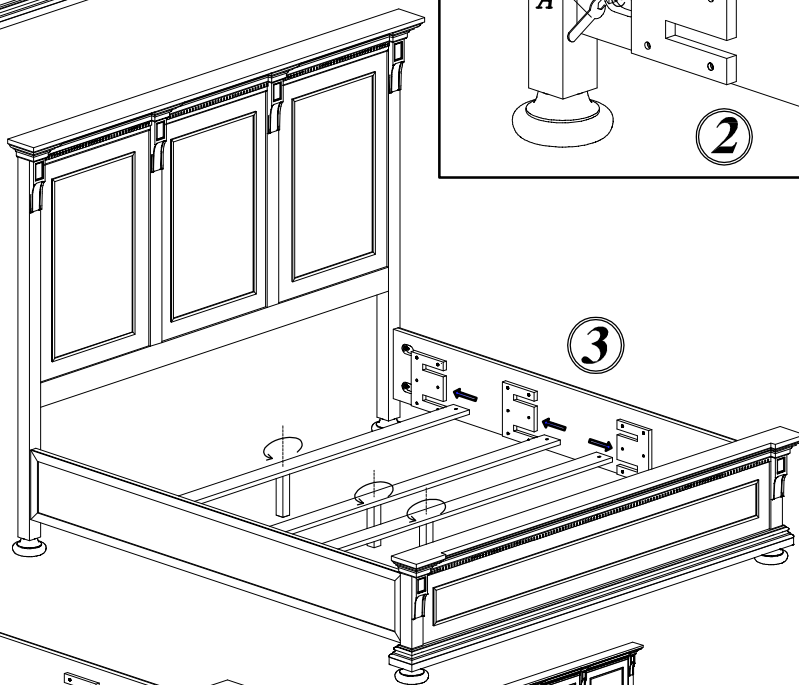
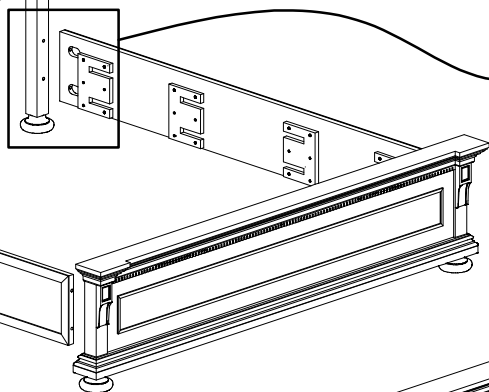
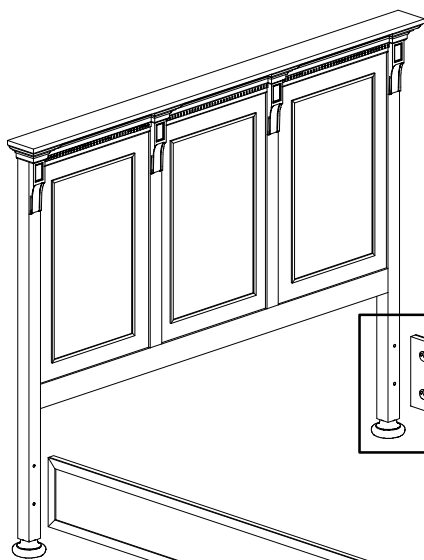


ASSEMBLY INSTRUCTIONS

25265 / 25465 HFR - QUEENBED

| No. | HARDWARE LIST | Q'ty |
|-----|---|------|
| A |  Wrench | 1 |
| B |  Half Moon Washer | 8 |
| C |  Nut | 8 |
| D |  Double Thread $\frac{5}{16} \times 100$ | 8 |
| E |  Screw Ratan $8 \times 1 \frac{1}{4}$ | 8 |



* SCREW DRIVER
NOT INCLUDED

1. ASSEMBLY BED RAILS TO THE HEADBOARD AND FOOTBOARD WITH THREADED ROD (D), NUT (C) AND HALF MOON WASHER (B), USING WRENCH (A)
2. ATTACH THE FEET TO BED SLATS USING BOTH SEGMENTS FOR HIGHER POSITION, ONLY ONE SEGMENT FOR THE LOWER POSITION
3. PLACE THE BED SLATS IN THE POSITION THE FEET ARE ADJUSTED FOR, AND ATTACH WITH SCREW (E)

MADE IN INDONESIA