

## Archer® | K-1947-LAW

60" x 30" alcove whirlpool bath with Bask® heated surface, left drain

### Features

- Bask® heated surface creates spa-like relaxation with soothing warmth on your back, shoulders, and neck
- Three heat settings allow you to customize the surface temperature
- Single-speed whirlpool offers performance and value with 8 fully adjustable jets
- Hydromassage flow and direction can be controlled at each jet
- Comfort Depth® design offers a convenient 19" step-over height while retaining the same depth as a standard 21" bath
- Integral lumbar support
- Slotted overflow allows for deep soaking
- Integral apron
- Integral flange helps prevent water from seeping behind wall and simplifies alcove installation
- Textured bottom surface
- Coordinates with other products in the Archer collection



### Available Colors/Finishes

*Color tiles intended for reference only.*

- 0 White
- 96 Biscuit
- 95 Ice Grey
- 7 Black Black



## Codes/Standards

ADA compliant when installed to the specific requirements of these regulations.



- ASME A112.19.7/CSA B45.10
- CSA B45.5/IAPMO Z124
- ASTM E162
- ASTM E662
- UL 1795
- CSA C22.2 No. 218.2
- ADA
- ICC/ANSI A117.1
- cUL Listed
- UL Listed

## Technical Information

All product dimensions are nominal.

Drain Location:	Left
Drain Hole Diameter:	2-1/8" (54 mm)
Minimum Flat for Door:	2-9/16" (66 mm)
Basin Area, Bottom:	45-1/8" x 19-11/16" (1146 mm x 500 mm)
Basin Area, Top:	52-1/8" x 22-1/16" (1324 mm x 560 mm)
Water Depth:	15-1/8" (384 mm)
Water Capacity:	57 gal (215.8 L)
Minimum Floor Load:	50 lbs/ft <sup>2</sup>
Weight:	123 lbs (55.8 kg)

## Material

- Acrylic

## Recommended Products/Accessories

- K-23726 Drain treatment
- K-23732 Tub & shower cleaner

## Required Products/Accessories

- K-7271 Slotted overflow brass bath drain
- or
- K-7272 Slotted overflow bath drain

## Required Electrical Service

One dedicated circuit required, protected with Class A Ground-Fault Circuit-Interrupter (GFCI). Outside North America, this device may be known as a Residual Current Device (RCD).

Pump, Heated Surface: 120 V, 15 A, 60 Hz

## Electrical Component Ratings

Pump: 120 V, 7 A, 60 Hz

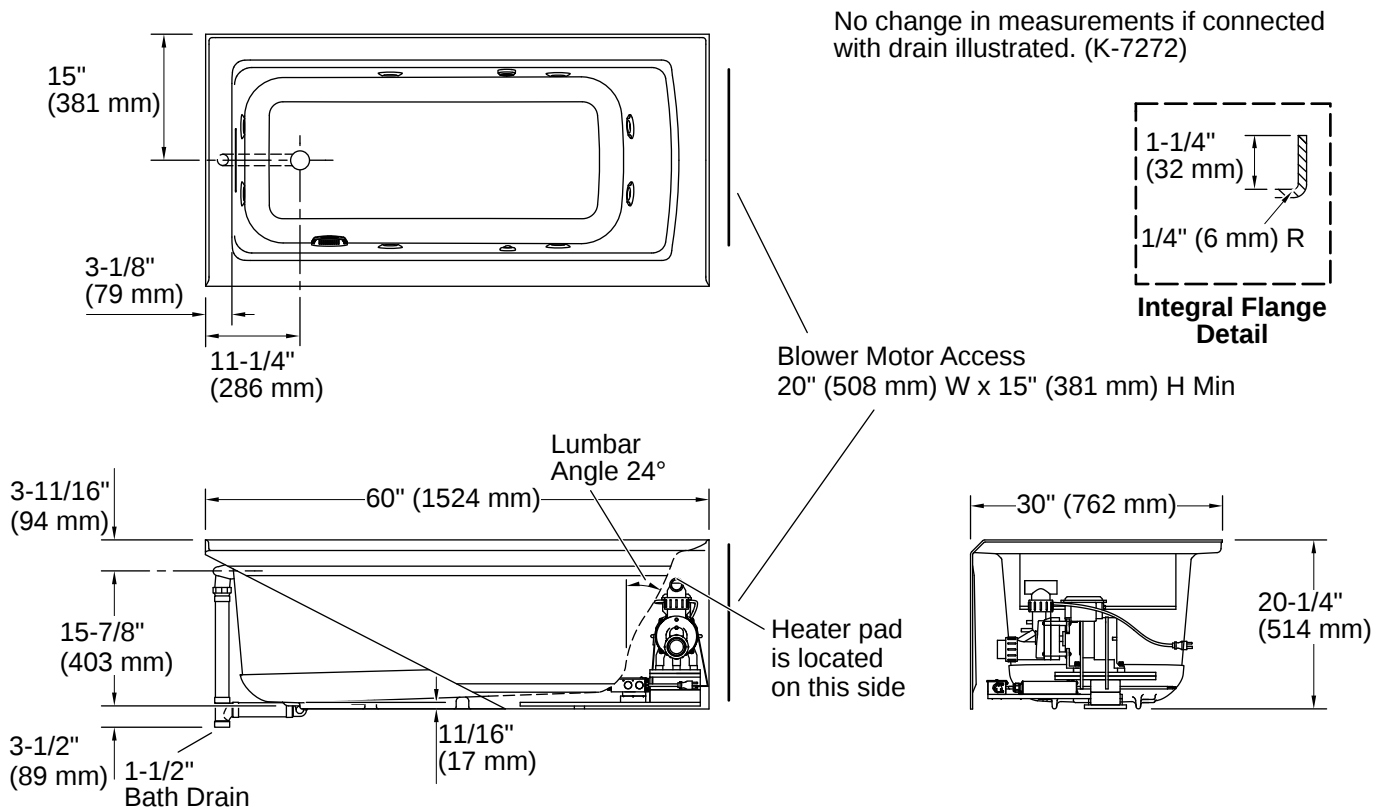
Heated Surface: 120 V, 0.5 A, 60 Hz, 65 W

## Warranty

See website for detailed warranty information.

KOHLER® Hydrotherapy Components Five-Year Limited Warranty|KOHLER® Plastic Baths and Shower Bases Lifetime Limited Warranty|KOHLER® Enameled Cast Iron Bath and Shower Base Lifetime Limited Warranty





## Installation

- Left drain
- Alcove
- Requires Clearflo slotted overflow bath drain (sold separately)

## Installation Notes

*Install this product according to the installation instructions.*

Measure your actual product for rough-in details.

The hot water supply should be 70% of the capacity of the bath or greater. Installations will vary.

Provide one grounded electrical outlet within 24" (610 mm) of each component.

ADA compliant when installed to the specific requirements of these regulations.

