

Boutique Collection Tubs

Halo

MODEL #: 211

211R 52" x 52" x 26"

211F 52" x 52" x 25"

GENERAL SPECIFICATIONS

Material - SculptureStone®

Installation - Freestanding

Soaker Weight - 364 lbs / 165 kg

Air Bath Weight - 394 lbs / 179 kg

Maximum Fill - 121 gal to overflow

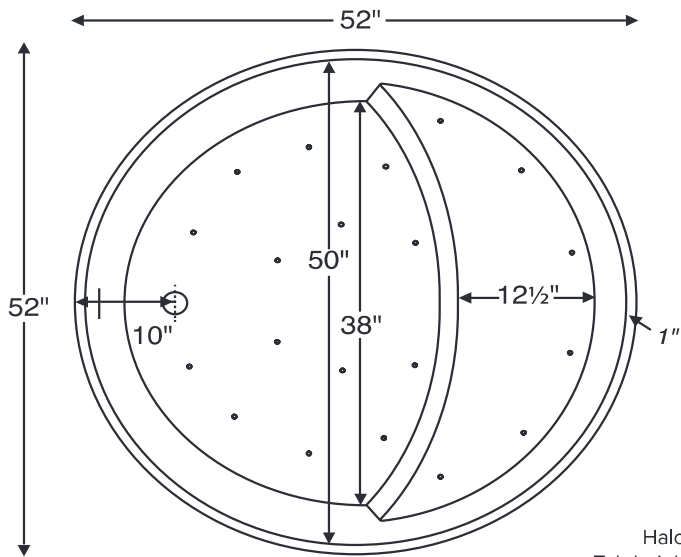
Flat rim version may be undermounted.
Not recommended as a tub / shower combination.

Rolled rim version cannot be undermounted.

NOTE: Filling this tub to the maximum may require an above average size or dedicated water heater.



Features an integrated overflow.



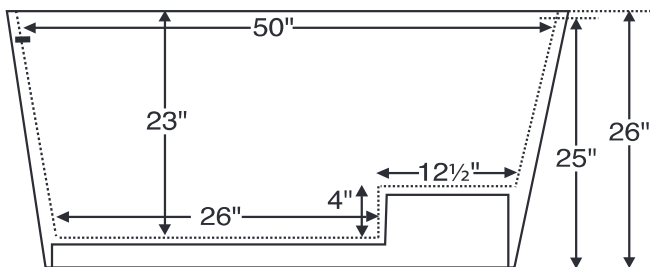
Halo is available with a rolled or flat rim.
Tub height will vary based upon features selected.



Rolled Rim



Flat Rim
(reduces overall height by 1")



Note: Halo is available with a rolled rim, creating an overall tub height of 26". A flat rim may also be specified, which reduces overall tub height to 25".
Part numbers for either selection are listed on the following page.

ELECTRICAL COMPONENTS & SPECIFICATIONS

Required Electrical Service - 110 Volt

Hydrotherapy Package	Components Included	GFCI
Air Massage	heated blower	1-15 amp

CSA Certified C/US; ANSI Z124.1 and ANSI 112.19.7

See the Installation & Operation Manual for more details.
MTI's Customer Service: Monday-Friday 8am-6pm EST
800-783-8827 or service@mtibaths.com

IMPORTANT ORDERING & INSTALLATION INFORMATION

- Before ordering or installing, please consider future access to equipment.
- Includes an integrated overflow with toe tap drain in chrome finish. May be specified without an overflow (see local codes before ordering without an overflow).
- Air baths require job site preparation for remote installation of the blower and required check valve. Check valve must be installed higher than the rim of the tub.
- Waterproof remote control included with air bath. Keypad shipped loose may be remote mounted on nearby surface/wall.
- Faucet valves cannot be mounted on this tub model.

- Before discarding tub crate, check for accessories that may be packaged inside.
- All product measurements are ±1/2".
- Specifications and configurations are subject to change without notice.
- Measurements herein supersede all others published prior to publication date below.

CSA # MTCT-211

©2021 by MTI Baths, Inc. Modification Rights Reserved

1 of 2



Rev. 08 12 2021