



BEST CHOICE
PRODUCTS



INSTRUCTION MANUAL

Portable Folding Table
Tennis Set



**BEST CHOICE
PRODUCTS**

As shoppers, we're always trying to find the perfect balance between quality & value. At BCP, we believe we've achieved that. Our diverse catalog of everyday essentials is tailored especially to our customers & guaranteed to hit that sweet spot of high quality & low price.

— Always. —



WARNING

CHOKING HAZARD - Small parts.
This toy contains small balls. Not
for children under 3 years old.



WARNING

ADULT ASSEMBLY REQUIRED

NOTICE

- Please retain these instructions for future reference.
- This table is not meant to be sat on or climbed on in any manner inconsistent with its use.
- Do not stand on or use any part of this set as a step ladder.
- Firmly secure all bolts, screws, and knobs before use.
- Reconfirm that all bolts, screws, and knobs are secure every 90 days.
- Be aware that some parts are heavy and have sharp edges.
- Do not use or store this item in the proximity of open flame or flammable/combustible chemicals.
- If any parts are missing, broken, damaged, or worn, stop using this product until repairs are made and/or factory replacement parts are installed.
- Do not use this item in a way inconsistent with the manufacturer's instructions as this could void the product warranty.
- This product is intended for residential use only.



8 YEARS
OLD AND UP

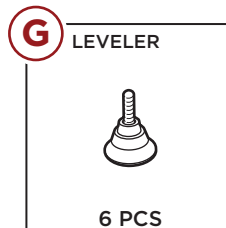
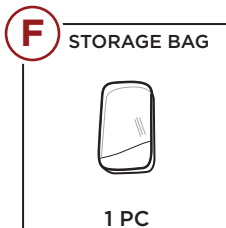
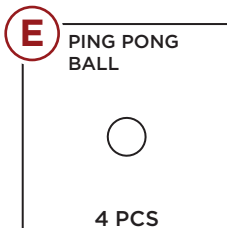
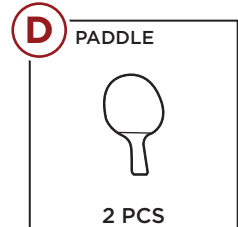
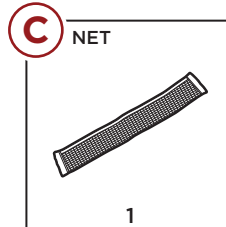
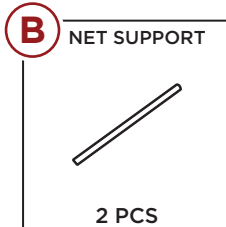
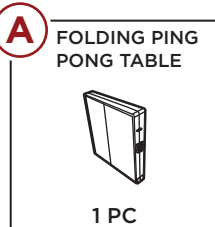


1 PERSON
ASSEMBLY



UP TO 5 MIN.
ASSEMBLY

PARTS

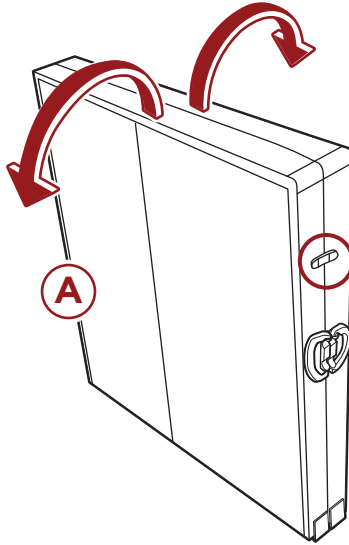


PRODUCT ASSEMBLY

1

NOTE: This product arrives folded.

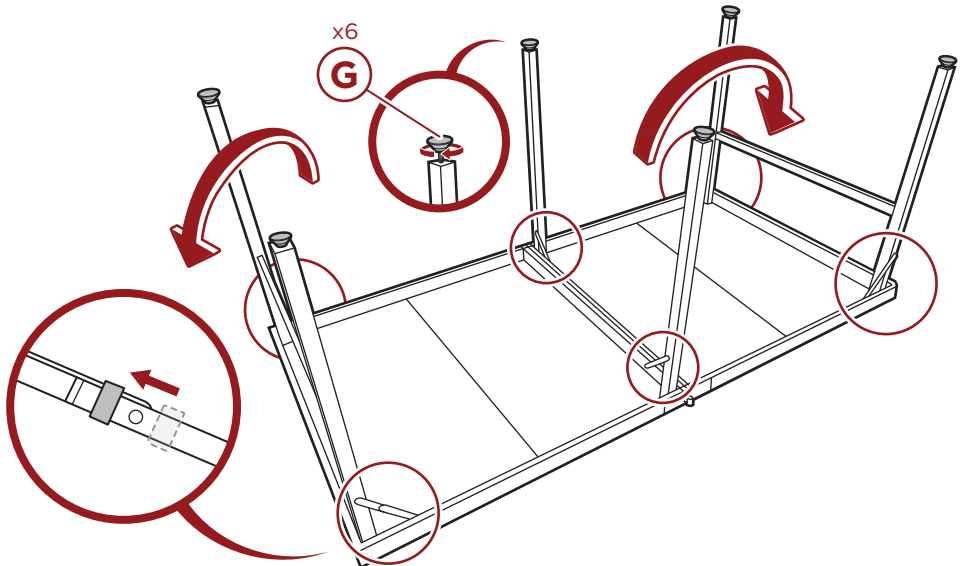
Unlock the toggle latches on the side of the **part A ping pong table** and carefully open it on a clean, flat surface.



2

Unfold the six legs, and make sure each support bracket is fully extended, then guide the black lock collars onto the joint to secure.

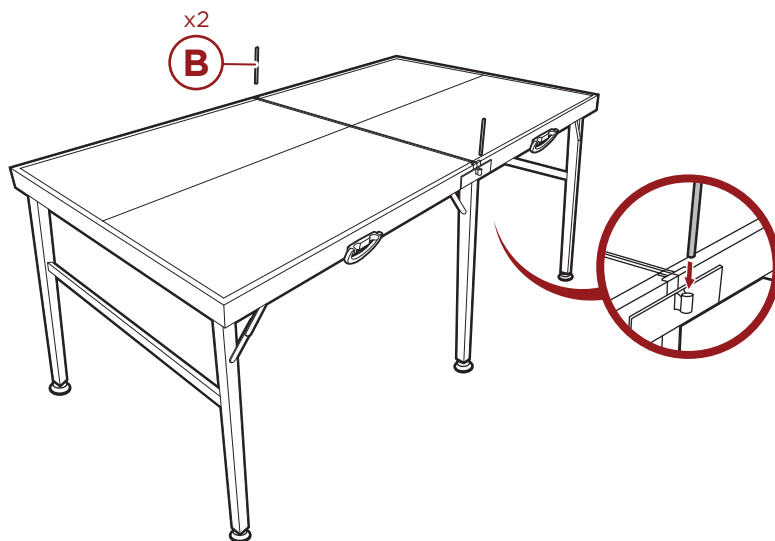
Screw six **part G levelers** into the legs (one per leg).



PRODUCT ASSEMBLY

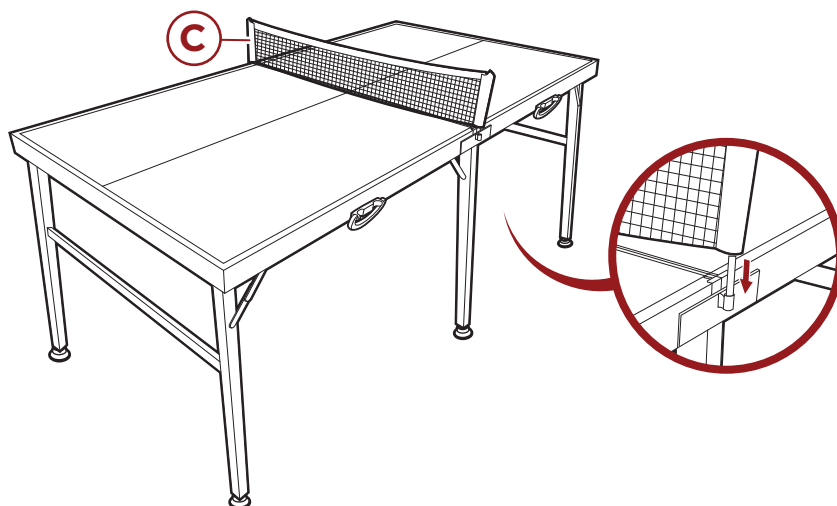
3

Flip the assembly onto its legs and insert two **part B net supports** into the recess on each side.
NOTE: Each leg has an extendable leveler. turn right to lower, turn left to raise legs as needed.



4

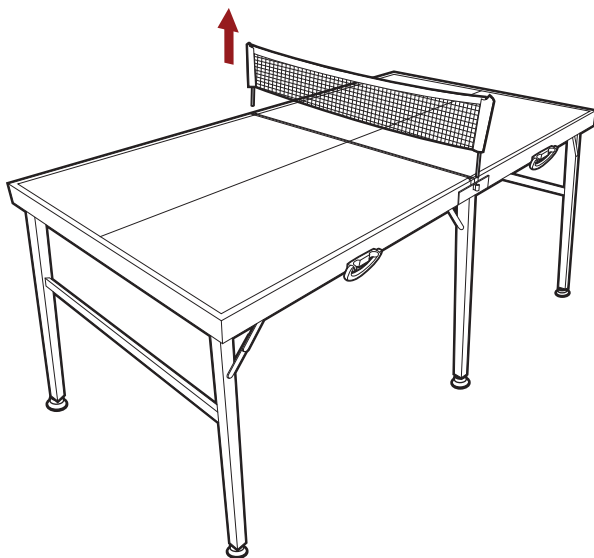
Slide the **part C net** onto the two supports to secure.



PRODUCT STORAGE

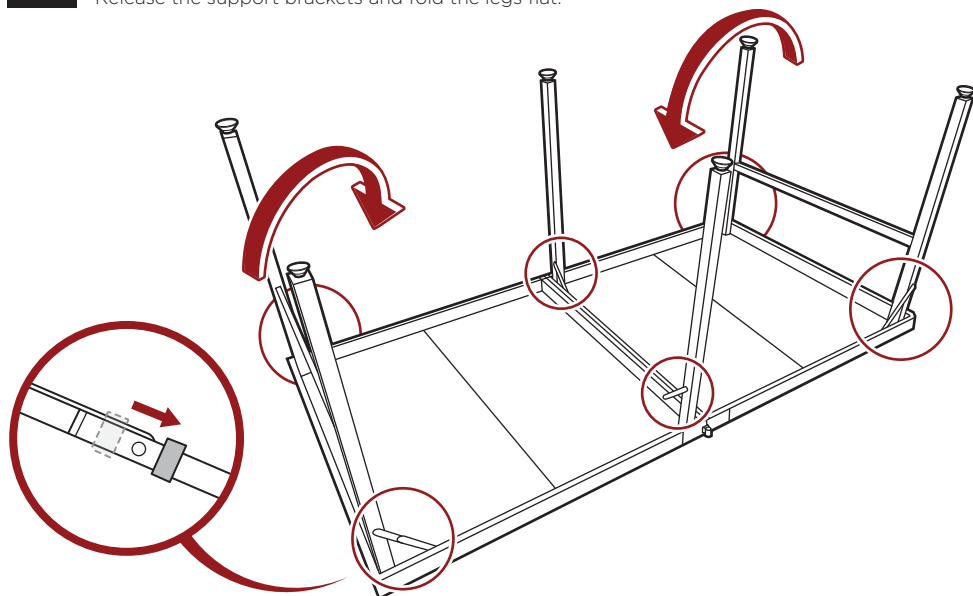
1

Remove the two **part B net supports** and **part C net**, then set them aside.



2

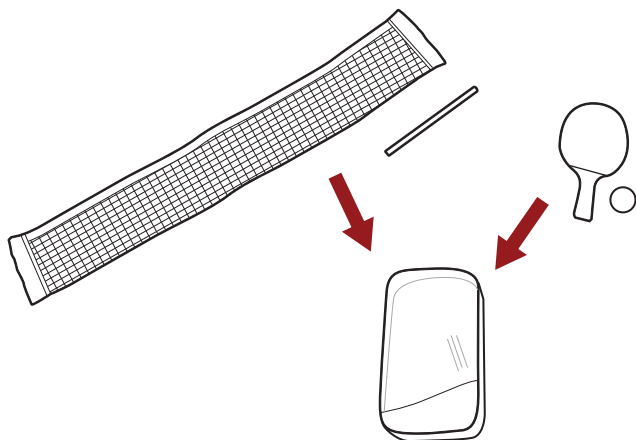
Place the **part A table** on its side and gently lower the tabletop until it sits flat on the ground. Release the support brackets and fold the legs flat.



PRODUCT STORAGE

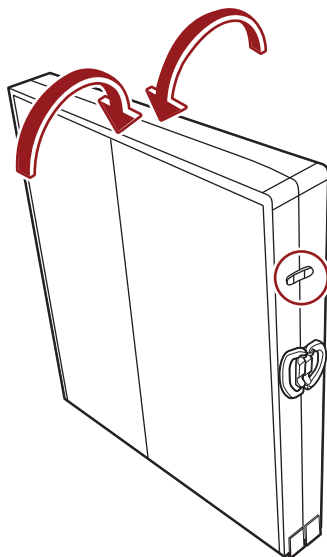
3

Place parts B, C, D, and E into the part F storage bag and place it in the part A table.



4

Pull the two halves of the table upright and lock them in place by securing the toggle latches on the side. The table is ready for storage.





HELP CENTER



Question about your product? We're here to help. Visit us at:

help.bestchoiceproducts.com



Chat Support



Product Inquiry



Orders FAQ



Product Assembly



Returns & Refunds

PRODUCT WARRANTY INFORMATION

All items can be returned for any reason within 60 days of the receipt and will receive a full refund as long as the item is returned in its original product packaging and all accessories from its original shipment are included. All returned items will receive a full refund back to the original payment method. All returned items will not be charged a re-stocking fee.

All returned items require an RA (Return Authorization) number, which can only be provided by a Best Choice Products Customer Service Representative when the return request is submitted. Items received without an RA may not be accepted or may increase your return processing time. Once an item has been received by Best Choice Products, refunds or replacements will be processed within 5 business days.

All returns must be shipped back to the Best Choice Products Return Center at the customer's expense. If the reason for return is a result of an error by Best Choice Products then Best Choice Products will provide a pre-paid shipping label via email. Boxes for return shipping will not be provided by Best Choice Products, and is the customer's responsibility to either use the original shipping boxes or purchase new boxes.

Pictures may be required for some returns to ensure an item is not damaged prior to its return. Items returned are not considered undamaged until they are received by Best Choice Products and verified as such. All damages to items are the customer's responsibility until the item has been received by and acknowledged by Best Choice Products as undamaged.

© Best Choice Products, Inc. All rights reserved. Distributed by Best Choice Products, Inc. Tustin, CA 92780

WARNING

Manufacturer and seller expressly disclaim any and all liability for personal injury, property damage or loss, whether direct, indirect, or incidental, resulting from the incorrect attachment, improper use, inadequate maintenance, unapproved modification, or neglect of this product.