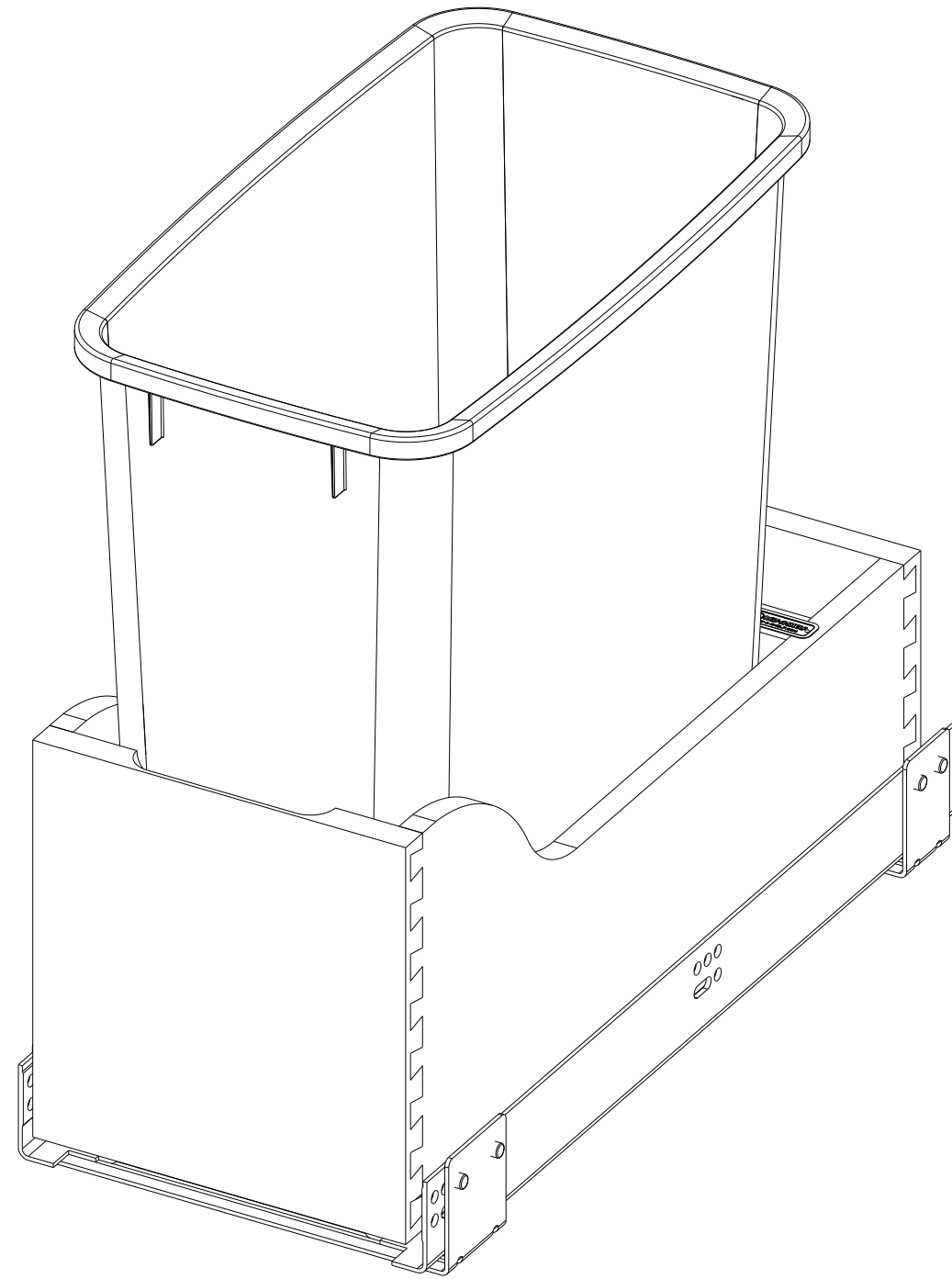


CUSTOMER DRAWING

This drawing is the property of Rev-A-Shelf (RAS) and is disclosed in confidence to the extent its subject matter is original to RAS. Any vendor receiving this drawing from RAS shall hold and use this drawing for the sole benefit of RAS and shall not disclose it to, or use or reproduce it for any third party, or perform any act adverse to the interest of RAS with respect to this drawing without the express written permission of RAS. Vendors shall not revise any physical, dimensional or performance characteristic unless authorized by Rev-A-Shelf Engineering.

REV.	DATE	BY	DESCRIPTION OF CHANGE

INCH [MM]	AMERICAN PROJECTION 	BY	DATE	REV-A-SHELF, INC. SIZE B	
		DRAWN	LCS 6/24/22		
TOLERANCES		MATERIAL	DRAWING NO.		SCALE
MAT.	DEC.		FINISH	4WCSC-1220-19-1	
(WOOD)	.XX ±.03 [.8mm]	PART NO.		SHEET OF	
(OTHER)	.XX ±.02 [.5mm]	4WCSC-1220-19-1		1 2	
(ALL)	.XXX ±.005 [.13 mm]				
FRACTIONS ±1/32 [.8 mm]					



PART DIMENSIONS	
WIDTH	8.62
DEPTH	18.66
HEIGHT	16.52
CONTAINER CAPACITY	20
CONTAINER UOM	QT

MIN CABINET OPENING				
	FACE FRAME	FRAMELESS	INSET FACE FRAME	INSET FRAMELESS
WIDTH	8.75	8.75	8.75	8.75
DEPTH	18.75	18.75	19.50	19.50
HEIGHT	17.00	17.00	17.00	17.00

SLIDE SPECIFICATIONS				
SLIDE MANUFACTURER	BLUM			
SLIDE PART NUMBER	WCSC128-SLIDASET	RELEASE PART NUMBER	N/A	
SLIDE TYPE	BLUM TANDEM	SLIDE EXTENSION	FULL EXTENSION	MAX WEIGHT RATING
SLIDE CLOSING	SOFT-CLOSE	SLIDE LENGTH	18" [457]	
SLIDE MOUNTING	BOTTOM	SLIDE FINISH	ZINC	110LB DYNAMIC

CUSTOMER DRAWING

This drawing is the property of Rev-A-Shelf (RAS) and is disclosed in confidence to the extent its subject matter is original to RAS. Any vendor receiving this drawing from RAS shall hold and use this drawing for the sole benefit of RAS and shall not disclose it to, or use or reproduce it for any third party, or perform any act adverse to the interest of RAS with respect to this drawing without the express written permission of RAS. Vendors shall not revise any physical, dimensional or performance characteristic unless authorized by Rev-A-Shelf Engineering.

REV.	DATE	BY	DESCRIPTION OF CHANGE

INCH [MM]	AMERICAN PROJECTION	DRAWN	BY	DATE	REV-A-SHELF, INC.
			LCS	6/24/22	
			MATERIAL	DRAWING NO.	SCALE
			FINISH	4WCSC-1220-19-1	0.325
				PART NO.	SHEET OF
				4WCSC-1220-19-1	2 OF 2

TOLERANCES
 MAT. DEC.
 (WOOD) .XX ±.03 [.8mm]
 (OTHER) .XX ±.02 [.5mm]
 (ALL) .XXX ±.005 [.13 mm]
 FRACTIONS ±1/32 [.8 mm]

ANGLES
 ±1/2°