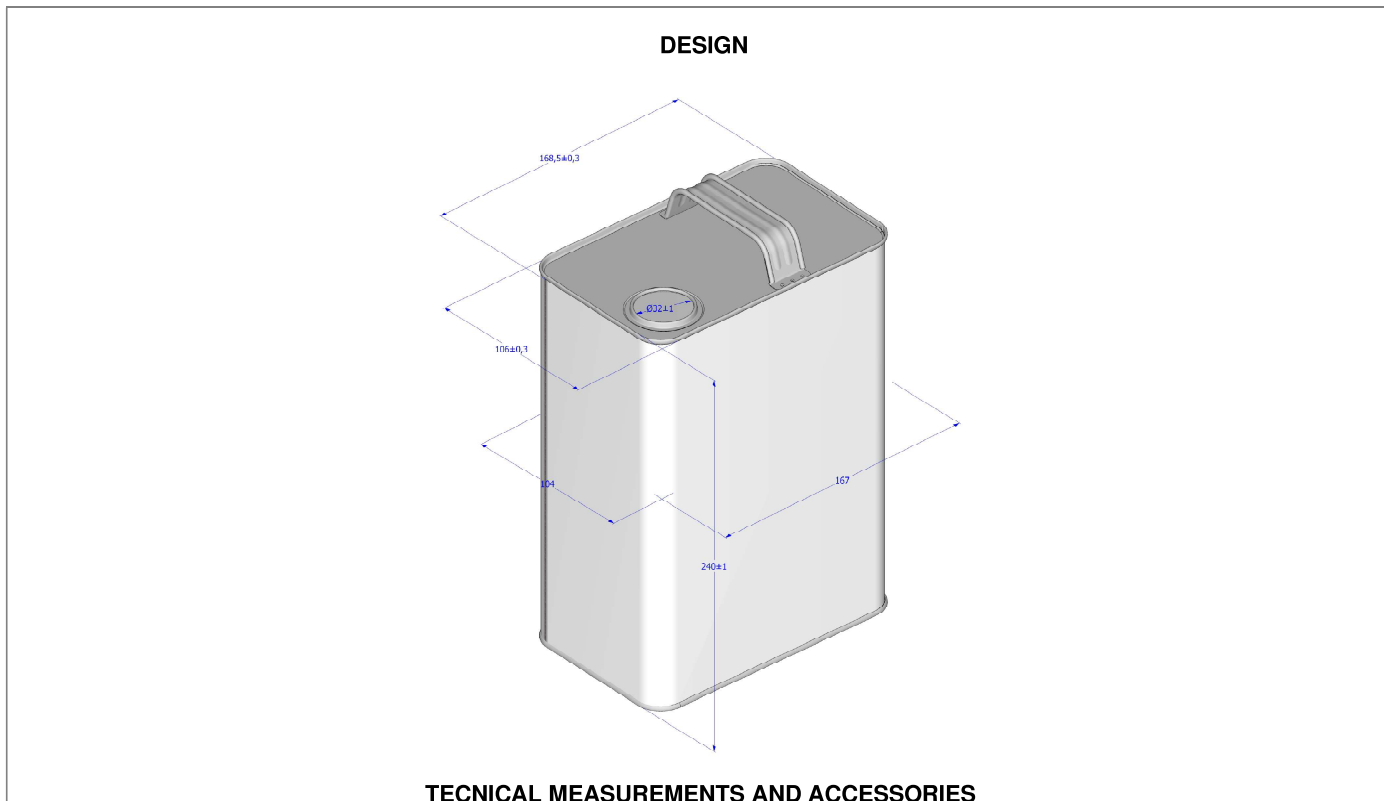


# TECHNICAL SPECIFICATION

## CAN 102x167

<b>NOM.DIAM</b>	102X167	<b>HEIGHT</b>	240	<b>PRESS.TEST</b>	0,2 bar	
-----------------	---------	---------------	-----	-------------------	---------	--



### TECNICAL MEASUREMENTS AND ACCESSORIES

<b>PIERCING</b>	REL 32 D.32 ± 0,1	<b>PIERCING POSITION</b>	To sketch
<b>HANDLE</b>	Iron handle L=98 mm.	<b>HANDLE POSITION</b>	To sketch
<b>WELD</b>	Electric Longitudinal weld	<b>WELD POSITION</b>	To sketch
<b>BEAD</b>	-	<b>BEAD POSITION</b>	-

### ASSEMBLING

<b><u>LID</u></b>	Prime quality electrolytic tinplate in accordance with DIN EN 10202 norms, mm. 0,28 thickness. Cold-produced element with injection of synthetic rubber. Piercing REL 32 mm. Internal appearance: PLAIN. External appearance: PLAIN. Assembly to body with double seam.
<b><u>BODY</u></b>	Prime quality electrolytic tinplate in accordance with DIN EN 10202 norms, mm. 0,28 thickness. Longitudinal Electrical weld. Internal appearance: PLAIN. External appearance PLAIN.
<b><u>BOTTOM</u></b>	Prime quality electrolytic tinplate in accordance with DIN EN 10202 norms, mm. 0,28 thickness. Cold-produced element with injection of synthetic rubber. Internal appearance: PLAIN. External appearance: PLAIN. Assembly to body with double seam.

### **PALLETIZATION:**

Pallet MM.1120x1420, N. 4 stacks of 80 pails each, Total 320 unit. H.MAX.1200 + stretch film

Pallet MM.1120x1420, N. 5 stacks of 80 pails each, Total 400 unit. H.MAX.1350 + stretch film

### **FEATURES AND TESTS:**

Theoretical capacity 4 Lt. Commercial capacity 3,7 Lt. Can Weight 368 ± 4%

100% of cans are: automatically tested at 0,2 bar with leak detector and seaming technic control of the sample.

Destructive statistical control of eventual micro-leaks by immersion into water to 0,3-0,4 bar and tearing test of the weld.

**APPROVAL:** UN 3A1/Y 1,4/120/\*\*/F/FA/LRM AE06

**Methods of conservation:** Store in a cool and dry place, and in the absence of: humidity, dust and heat sources; protect from light and from any type of abrasion that could alter the initial constructive characteristics.

### **Packaging labeling codes pursuant to art 219 paragraph 5 of Legislative Decree 152/2006 and subsequent amendments**

TYPE OF PACKAGING	CAN		TYPE OF PACKAGING	PALLET		ROOF INTERLAYERS		FILM/TOP		LABEL SUPPORT		STRAP	
LABELING CODE 97/129/CE	FE 40		LABELING CODE 97/129/CE	FOR 50		PAP 20		LDPE 4		PP 5		PET 01	
MATERIAL	STEEL		MATERIAL	WOOD		PAPER		PLASTIC		PLASTIC		PLASTIC	

DISTRIBUTED BY: 	REF NO.: DWG31128
---------------------	----------------------

### DISCLAIMER

THIS INFORMATION IS PROVIDED AS A GENERAL GUIDE, INCLUDING DIMENSIONS. IT IS THE CUSTOMER'S RESPONSIBILITIES TO SELECT THE PROPER CONTAINER FOR PRODUCT AND APPLICATION COMPATIBILITY.

**DESCRIPTION:**  
 1 Gallon F-Style Metal Can, 32MM REL  
 610X907X403, METAL BRIDGE HANDLE