

SINCE 1839

**BRINLY**

SINCE 1839

**BRINLY**

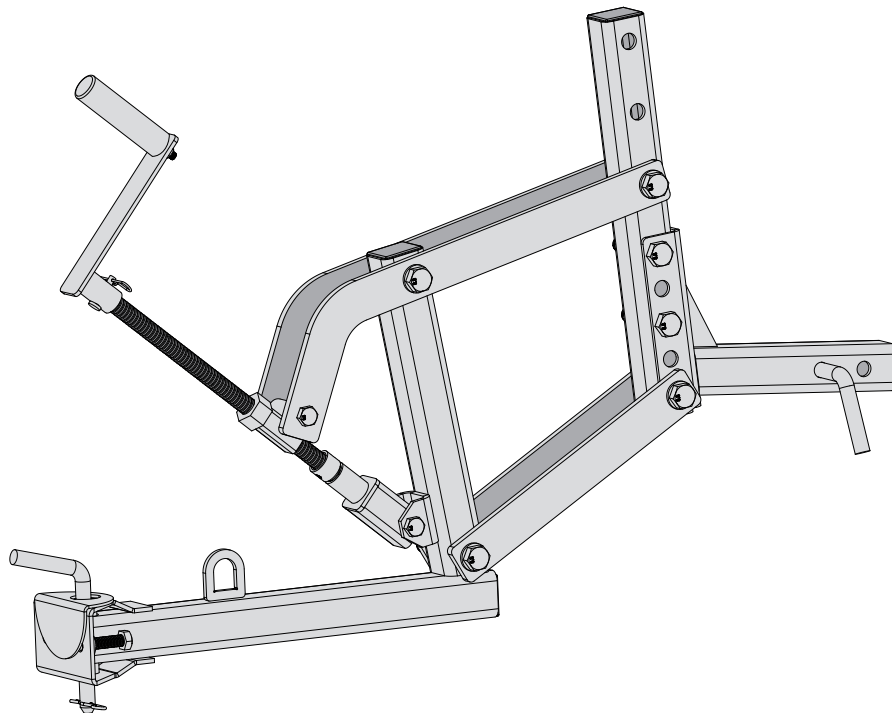
# OWNER'S MANUAL

## ONE POINT LIFT SYSTEM

MODEL:

**OPL2-BH**

- Assembly
- Installation
- Operation
- Repair Parts



For use with utility  
task vehicles and all  
terrain vehicles.

Call Customer Service, Toll-Free: 877-728-8224

Visit us on the web!  
[www.brinly.com](http://www.brinly.com)

Important: This manual contains information for the safety of persons and property. Read it carefully before assembly and operation of the equipment!

# INTRODUCTION

CONGRATULATIONS on your new Brinly-Hardy purchase! This accessory has been designed, engineered and manufactured to give you the best possible dependability and performance.

Should you experience any problem you cannot easily remedy, please do not hesitate to contact our knowledgeable customer service department toll-free at 1-877-728-8224. We have competent, well trained technicians to help you with the assembly and use of your product.



## CUSTOMER RESPONSIBILITIES

- Please read & retain this manual. The instructions will enable to assemble and maintain your product properly.
- Please carefully read and observe the SAFETY SECTION of this manual.
- Follow a regular schedule in maintaining and caring for your Brinly-Hardy product.

## TABLE OF CONTENTS

SAFETY . . . . .	2-4
PARTS . . . . .	5-6
ASSEMBLY . . . . .	7-13

### USE AND CARE

- Specifications . . . . . 14
- Installing . . . . . 15
- Removing . . . . . 15
- Operation . . . . . 16
- Maintenance . . . . . 16
- Accessories . . . . . 17

WARRANTY . . . . .	18
--------------------	----

## RECORD PURCHASE INFORMATION

Record your purchase information in the spaces provided below:

DATE OF PURCHASE \_\_\_\_\_

COMPANY NAME \_\_\_\_\_

SERIAL NUMBER \_\_\_\_\_

CO. PHONE \_\_\_\_\_

## SAFETY LABELS AND NOTATION

## REQUIRED TOOLS FOR ASSEMBLY



- Adjustable Wrench
- 13mm Wrench / Socket
- 19mm Wrench / Socket
- 24mm Wrench / Socket
- Tape Measure
- Gloves



This symbol will help to point out important safety precautions throughout this manual. It means: **ATTENTION! BECOME ALERT! Your safety is involved.**

The safety labels shown in this section are placed in important areas on your product to draw attention to potential safety hazards.

On your product safety labels, the words **DANGER**, **WARNING** and **CAUTION** are used with the safety-alert symbol. **DANGER** identifies the most serious hazards.

The operator's manual also explains any potential safety hazards whenever necessary in special safety messages that are identified with the word, **CAUTION**, and the safety-alert symbol.



**ATTENTION: PREVENT DAMAGE:**  
Do not use product without ratchet straps securing the product to the bed or cage of the vehicle.

# SAFETY

## GENERAL NOTES (Operation)

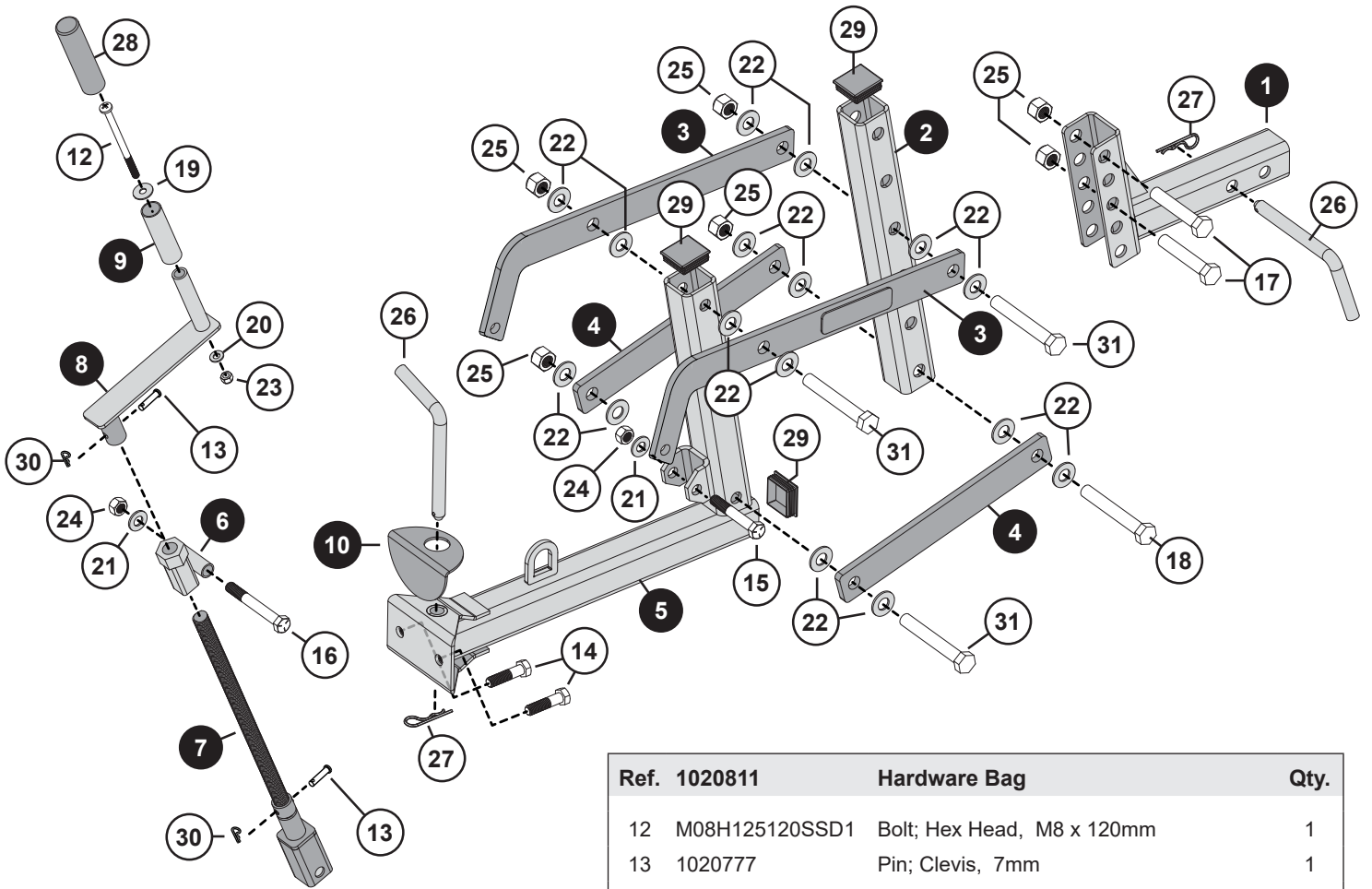
Caution should be taken when towing and/or using any attachment. This attachment combined with the weight distribution, turning radius, and speed of towing vehicle can result in severe injury or death to operator, damage to towing vehicle, and/or attachment if not used properly. Follow all towing safety precautions noted in the towing vehicle owner's manual, including the following precautions:



- Ensure the combined weight of the towing vehicle (tow vehicle weight + operator weight) is greater than the maximum towed weight of attachment (empty attachment weight + weight of load).
- Do not exceed maximum towing capacity of towing vehicle.
- Do not exceed maximum tongue weight of the vehicle.
- Do not use product without ratchet straps connecting product and ATV/UTV.
- Before each use the lead screw should be prepared with a coat of light machine oil.
- Minimum recommended towing capacity of the ATV/UTV to use the lift with is 1500 lbs.
- Do not exceed the maximum drawbar pull rating of the towing vehicle. Drawbar pull is the horizontal force required to pull the attachment (including weight of load).
- When an attached product is engaged with the ground, do not exceed 5 mph. Do not exceed the speed called out by either attached vehicle or product's manual.
- Towing speed should always be slow enough to maintain control. Travel slowly and use caution when traveling over rough terrain. Avoid holes, rocks and roots.
- Slow down before you turn and do not turn sharply.
- Use wide turning angles to ensure the attachment follows the path of the towing vehicle.
- Do not use attachment on steep slopes. A heavy load could cause loss of control or overturn attachment and towing vehicle. Additional weights may need to be added to your vehicle; check with towing vehicle manufacturer for recommendations.
- Reduce towed weight when operating on slopes.
- Keep all movement on slopes slow and gradual. Do not make sudden changes in speed, directions, or turning.
- If you start and stop suddenly on hills, you may lose steering control or the towing vehicle may tip.
- Do not start or stop suddenly when going uphill or downhill. Avoid uphill starts.
- Slow down and use extra care on hillsides. Turf conditions can affect vehicle stability. Use extreme caution while operating near drop-offs.
- Do not drive close to creeks, ditches and public highways.
- Watch out for traffic when crossing near roadways.
- Use care when loading or unloading the vehicle into a trailer or truck.
- The attachment can obstruct the view to the rear. Use extra care when operating in reverse.
- When reversing, carefully back-up straight to avoid jackknifing. Do not allow towing vehicle wheels to contact attached product. Damage could result.
- Stop on level ground, disengage drives, set the parking brake, and shut off engine before leaving the operator's position for any reason including emptying the attachment.
- Use this attachment for intended purpose only.
- This attachment is intended for use in lawn care and home applications. Do not tow behind a vehicle on a highway or in any high speed applications.
- Do not tow at speeds higher than the maximum recommended towing speed of the vehicle or any attached product.
- Do not tow this product behind a motor vehicle such as a car or truck.
- Always wear substantial footwear. Do not wear loose fitting clothing that can get caught in moving parts.
- Keep your eyes and mind on your towing vehicle, attachment and area being covered. Do not let other interests distract you.
- Stay alert for holes and other hidden hazards in the terrain.
- Keep ratchet straps connecting the lift and attached vehicle tight when in transport mode. Straps can be slightly loosened once the attached product is engaged with the ground.
- Do not pick up unit from the inside four corners as it may cause injury.
- Keep the towing vehicle and attachment in good operating condition and keep safety devices in place.
- The towing vehicle and attachment should be stopped and inspected for damage after striking a foreign object. Any damage should be repaired before restarting and operating the equipment.
- Keep all parts in good condition and properly installed. Fix damaged parts immediately. Replace worn or broken parts. Replace all worn or damaged safety and instruction decals. Keep all nuts, bolts and screws tight.
- Do not modify the attachment or safety devices. Unauthorized modifications to the towing vehicle or attachment may impair its function, safety and void the warranty.
- Always follow the instructions of the attached product and vehicle's manual.



# PART EXPLOSION



Ref.	Part No.	Description	Qty.
1	1020781-16	Hitch Weldment, Front	1
2	1020803-16	Height Adjustment Column	1
3	1020745-16	Pivot Arm, Upper	2
4	1020746-16	Pivot Arm, Lower	2
5	1020782-16	Hitch Weldment, Rear	1
6	1020783-16	Height Adjustment Brace	1
7	1020784	Height Adjustment Rod	1
8	1020786-16	Handle Weldment	1
9	1020765-16	Handle Inner Tube	1
10	1020774-16	Plate, Stabilizer	1
32	1020818	Ratchet Straps	2

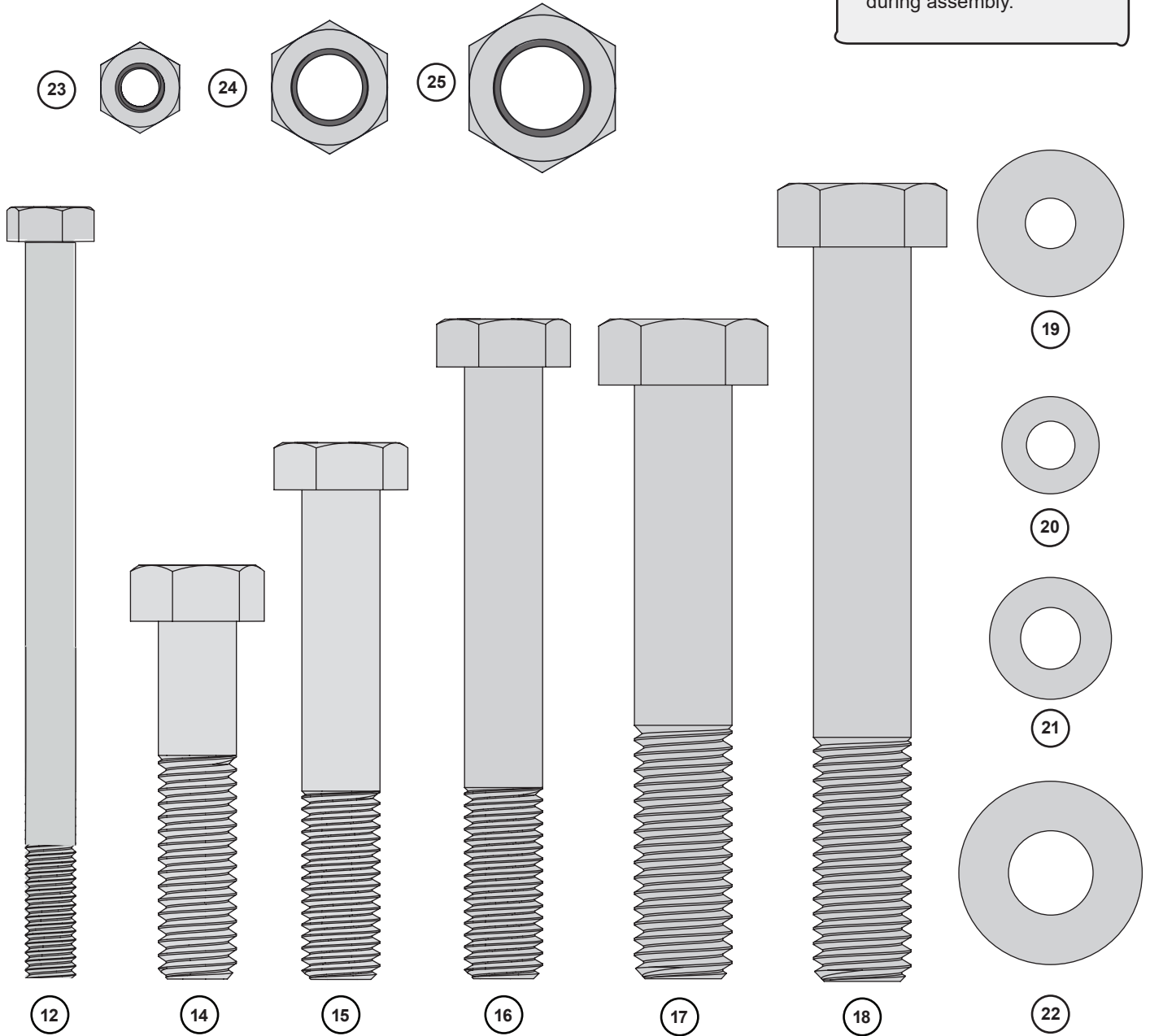
Ref.	1020811	Hardware Bag	Qty.
12	M08H125120SSD1	Bolt; Hex Head, M8 x 120mm	1
13	1020777	Pin; Clevis, 7mm	1
14	M12H175060S27	Bolt; Hex Head, M12 x 60mm	2
15	M12H175080S27	Bolt; Hex Head, M12 x 80mm	1
16	M12H175100S27	Bolt; Hex Head, M12 x 100mm	1
17	M16H200100S27	Bolt; Hex Head, M16 x 100mm	2
18	M16H200120S27	Bolt; Hex Head, M16 x 120mm	4
19	M08S24020FW	Washer; Flat, Oversized M8	1
20	M08S19020FW	Washer; Flat, M8	1
21	M12S20018FW	Washer; Flat, M12	2
22	M16S30020FW	Washer; Flat, M16	16
23	M08N125W27	Nut; Nylon Lock, M8	1
24	M12N175W27	Nut; Nylon Lock, M12	2
25	M16N200W48	Nut; Lock, M16	6
26	1020772	Pin, Hitch-Plated	2
27	1020813	Cotter Hairpin, 3mm	2
28	1020770	Handle Grip	1
29	1020775	Plug; Plastic Square	3
30	1020814	Cotter Hairpin, 2mm	1

# HARDWARE IDENTIFIER

**DO NOT RETURN PRODUCT IF YOU ARE MISSING PARTS.**

Please Call: 1 (877) 728-8224

Illustrations on this page are to scale for faster identification of hardware during assembly.



Ref.	Part No.	Description	Qty.	Ref.	Part No.	Description	Qty.
12	M08H125120SSD1	Bolt; Hex Head, M8 x 120mm	1	20	M08S19020FW	Washer; Flat, M8	1
14	M12H175060S27	Bolt; Hex Head, M12 x 60mm	2	21	M12S20018FW	Washer; Flat, M12	2
15	M12H175080S27	Bolt; Hex Head, M12 x 80mm	1	22	M16S30020FW	Washer; Flat, M16	16
16	M12H175100S27	Bolt; Hex Head, M12 x 100	1	23	M08N125W27	Nut; Nylon Lock, M8	1
17	M16H200100S27	Bolt; Hex Head, M16 x 100mm	2	24	M12N175W27	Nut; Nylon Lock, M12	2
18	M16H200120S27	Bolt; Hex Head, M16 x 120mm	4	25	M16N200W48	Nut; Lock, M16	6
19	M08S24020FW	Washer; Flat, M8 Oversized	1				

# ASSEMBLY

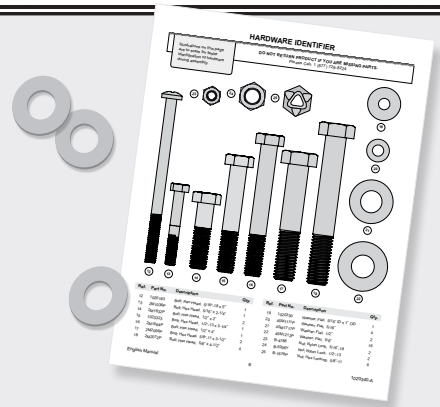
## ASSEMBLY TIP: Illustrations on page 6 are to-scale.

For faster identification of the hardware during assembly, simply lay the hardware on top of these illustrations.



Additional info and videos are available on our website: [brinly.com](http://brinly.com)

This QR code links directly to the OPL2-BH product page.



## Step 1

Measure from the center of your UTV / ATV hitch receiver to the ground.

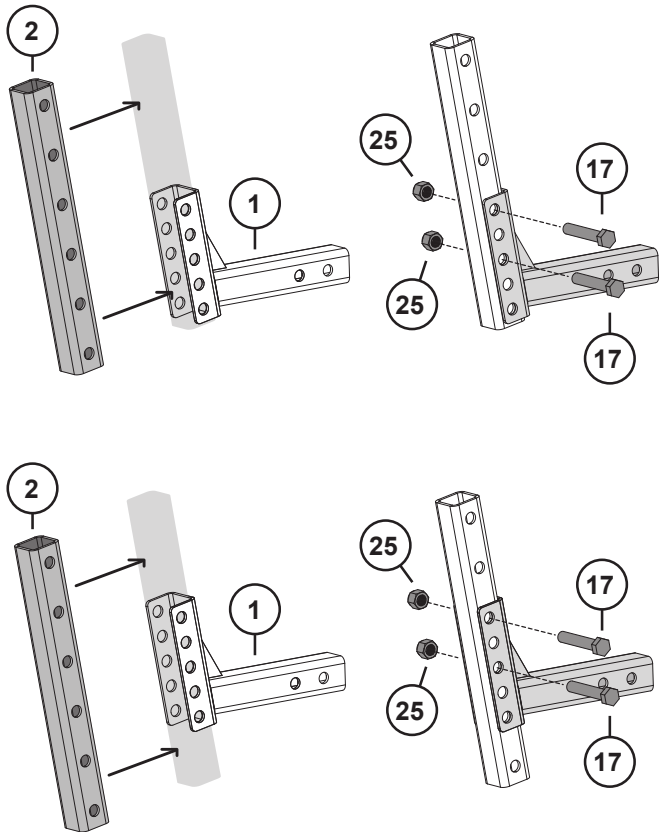


### FOR 8"-12"

Align the Front Hitch Weldment (1) at the base of the Hitch Adjustment Column (2) as illustrated here.

### FOR 12"-15"

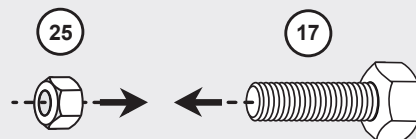
Align the Front Hitch Weldment (1) with the Hitch Adjustment Column (2) as illustrated here.



NOTE: This alignment / height setting can be adjusted later to best suit your UTV hitch height.

Secure these parts using:

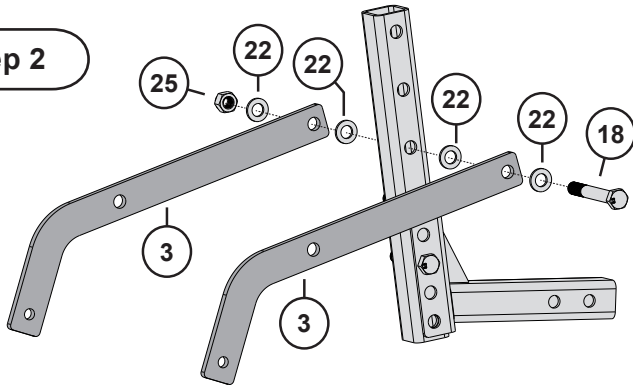
- x2 Hex Bolts; M16 x 90mm (17)
- x2 Nylon Lock Nuts; M16 (25)



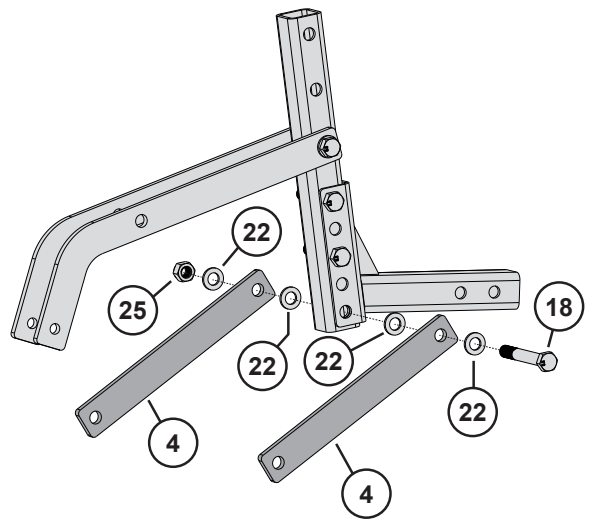
x2

# ASSEMBLY

## Step 2



Aligning the two Upper Pivot Arms (3) as illustrated and with decals facing out, **LOOSELY** attach to the Hitch Adjustment Column (2) with hardware in the following order:

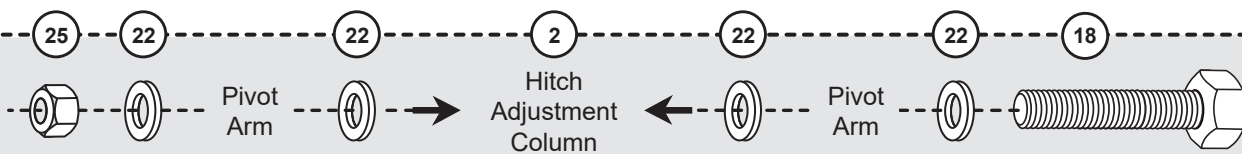


Aligning the Lower Pivot Arms (4), attach **LOOSELY** to the Hitch Adjustment Column (2) by adding hardware in the following order:

**NOTE: Pivot Arms should be able to swivel with some stiffness.**

- x1 Hex Bolt; M16 x 120mm (18)
- x1 Flat Washer; M16 (22)
- 1st Pivot Arm** (*decals facing out, if applicable*)
- x1 Flat Washer; M16 (22)
- Hitch Adjustment Column (2)**  
(*and Front Hitch Weldment, if applicable*)
- x1 Flat Washer; M16 (22)
- 2nd Pivot Arm** (*decals facing out, if applicable*)
- x1 Flat Washer; M16 (22)
- x1 Nylon Lock Nuts; M16 (25)

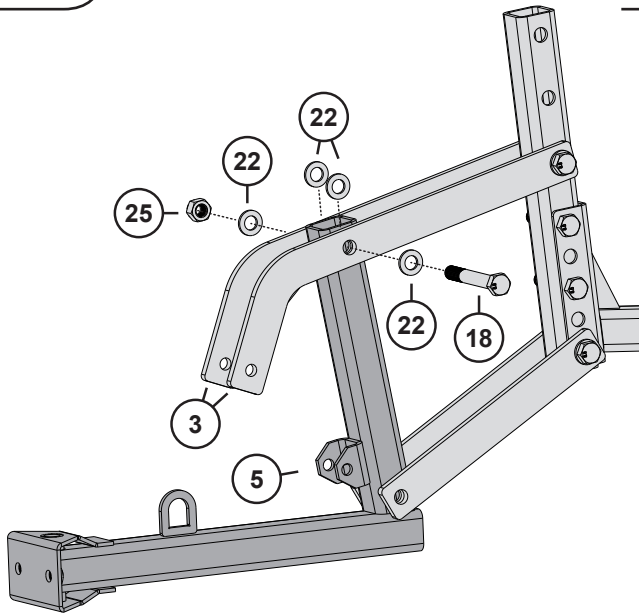
**NOTE:**  
The long arm bar can be adjusted for a different height and angle setting based on the height of the UTV hitch height and the depth / lift needed for the intended attached ground engaging product.



**x2**

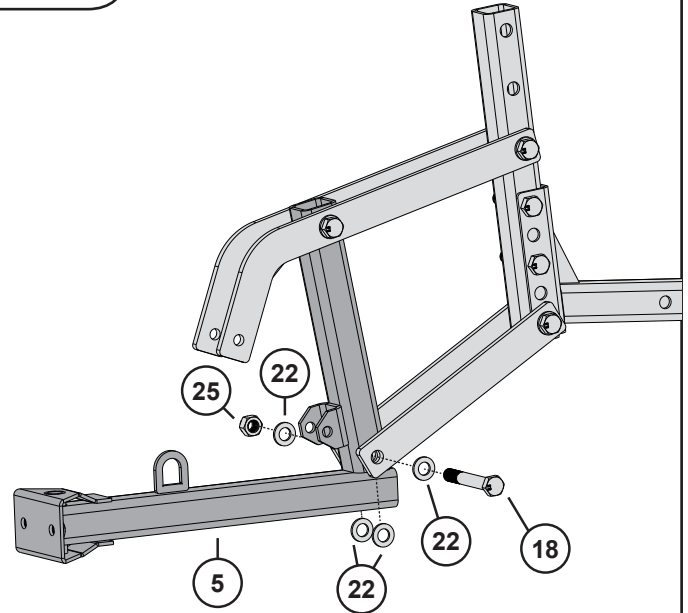
# ASSEMBLY

## Step 3-A



Slide the Rear Hitch Weldment (5) in place, between the two center holes of the upper Pivot Arms (3), as illustrated here. Attach **LOOSELY** with hardware in the following order:

## Step 3-B

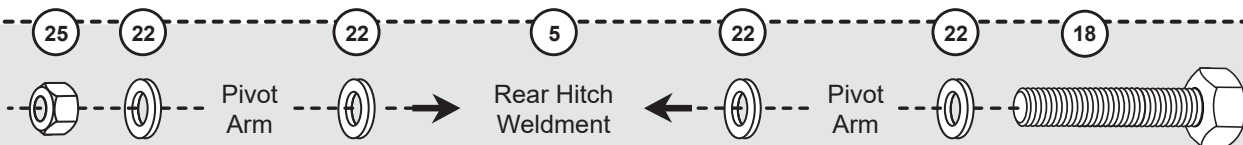


At the base of the Rear Hitch Weldment (5), slide the two lower Pivot Arms (4) in place, as illustrated here. Attach **LOOSELY** with hardware in the following order:

**NOTE: Allow some movement.**

- x1 Hex Bolt; M16 x 120mm (31)
- x1 Flat Washer; M16 (22)
- 1st Pivot Arm**
- x1 Flat Washer; M16 (22)
- Rear Hitch Weldment (5)**
- x1 Flat Washer; M16 (22)
- 2nd Pivot Arm**
- x1 Flat Washer; M16 (22)
- x1 Nylon Lock Nut; M16 (25)

**NOTE:**  
Pivot Arms  
should be able to  
swivel with some  
stiffness.



**x2**

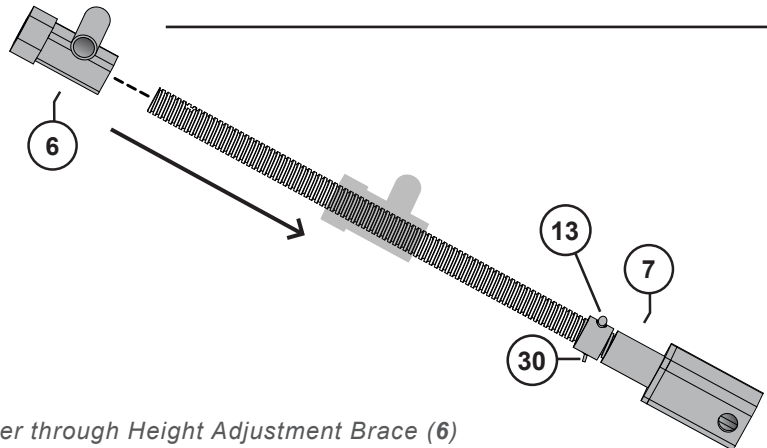
# ASSEMBLY

## Step 4

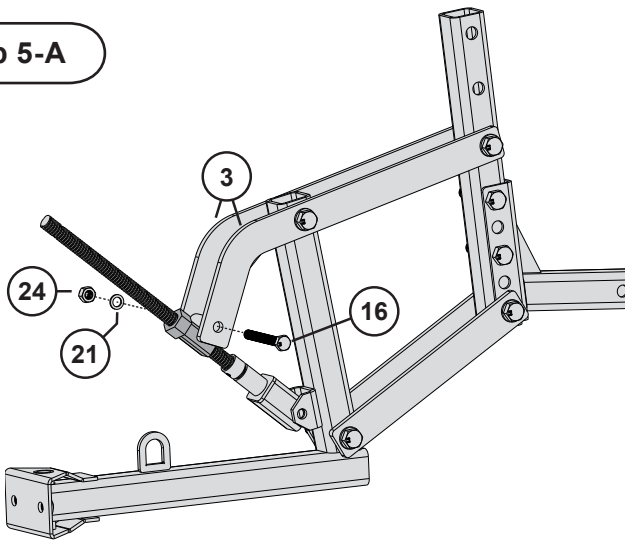
The Height Adjustment Brace (6) should be installed about halfway down the Height Adjustment Rod (7). Verify that the Hitch Pin (13) goes through the Height Adjustment Rod (7) collar and is secured with pin (30) as shown.



NOTE: If needed, slide a screwdriver through Height Adjustment Brace (6) to easily turn along the length of the Height Adjustment Rod (7).

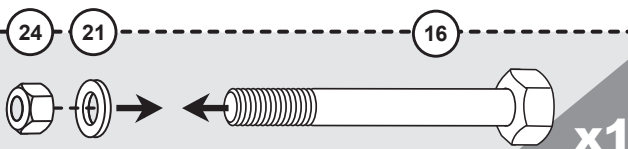


## Step 5-A

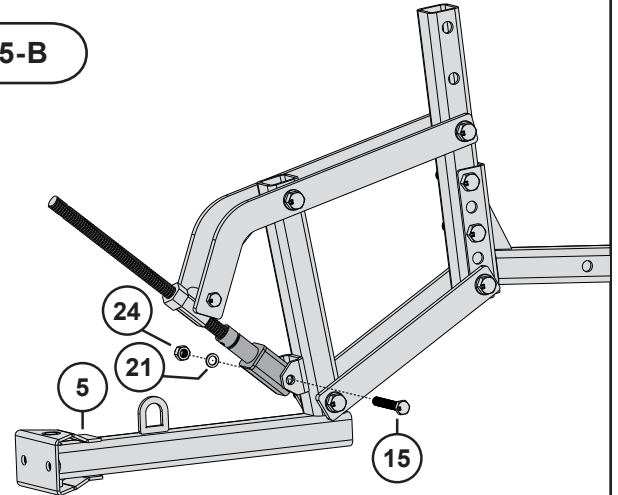


Slide the Height Adjustment Assembly (from step 4) between the upper pivot arm (3) ends, as illustrated. Attach (allowing movement) with the following hardware:

- x1 Hex Bolt; M12 x 100mm (16)
- x1 Flat Washer; M12 (21)
- x1 Nylon Lock Nut; M12 (24)

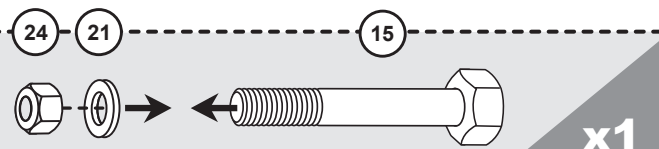


## Step 5-B



Rotate the base of the Height Adjustment Assembly between the Rear Hitch Weldment (5) tabs, as illustrated. Attach with the following hardware:

- x1 Hex Bolt; M12 x 80mm (15)
- x1 Flat Washer; M12 (21)
- x1 Nylon Lock Nut; M12 (24)

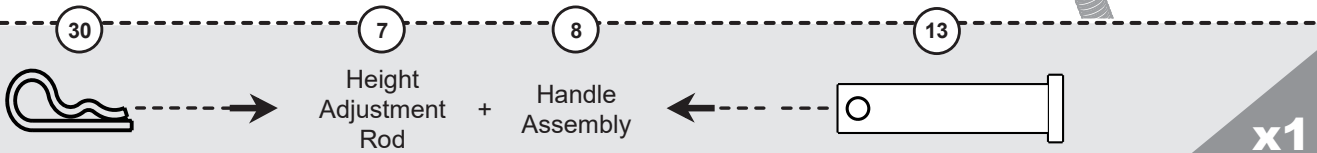
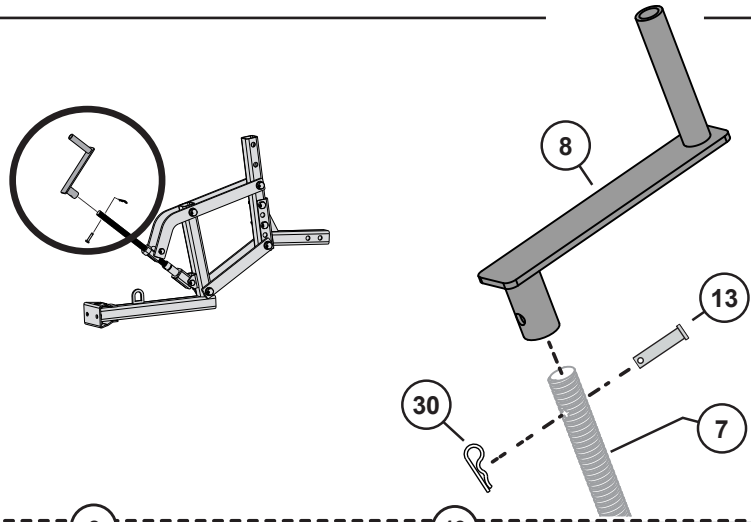


# ASSEMBLY

## Step 6

Slide the Handle (8) on the end of the Height Adjustment Rod (7), making sure to align the holes of each. Attach using the following hardware in order:

- x1 Pin; Clevis 7mm (13)
- x1 Cotter Hairpin, Small (30)



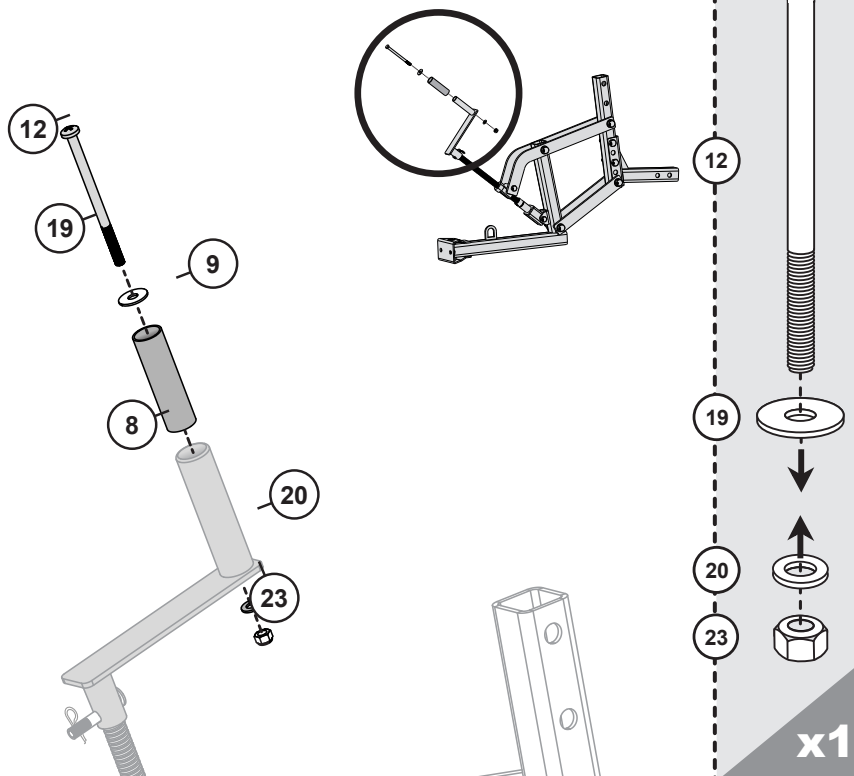
NOTE: At this point you can test to make sure that the unit can change height / angle by using the newly installed handle. If it cannot then slowly check and loosen the screws from Steps 5, 3, and 2.

## Step 7-A

Slide the Handle Inner Tube (9) on the end of the Handle Assembly (8).

Next, add an Oversized Flat Washer M8 (19) on the M8 x 120mm Hex Bolt (12).

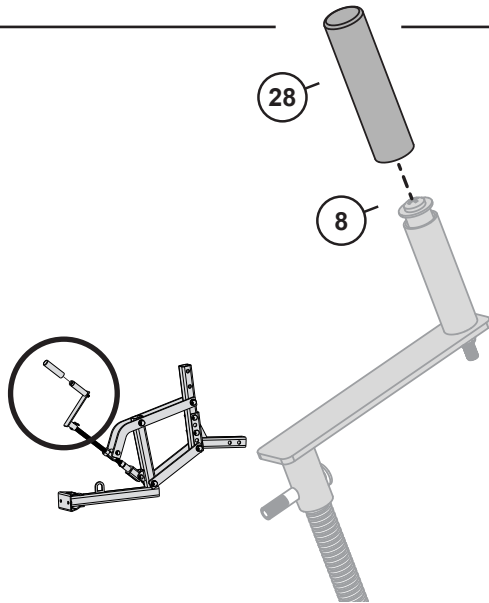
After sliding this bolt through the handle as illustrated, secure beneath the handle with a M8 Flat Washer (20) and M8 Nylon Lock Nut (23).



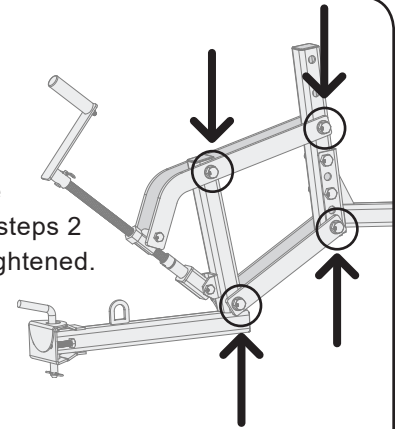
# ASSEMBLY

## Step 7-B

Add the Red Handle Grip (28), over the Handle Assembly (8) as illustrated. *Assembly tip, try dipping the handle in soapy water.*



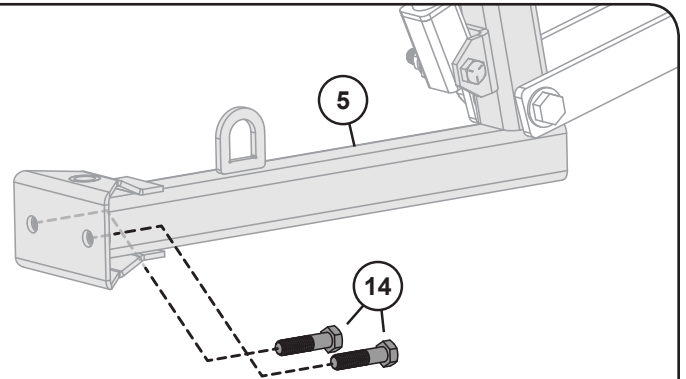
At this point the hardware from steps 2 and 3 can be tightened.



**NOTE:** Allow some movement with the turning of the handle.

## Step 8-A

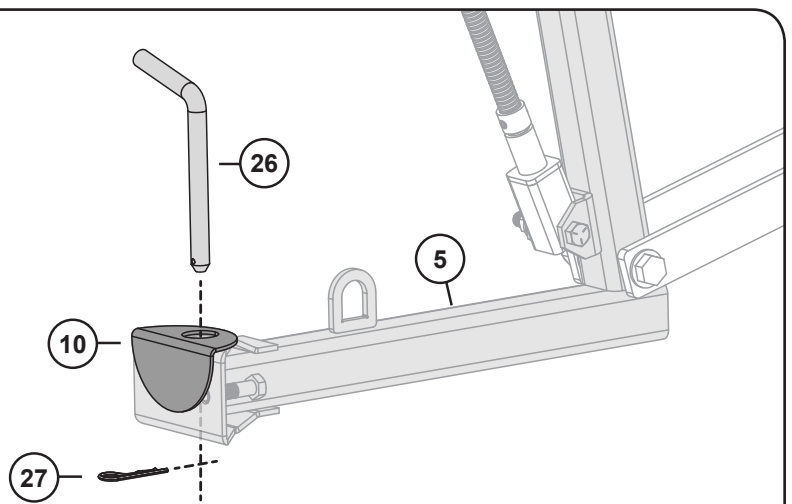
At the base of the Rear Hitch Weldment (5), thread the two M12 x 50mm Hex Head Bolts (14).



## Step 8-B

At the base of the Rear Hitch Weldment (5), place the Stabilizer Plate (10) as illustrated.

Run the Hitch Pin (26) through, secure from below with a Haripin Cotter (27).



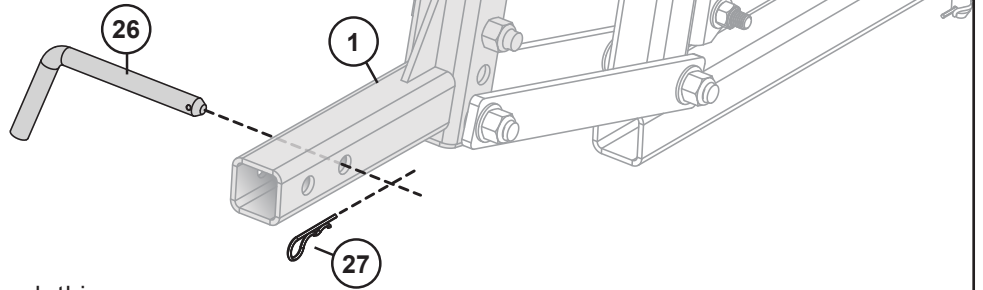
# ASSEMBLY

## Step 8-C



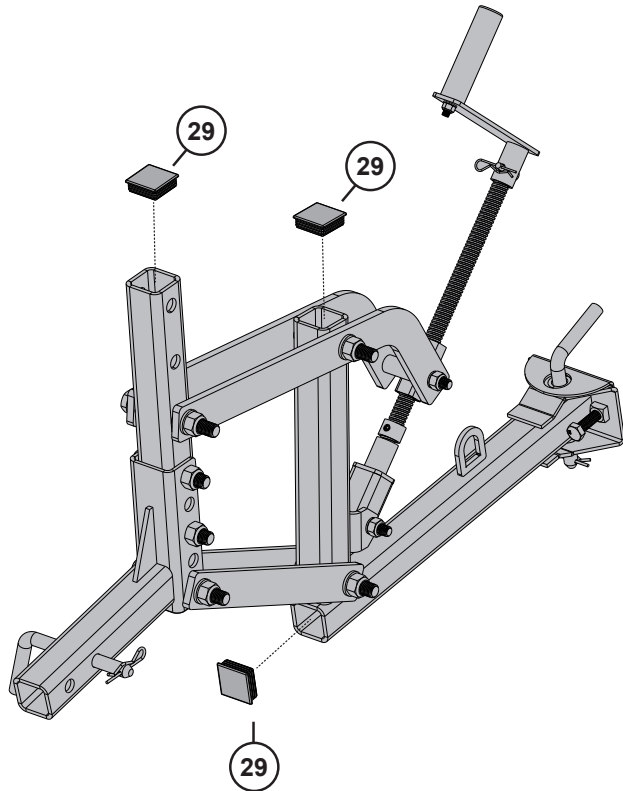
On the other end of the Hitch Assembly, find the 2nd hole at the end of the Front Hitch Weldment (1).

Run the second Hitch Pin (26) through this opening and secure with a Hairpin Cotter (27).



## Step 8-D

Insert the three provided End Caps (29) as illustrated here.

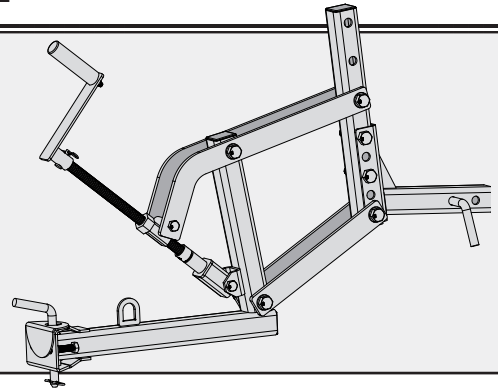


**Assembly is Complete!**

NOTE: Ratchet Straps are necessary.  
Continue to the Use and Care section for details on proper use.

# USE AND CARE

## ONE POINT LIFT SYSTEM (OPL2-BH)



### SPECIFICATIONS

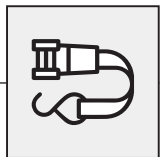
Maximum  
Towing Speed . . . . . 5 mph  
Material . . . . . 2" Square Tube  
Steel Stock

#### COMPATIBILITY

- BS-381      - BS-381-A
- BS-42BH    - BS-42BH-A
- BB-562      - BB-562-A
- CC-560      - CC-560-A
- DD-551      - DD-551-A
- PP-510      - PP-510-A

*For use with utility task vehicles  
and all terrain vehicles.*

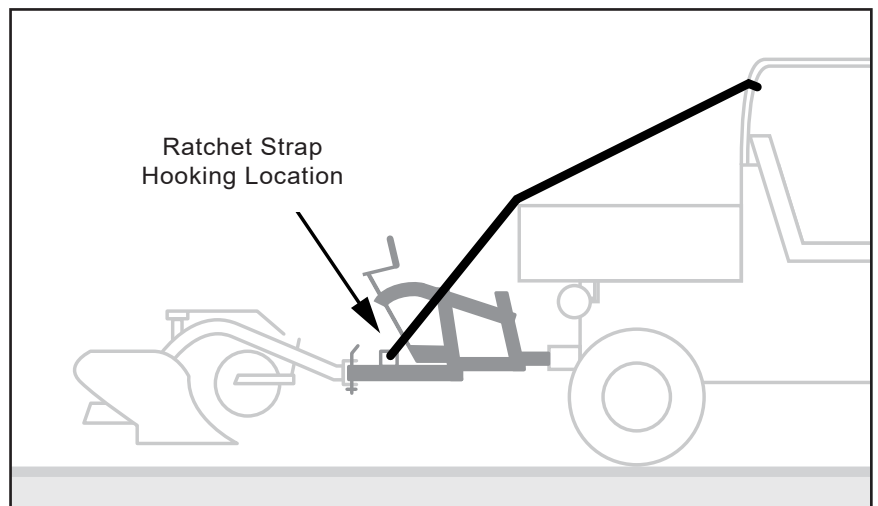
### RATCHET STRAPS



For additional support and to prevent any damage, do not use product without ratchet straps securing the product to the bed or cage of the vehicle.

Keep ratchet straps connecting the lift and attached vehicle tight when in transport mode. Straps can be slightly loosened once the attached product is engaged with the ground.

- Minimum strap length . . . . . 14'
- Minimum strap width . . . . . 1"
- Hook type . . . . . S or J
- Work load limit . . . . . 500 pounds
- Break strength . . . . . 1500 pounds

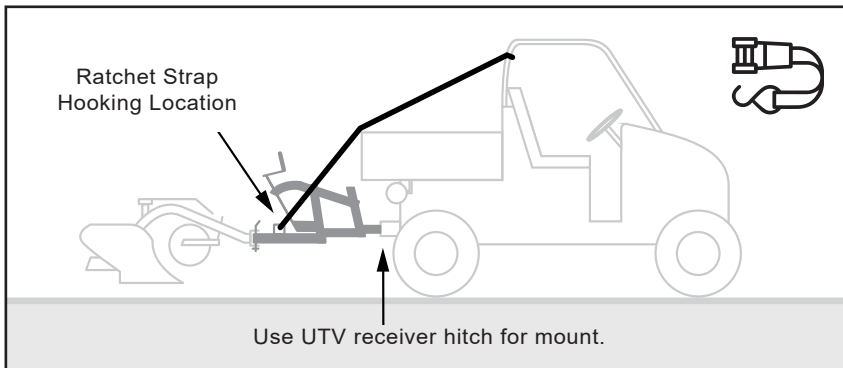
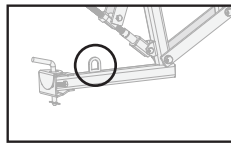
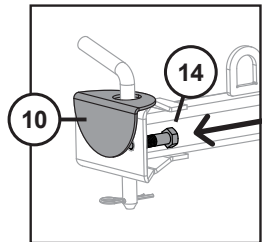
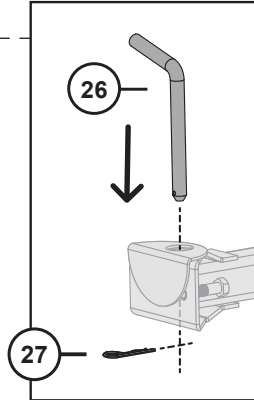


# USE AND CARE

## INSTALLING

NOTE: Do not install or remove product from UTV while ground engaging product is attached.

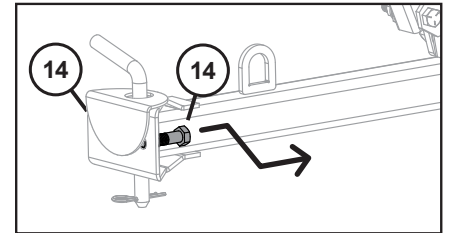
1. Park machine safely.  
(See *Towing Machine manual*.)
2. Insert the lift into UTV receiver and pin to lock in place. Secure with a cotter pin.
3. To install ground engaging product lower the end of the lift to match the height of the receiving end of the ground engaging product's sleeve hitch point.
4. Secure with hitch pin (26) and cotter pin (27).
5. Using a 19mm wrench, tighten the two bolts (14) by the sleeve hitch Stabilizing Plate (10).  
NOTE: This will press against ground engaging product, preventing any swaying / movement.
6. Ratchet straps should attach from the cage or bed of UTV to the OPL2-BH Hitch hooking location, indicated below.



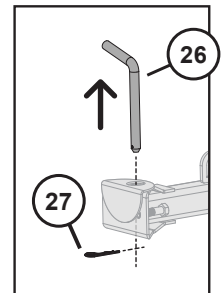
## REMOVING

NOTE: Do not install or remove the product from your UTV while ground engaging product is attached.

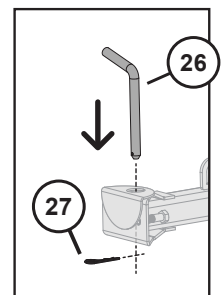
1. Park machine safely.  
(See *Towing Machine manual*.)
2. Remove ratchet straps and loosen the two stabilizing bolts (14) at the base of the OPL2-BH Hitch and attachment.



3. Remove the hairpin cotter (27) & hitch pin (26).
4. Remove attachment.



5. Re-install hitch pin (26) and the hairpin cotter (27) for storage.
6. Detach the OPL2-BH from your towing machine.



# USE AND CARE

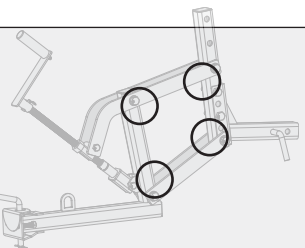
## OPERATION



### **WARNING: PINCH POINTS**



Do not pick up the product near the 4 inside corners on either side as it may cause injury.



### **WEIGHT:**

- Do not exceed tongue weight of attached vehicle.
- Minimum recommended towing capacity of the ATV/UTV to use the lift with is 1500 lbs.

### **STRAPS:**

- Do not use product without ratchet straps securing the product to the bed or cage of the vehicle.
- Keep ratchet straps connecting the lift and attached vehicle tight when in transport mode. Straps can be slightly loosened once the attached product is engaged with the ground.

### **SPEED:**

- Do not exceed 5 mph when attached ground engaging products are engaged with the ground.

### **SETTINGS:**

- The bars attached to 1020803-16 can be adjusted to different holes for various lift/depth heights as needed. The one shown in the manual/model provides the optimal amount of lift/engaged heights for general use.

### **OPERATION:**

- Once assembled, turn handle clockwise to lift the end and reverse to lower.
- The lead screw should be lubricated with a light coat of a light oil before each use.
- Always follow instructions of both the attached ground engaging product and UTV / ATV's manuals.

### **ADJUSTMENT:**

- Do not change attachment point of the arm bars when ground engaging product is attached.

## MAINTENANCE



- Keep lead screw clean from debris, and before each use light oil on lead screw to prevent binding.
- If lead screw becomes stuck then slightly loosen the bolts from steps 5, 3 and 2. If problem persists then relieve pressure from active end of the unit, then clean lead screw from any debris and apply light coating of oil or WD 40.
- Should rust develop, sand lightly & then paint area with enamel.
- Periodically check all fasteners for tightness.

Additional info and videos are available on our website:

[brinly.com](http://brinly.com)

*This QR code links directly to the OPL2-BH product page.*







MANUFACTURER'S LIMITED WARRANTY  
**OPL2-BH**

*The limited warranty set forth below is given by Brinly-Hardy Company with respect to new merchandise purchased and used in the United States (its possessions and territories) and Canada.*

Brinly-Hardy Company warrants the products listed below against defects in material and workmanship, and will at its option, repair or replace, free of charge, any part found to be defective in materials or workmanship. This limited warranty shall only apply if this product has been assembled, operated, and maintained in accordance with the Operator's manual furnished with the product, and has not been subject to misuse, abuse, commercial use, neglect, accident, improper maintenance, alteration, vandalism, theft, fire, water, or damage because of other peril or natural disaster.

Parts found to be defective within the warranty period will be replaced at our expense. Our obligation under this warranty is expressly limited to the replacement or repair, at our option, of parts found to be defective in material and workmanship.

**HOW TO OBTAIN SERVICE:** Warranty parts replacements are available, only with proof of purchase, through our Customer Service Department. Call 877-728-8224.

**This limited warranty does not provide coverage in the following cases:**

- a. Routine maintenance items such as lubricants & filters.
- b. Normal deterioration of exterior finish due to use or exposure.
- c. Transportation and/or labor charges.
- d. The warranty does not include commercial and/or rental use.

**No implied warranty, including any implied warranty of merchantability of fitness for a particular purpose, applies after the applicable period of express written warranty above as to the part as identified below. No other express warranty whether written or oral, except as mentioned above, given by any person or entity, including a dealer or retailer, with respect to any product, shall bind Brinly-Hardy Co. During the period of the warranty, the exclusive remedy is repair or replacement of the product as set forth above.**

**The provisions as set forth in this warranty provide the sole and exclusive remedy arising from the sale. Brinly-Hardy Co. shall not be liable for incidental or consequential loss or damage including, without limitation, expenses incurred for substitute or replacement lawn care services or for rental expenses to temporarily replace a warranted product.**

Some states do not allow the exclusion or limitation of incidental or consequential damages, or limitations on how long an implied warranty lasts, so the above exclusions or limitations may not apply to you.

During the warranty period, the exclusive remedy is replacement of the part. In no event shall recovery of any kind be greater than the amount of the purchase price of the product sold. Alteration of safety features of the product shall void this warranty. You assume the risk and liability for loss, damage, or injury to you and your property and/or to others and their property arising out of the misuse or inability

to use this product. *NOTE: This limited warranty shall not extend to anyone other than the original purchaser or to the person for whom it was purchased as a gift.*

This limited warranty lasts as long you own your product purchased from an authorized seller. **Coverage terminates once you sell or otherwise transfer the product.**

This limited warranty does not cover any purchaser other than the original purchaser of the product, nor does it cover any product purchased from an unauthorized third-party. If you are not the original purchaser of this product, your product is not covered by our limited warranty and you take the product "AS IS" and "with all faults."

We may require proof of purchase from you demonstrating that you are the original purchaser of the product, purchased the product from an authorized dealer, and are eligible to make a valid claim under this limited warranty.

**How state law relates to this warranty:** This limited warranty gives you specific legal rights, and you may also have other rights which vary from state to state.

**IMPORTANT:**

The Warranty period stated below begins with the proof of purchase. Without the proof of purchase, the Warranty period begins from the date of manufacture determined by the serial number manufacturing date. All parts replaced under warranty will be considered as part of the original product, and any warranty on the replaced parts will expire coincident with the original product warranty.

**WARRANTY PERIOD:**

*See applicable parts listed below.*

**Standard / Residential Use:**

Steel Frame & Steel Parts . . . . . 2 years

*All other normal wear parts or component failures will be covered on this product for a period of 90 days.*

*If this equipment is being used in a commercial application and / or for multiple properties, the warranty is 90 days after purchase for all parts.*