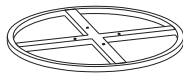
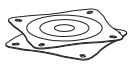
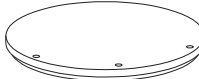


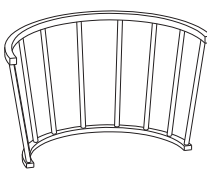


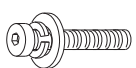
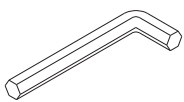
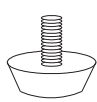
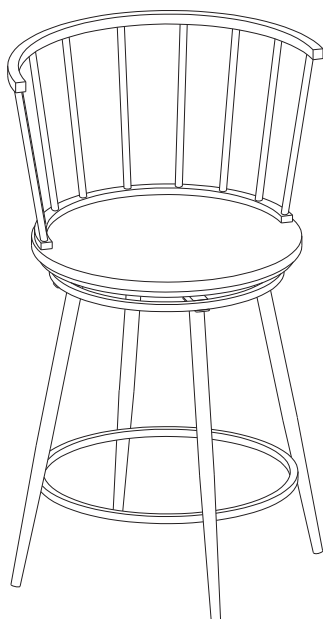


ASSEMBLY INSTRUCTION

551SW-24 LOW BACK WINDSOR 24" COUNTER HEIGHT CHAIR

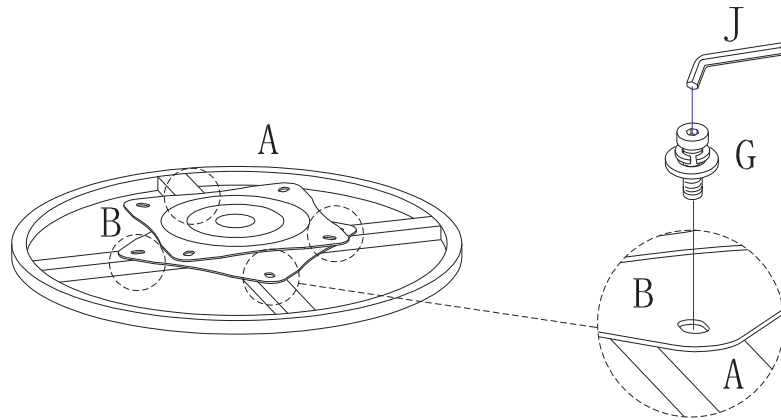
A Upper Ring  1 pc	B Swivel Panel  1 pc	C Seat  1 pc	D Leg  4 pcs	E Bottom Ring  1 pc
F Chair Back  1 pc	G Bolt With Lock Washer And Flat Washer 1/4", 5/8"  16 pcs	H Flat Head Bolt 1/4", 1"  4 pcs	I Bolt With Lock Washer And Flat Washer 1/4", 1-3/4"  3 pcs	J Allen Key 4mm  1 pc
K Leveler 1/4", ϕ 18, 15mm  4 pcs				



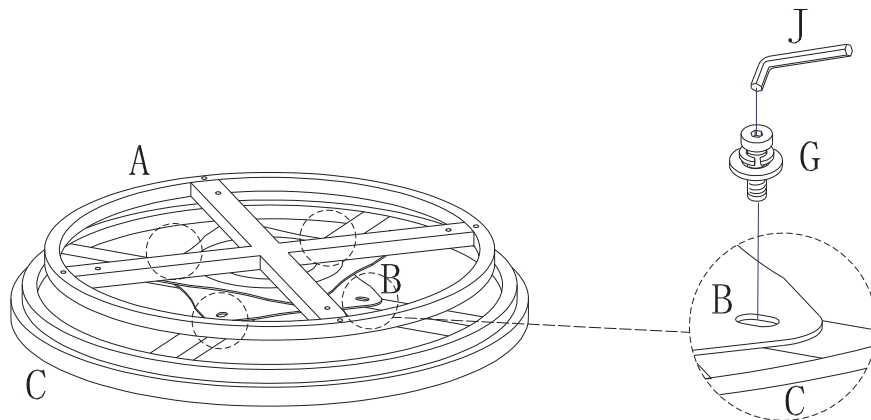
This page lists all the contents included in the box. Please take the time to identify the hardware as well as the individual components to this product. As you unpack and prepare for assembly, place the contents on a carpeted or padded area to protect them from damage.

1

Attach Swivel Panel (B) to Upper Ring (A), using Bolt (G) and Allen Key (J) to tighten.

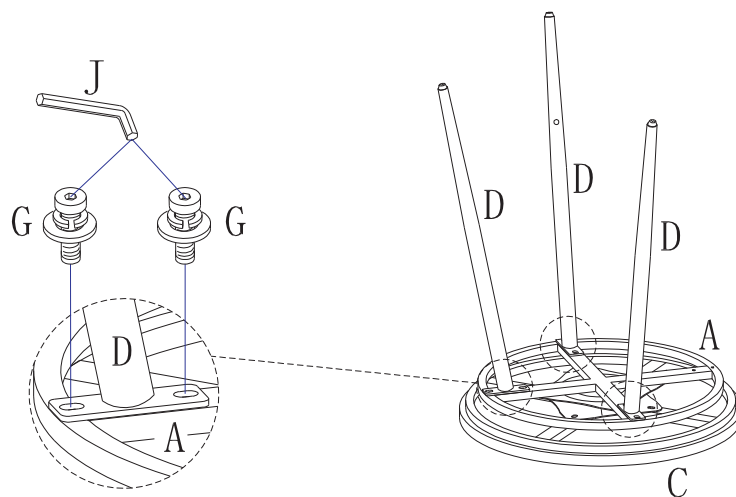
**2**

Put the Seat (C) on a smooth and stable working stand. Then attach Upper Ring (A) to the Seat (C), using Bolt (G) and Allen Key (J) to tighten.

**3**

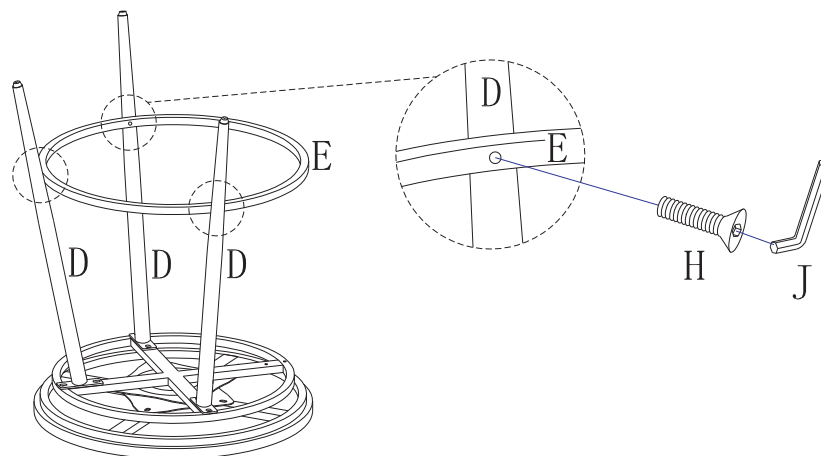
Attach three Legs (D) to the Upper Ring (A), using Bolt (G) and Allen Key (J) to tighten.

Take the Allen Key, and turn the bolts until the legs are secure. DO NOT TIGHTEN COMPLETELY. Stop when you feel you are adding force to tighten the bolt.

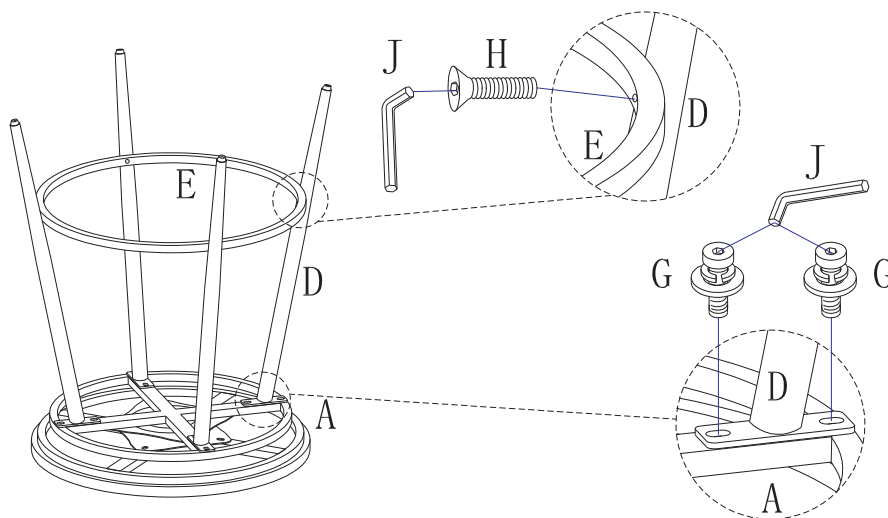


4

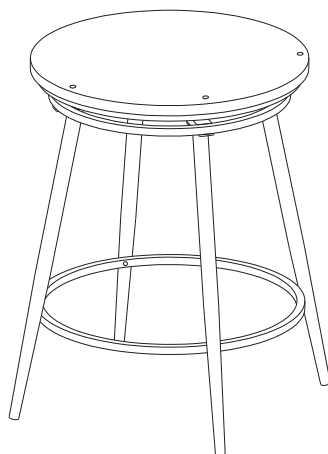
Attach Bottom Ring (E) to Leg (D), using Bolt (H) and Allen Key (J) to tighten.

**5**

Attach Legs (D) to the Upper Ring (A) and Bottom Ring (E), using Bolt (G), Bolt (H) and Allen Key (J) to tighten.

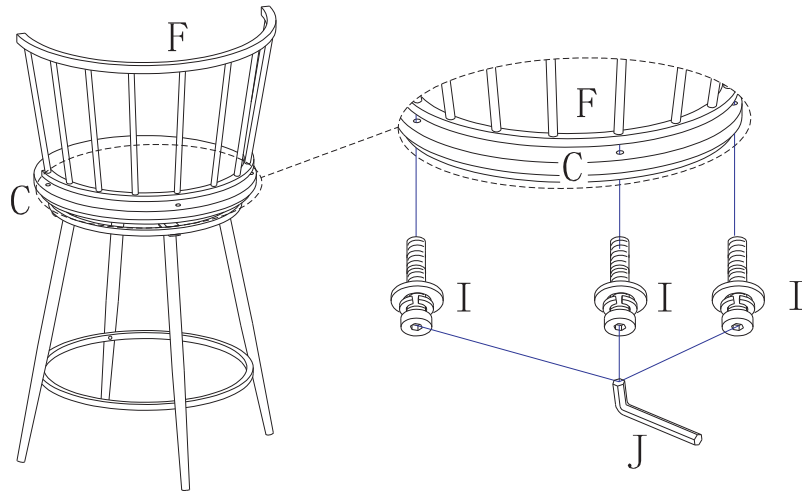
**6**

Place upright assembled seat with legs.



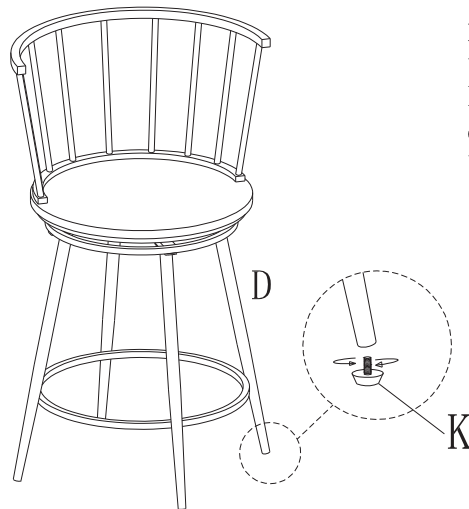
7

Attach Chair Back (F) with Seat (C) then tighten with Bolt (I) and Allen Key (J).

**8**

Attach the Leveler (K) to Leg (D).

Stand chair up on an even surface and check that it is balanced. If there is a slight wobble, apply downward pressure in the corner where a leg is uneven. Keeping pressure in that corner, tighten all bolts. If balanced, apply downward pressure evenly in the center and tighten all bolts. Do not over-tighten beyond hole depth.



Helpful Tip:

-Instead of applying downward pressure while reaching under to tighten bolts, have someone sit in the chair while you tighten the bolts.

Cleaning & Care

Treat surface with care. Surface is resistant to scratches but is not scratch resistant. Clean surfaces with a dry or damp soft cloth. Do not use abrasive cleaners. Hardware may loosen over time. Periodically check that all connections are tight.