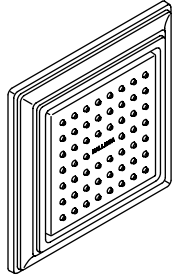
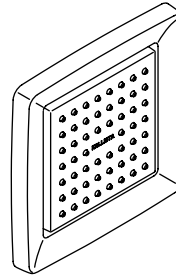


INSTALLATION INSTRUCTIONS



P22077



P22079

INSTALLATION INSTRUCTIONS

THANK YOU FOR CHOOSING KALLISTA

We appreciate your commitment to KALLISTA quality products. Please take a moment to review this manual before you install your KALLISTA product. If you encounter any installation or performance problems, please do not hesitate to contact us at the phone number listed at the bottom of the page.

BEFORE YOU BEGIN

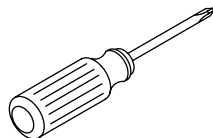
⚠️ WARNING: Risk of scalding. High water temperature can cause severe burns. Set the water temperature at or below 120°F (49°C) following the adjustment procedure in the valve Installation Instructions.

- Prior to installation, unpack the new bodyspray and inspect it for damage. Return the bodyspray to its protective carton until you are ready to install it.
- Observe all local plumbing and building codes.
- Shut off the water supply.
- Inspect the supply tubing. Replace if necessary.
- KALLISTA reserves the right to make revisions in the design of products without notice, as specified in the Price Book.

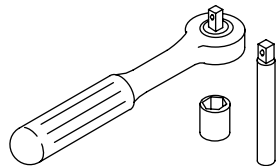
TOOLS AND MATERIALS



5/64" & 5/32"
Hex Wrenches



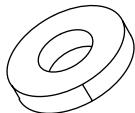
Phillips
Screwdriver



Socket Wrench with 11 mm or
7/16" Socket and Extension



Sealant Tape



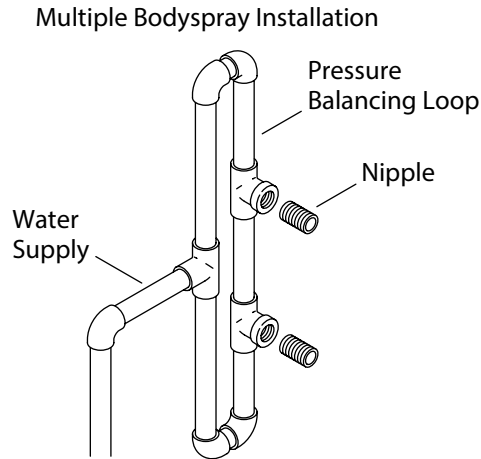
Masking Tape

Plus:

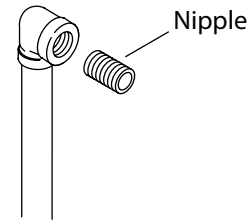
- Close Nipple or
- 1-1/2" NPT Pipe Nipple
- 1/2" NPT Female Fittings
- 1/2" Copper Pipe
- Level or Straight Edge

INSTALLATION INSTRUCTIONS

1. INSTALL THE SUPPLY PIPING



Single Bodyspray Installation



Multiple Bodyspray Installation

- Route the water supply lines.
- If installing more than one bodyspray off the same supply line, construct a pressure balancing loop.
- Locate a tee along the loop at each bodyspray installation location.

Single Bodyspray Installation

- Route the water supply line.
- Install an elbow to the end of the supply pipe at the bodyspray installation location.

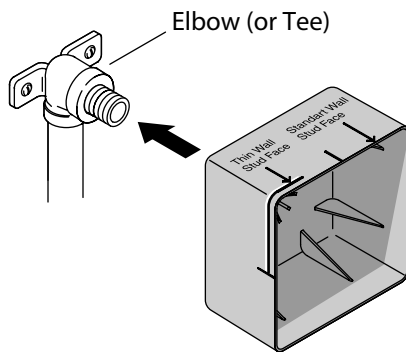
All Installations

- Temporarily install a nipple to each elbow/tee. Do not use any sealant.
- Do not strap the pipes at this time.

INSTALLATION INSTRUCTIONS

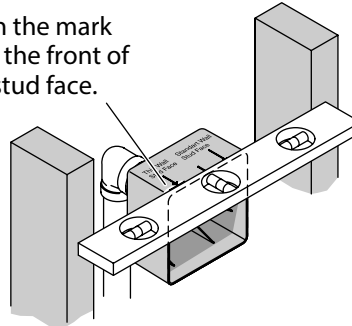
2. INSTALL THE PLASTER GUARD AND SET PIPE DEPTH

Install the Plaster Guard



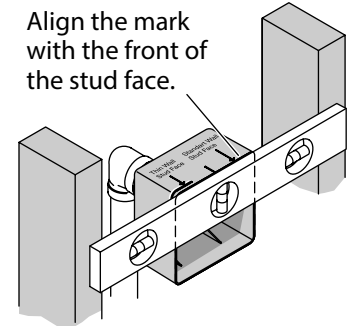
Set Pipe Depth

Align the mark with the front of the stud face.



Thin Wall

Align the mark with the front of the stud face.



Standard Wall

Install the Plaster Guard

- Push the plaster guard over the temporary nipple until snug against the face of the elbow/tee.

Set the Pipe Depth

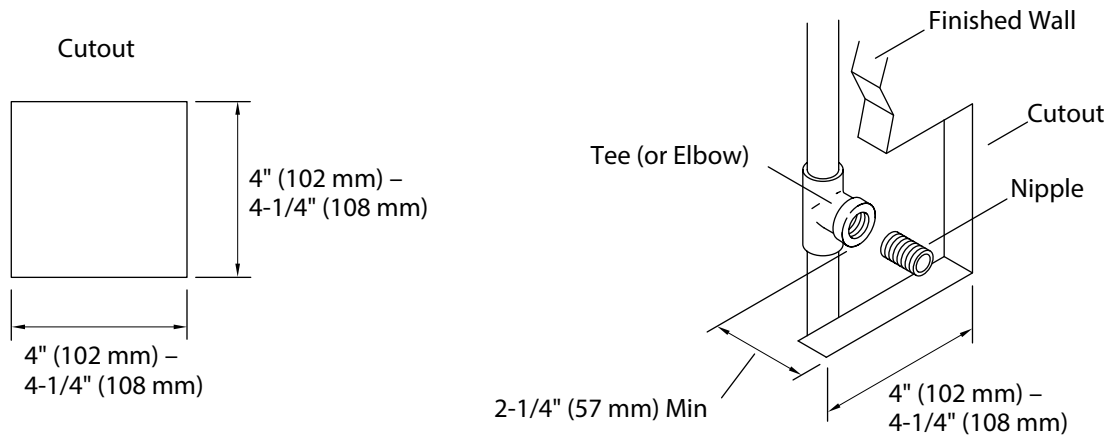
- To adjust the pipe depth, use a level or straight edge to align the appropriate arrow on the plaster guard with the front face of the studs.

NOTE: Thin wall installations have a finished wall thickness less than 1/2" (13 mm).

- Thin Wall Installation:** align the "Thin Wall Installation" mark with the front face of the studs.
- Standard Wall Installation:** align the edge of the plaster guard with the front face of the studs.
- Install appropriate backing and strap the pipes at the adjusted depth.

INSTALLATION INSTRUCTIONS

3. INSTALL THE FINISHED WALL AND THE NIPPLE



Install the Wall Material

- Install water-resistant wallboard.
- Cut out a 4" (102 mm) to 4-1/4" (108 mm) square at each bodyspray installation location.
- Install the finished wall material.

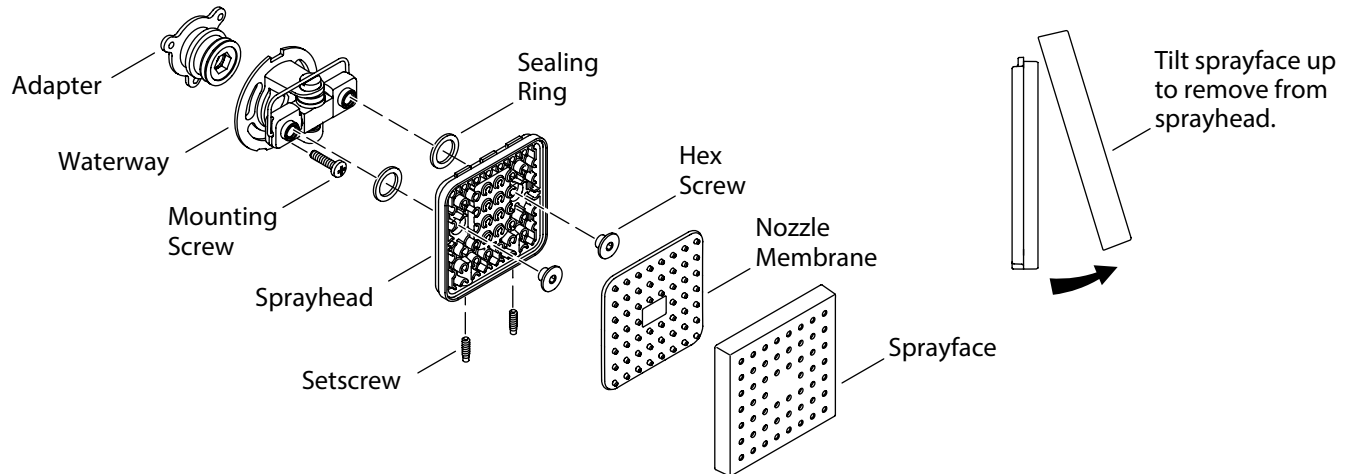
Install the Pipe Nipple

NOTE: The minimum distance between the face of the elbow/tee and the surface of the finished wall should be 2-1/4" (57 mm). The measurement for typical installations is 2-3/4" (70 mm).

- Remove the nipple.
- Measure the distance from the face of the elbow/tee to the surface of the finished wall. Make any adjustments as needed.
- If your measurement is 2-1/4" (57 mm):** use a close pipe nipple.
- If your measurement is 2-3/4" (70 mm):** use a 1-1/2" pipe nipple.
- Handtighten the nipple into the elbow/tee.
- Verify that the distance from the end of the nipple to the surface of the finished wall is at least 1-1/2" (38 mm) and no more than 1-3/4" (44 mm).
- Remove the nipple.
- Apply thread sealant to the nipple and reinstall to the elbow/tee.
- Run water through the system to flush out any debris.

INSTALLATION INSTRUCTIONS

4. DISASSEMBLE THE SPRAYFACE



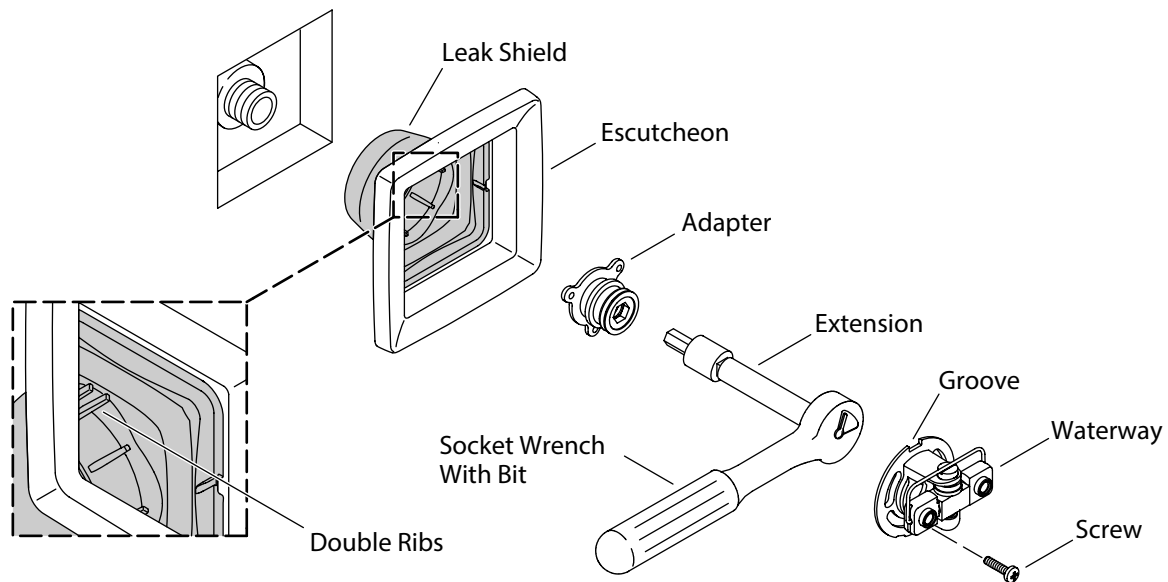
IMPORTANT! Do not discard any removed components.

IMPORTANT! Do not tighten the setscrews. They will need to be adjusted to complete the installation.

- Using a 5/64" hex wrench, turn each setscrew clockwise until the screw stops.
- Tilt the sprayhead up to remove the sprayface from the assembly.
- Remove the nozzle membrane, being careful not to tear membrane.
- Using a 5/32" hex wrench, remove the hex screws and set aside.
- Remove the sprayhead. Verify that the two sealing rings are still attached.
- Using a Phillips screwdriver, remove the mounting screw.
- Pull the waterway from the adapter.

INSTALLATION INSTRUCTIONS

5. INSTALL THE WATERWAY



- Insert the escutcheon into the rough opening with the double ribs of the leak shield facing up.
- If the leak shield contacts the elbow:** enlarge the hole in the back of the leak shield to 1-1/4" (32 mm).
- Thread the adapter onto the nipple using the provided 11 mm bit, 11 mm or 7/16" socket, extension and socket wrench. Use masking tape to hold the bit in place to prevent it from falling off and causing damage.

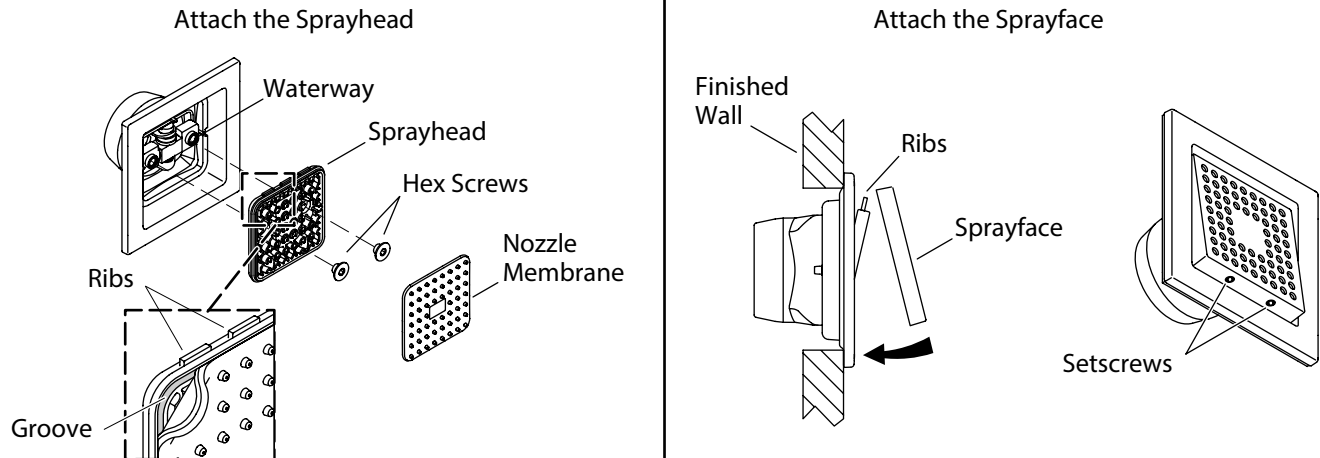
IMPORTANT! The escutcheon should sit loosely at this point. If it is tight against the wall, use a longer pipe nipple.

- Align the groove in the waterway with the double ribs on the leak shield.
- Press the waterway into place over the adapter. Secure the waterway to the adapter with the screw provided.
- Verify that the escutcheon does not turn or shift.

IMPORTANT! If the escutcheon is still loose after this step, use a shorter pipe nipple.

INSTALLATION INSTRUCTIONS

6. COMPLETE THE INSTALLATION



Attach the Sprayhead

- With the ribs of the sprayhead facing up, install the sprayhead to the waterway.
- Using a 5/32" hex wrench, secure the sprayhead to the waterway with the two hex screws provided. Do not overtighten.
- Verify the sprayhead moves freely up and down.
- Place the nozzle membrane over the sprayhead.
- Align the long edge of the membrane with the rib-side of the sprayhead.

NOTE: For optimum performance, ensure the membrane is applied evenly.

- Applying pressure evenly, press the membrane seal into the sprayhead groove.

Attach the Sprayface

NOTE: For products with brushed finishes, align the brushed patterns of the sprayface and the escutcheon in the same direction.

- Tilt the sprayhead down to expose the ribs on the top.
- Position the grooves of the sprayface over the ribs of the sprayhead.
- Press the sprayface down to cover the sprayhead, as illustrated.
- Tilt the sprayhead up to expose the holes on the bottom.

IMPORTANT! The setscrews must be flush with the edge of the sprayface. If the setscrews protrude outside of the sprayface, product damage will occur.

- Using a 5/64" hex wrench, turn the setscrews counterclockwise until they are flush with the edge of the sprayface.
- Turn on the main water supply and check for leaks. Repair as needed.