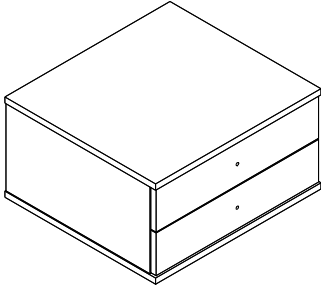
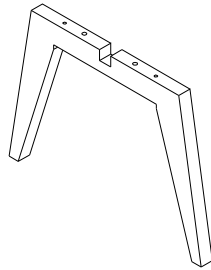


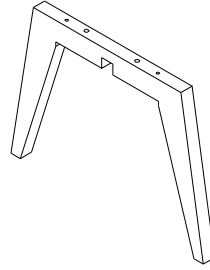
PARTS LIST



NAME: BOX
CODE: 1
QTY: 1Pc



NAME: LEG (BOTTOM)
CODE: 2
QTY: 1Pc

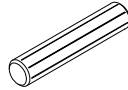


NAME: LEG (TOP)
CODE: 3
QTY: 1Pc

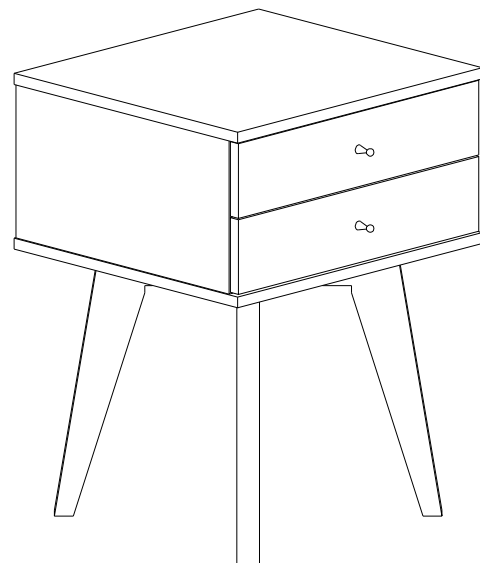
HARDWARE LIST



NAME: CHIPBOARD SCREW M4X32mm
CODE: A
QTY: 5Pcs



NAME: WOOD DOWEL M8X35mm
CODE: B
QTY: 4Pcs

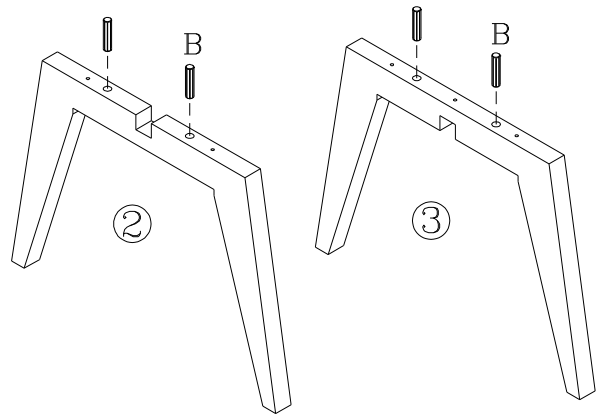


2 DRAWER NIGHTSTAND

-THE UNIT SHOULD BE ASSEMBLED BY 2 OR MORE PEOPLE
-EXTRA HARDWARE INCLUDED

STEP 1

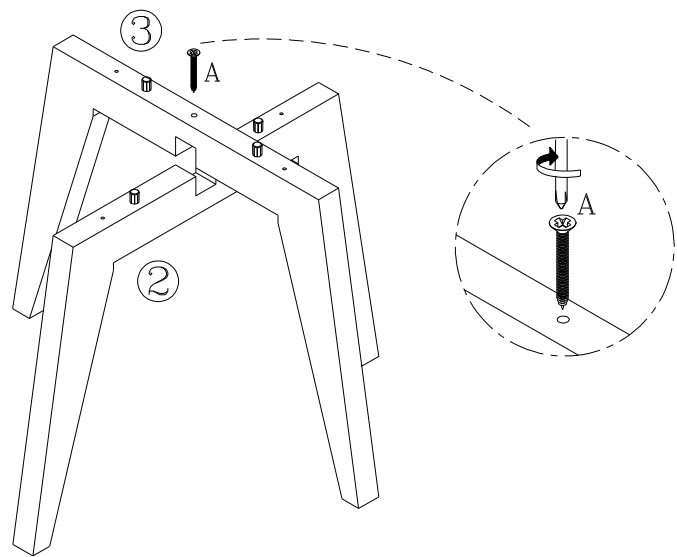
A) Insert Wood Dowel(B) to Both Leg(2&3)



STEP 2

A) Attach Both Leg(2&3) using Chipboard Screw (A) to secure

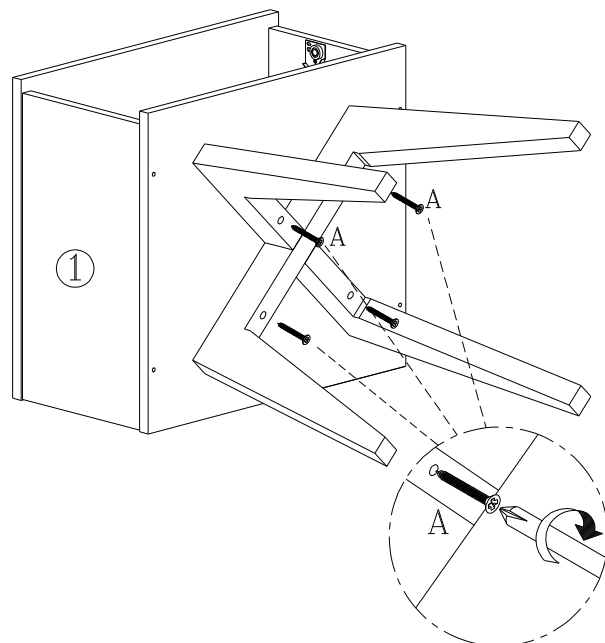
NOTE: Do not over tighten the screw

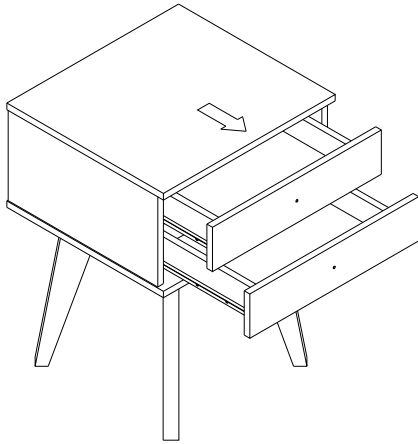


STEP 3

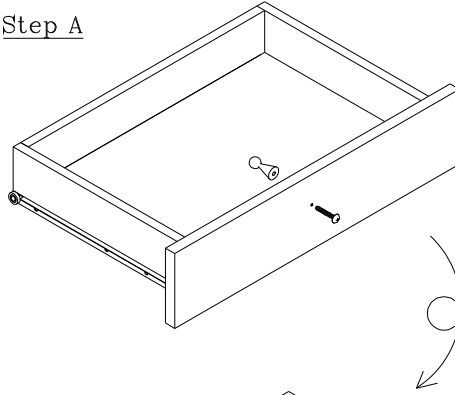
A) Attach Leg to Box(1) using Chipboard Screw(A) to secure

NOTE: Do not over tighten the screw

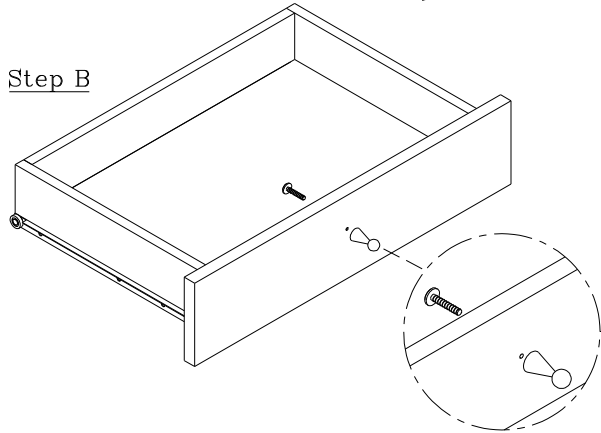




Step A



Step B



A) Remove Handle from inside of each
Drawer Front

B) Attach Handle to outer side both
Drawer Front and secure using
Panhead Screw

NOTE: Do not over tighten the
screw

