



Manufactured by:
Backyard Discovery
3305 Airport Drive, Pittsburg, KS
66762 800-856-4445

Basepoint Business Centre: Rivermead Drive, Westlea, Swindon SN5 7EX Phone: 0800-118-2476
J.P. Coenstraat 7, The Bridge, The Hague, 2595 WP, Netherlands Phone: 08005678990

16x14 LODGE GAZEBO

MODEL # : 2506077



WARNING

Cancer and Reproductive Harm
www.P65Warnings.ca.gov



Please visit www.backyarddiscovery.com

For the most up to date assembly manual, to register your product, or to order replacement parts *Para obtener instrucciones en español, visite* www.backyarddiscovery.com



EASY STEP-BY-STEP
3D INTERACTIVE INSTRUCTIONS
DOWNLOAD THE FREE APP



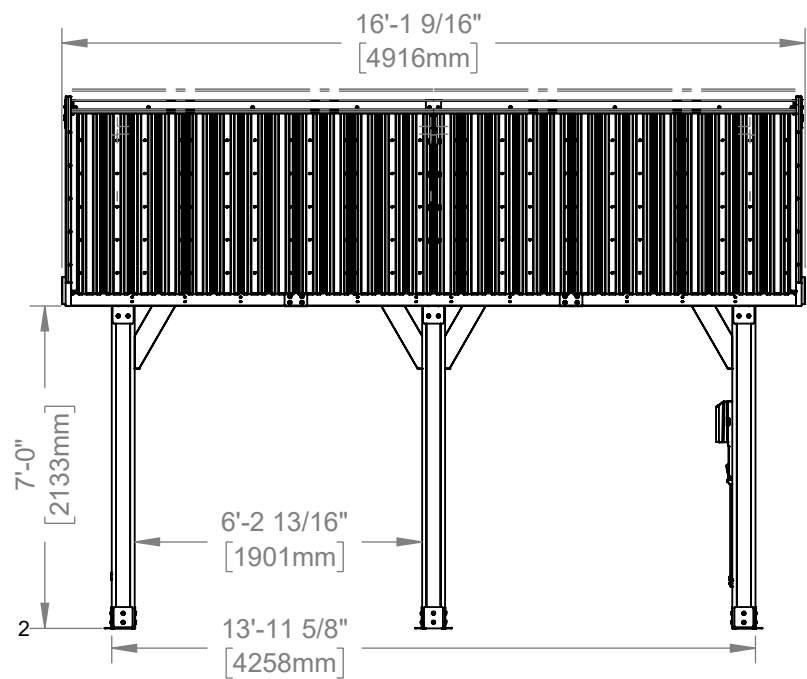
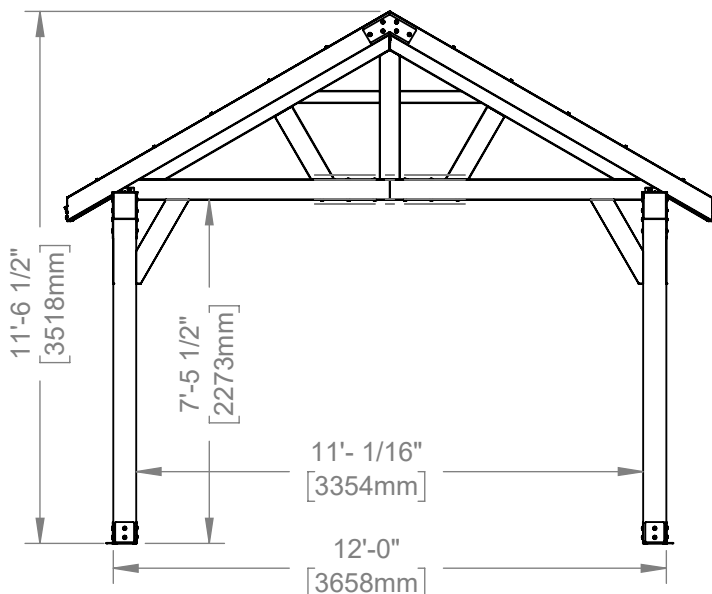
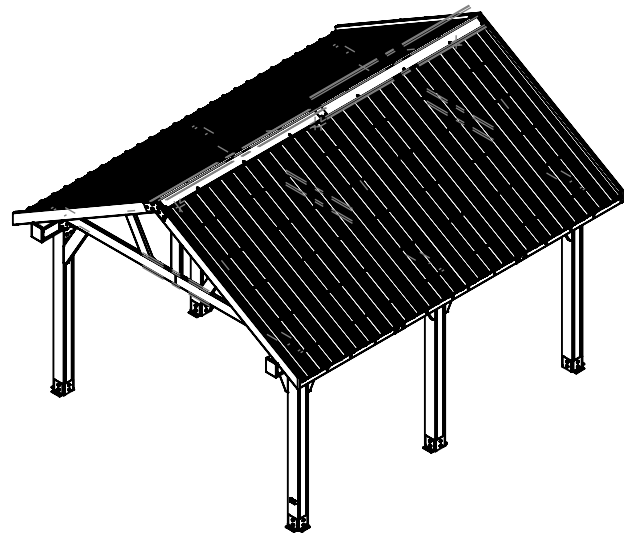
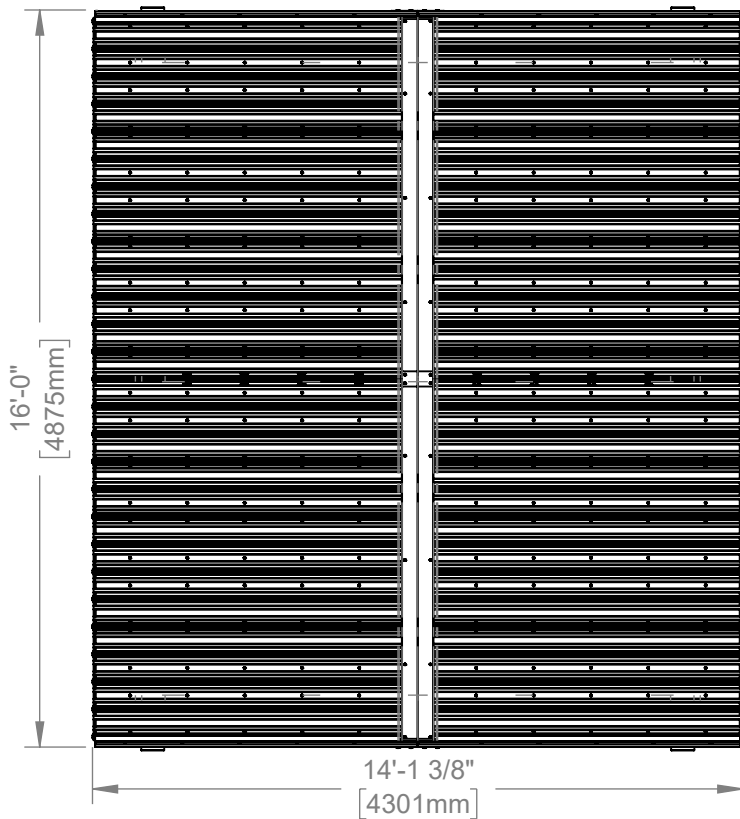
OWNER'S MANUAL - BASIC SETUP DIMENSIONS & ASSEMBLY NOTES

It is critically important that you start with square and level footings or concrete pad to attach your structure

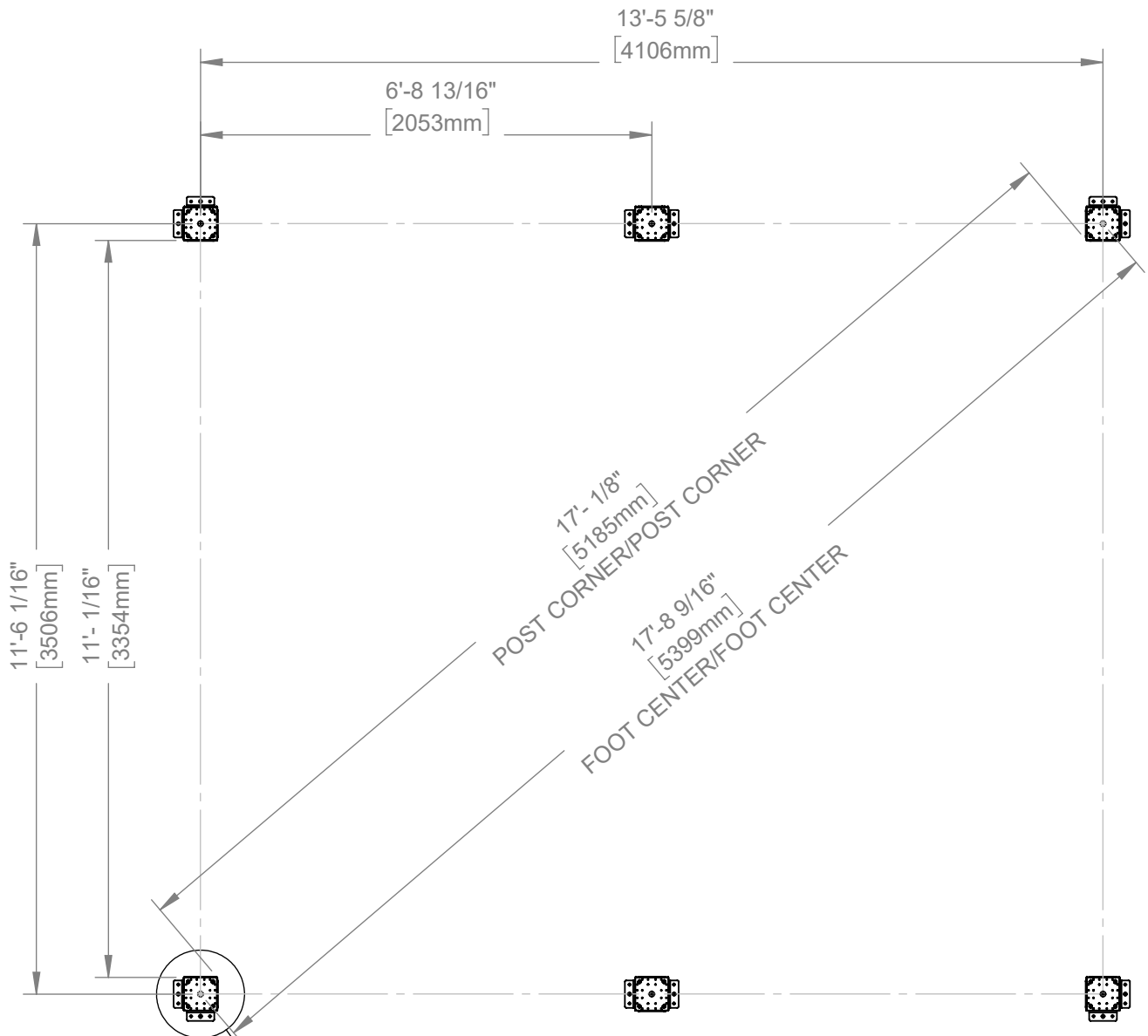
- Pay close attention to the items needed for each step. Make sure you are using the correct hardware for each step. Using incorrect hardware may result in improper assembly
- Remember to double check for underground utilities and overhead electrical lines

Post mounts are provided with your structure which allows you to permanently install your structure to a pre-existing or new wood or concrete surface. See Anchor Instructions for further details and recommendations.

- The hardware to attach the post mounts to the structure is included.
- The hardware to mount the structure permanently to a concrete surface is included.
- The hardware to mount the structure permanently to a wood deck is NOT included and will need to be purchased separately. You must ensure there is ample structural support under the deck before permanently attaching.

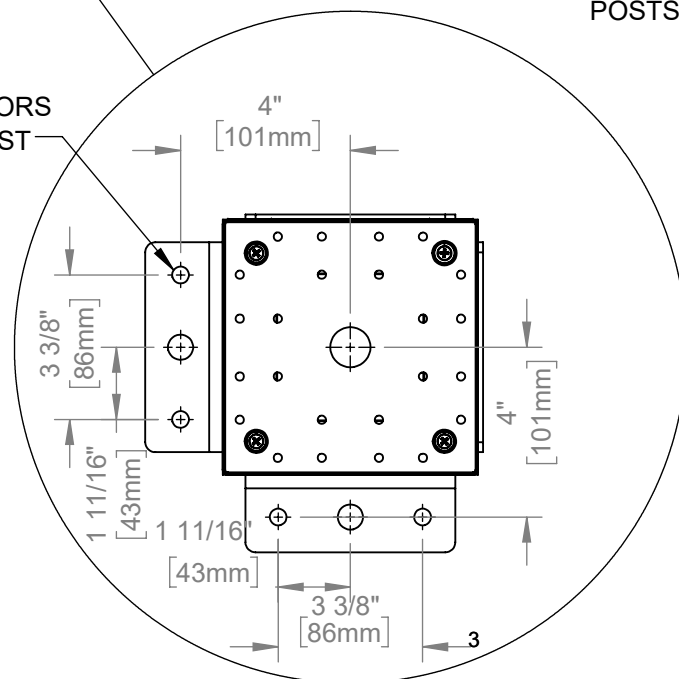


OWNER'S MANUAL - ANCHORING LAYOUT



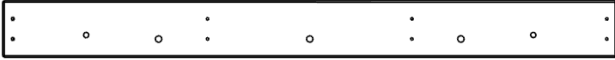
NOTE: DIMENSIONS ARE TO ANCHOR PLATES MOUNTED TO POSTS EXCEPT WHERE NOTED.

4 ANCHORS PER POST



OWNER'S MANUAL - PARTS IDENTIFICATIONS

WOOD COMPONENTS (NOT TO SCALE)



AD01 PEAK SUPPORT - W4L21900
(x2) 15/16"x4"x43 7/16" (24x102x1103)



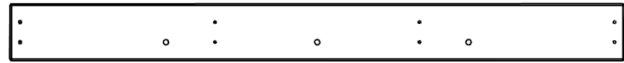
AD02 PEAK SUPPORT - W4L21903
(x2) 15/16"x4"x31 15/16" (24x102x812)



AD03 RIDGE SUPPORT - W4L22306
(x1) 15/16"x4"x81 9/16" (24x102x2072)



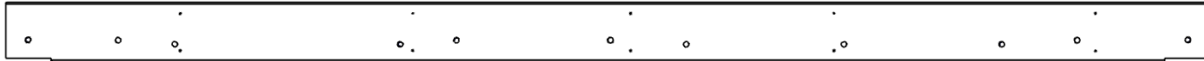
AD07 PEAK SUPPORT - W4L21975
(x2) 15/16"x4"x31 15/16" (24x102x812)



AD08 PEAK SUPPORT - W4L21902
(x2) 15/16"x4"x43 7/16" (24x102x1103)



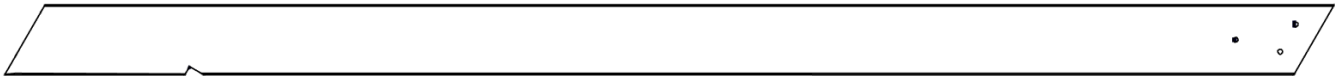
AD10 RIDGE SUPPORT - W4L21973
(x2) 15/16"x4"x81 9/16" (24x102x2072)



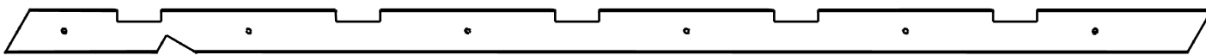
AD11 RIDGE SUPPORT - W4L21955
(x1) 15/16"x4"x81 9/16" (24x102x2072)



D01 FASCIA - W4L21164
(x2) 1 7/16"x5 1/4"x100" (36x134x2540)



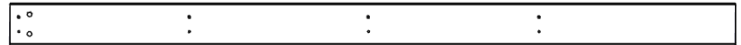
D02 FASCIA - W4L21175
(x2) 1 7/16"x5 1/4"x100" (36x134x2540)



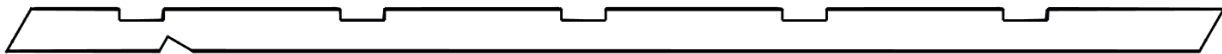
E04 RAFTER - W4L21176
(x8) 1 7/16"x3 3/8"x95 1/16" (36x86x2414)



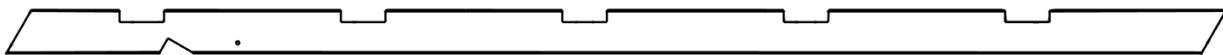
E05 TRIM BOARD W/ PRODUCT ID TAG - W2A04803
(x1) 1 1/2"x3 3/8"x58 9/16" (39x86x1488)



E06 TRIM BOARD - W4L21896
(x3) 7 5/16"x3 3/8"x58 9/16" (36x86x1488)



E07 RAFTER - W4L21561
(x12) 1 7/16"x3 3/8"x95 1/16" (36x86x2414)



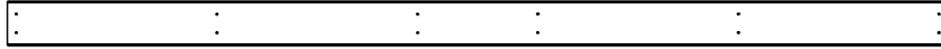
E08 RAFTER - W4L21799
(x8) 1 7/16"x3 3/8"x95 1/16" (36x86x2414)



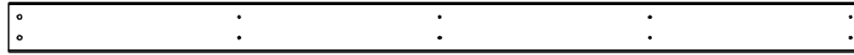
E10 TRIM BOARD - W4L21904
(x2) 1 9/16"x3 3/8"x71 5/8" (36x86x1820)

OWNER'S MANUAL - PARTS IDENTIFICATIONS

WOOD COMPONENTS (NOT TO SCALE)



H02 PURLIN - W4L21956
(x10) 15/16"x3 3/8"x71 9/16" (24x86x1818)



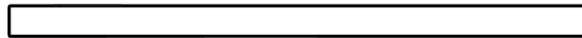
H03 PURLIN - W4L21898
(x20) 15/16"x3 3/8"x58 1/2" (24x86x1486)



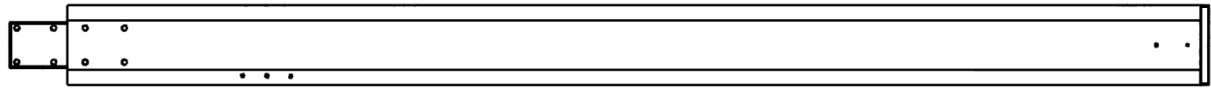
J02 RIDGE CAP STIFFENER - W4L21957
(x2) 15/16"x2 3/8"x62 3/4" (24x60x1595)



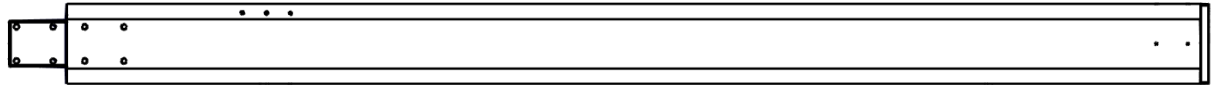
J03 RIDGE CAP STIFFENER - W4L21958
(x2) 15/16"x2 3/8"x82 5/8" (24x60x2100)



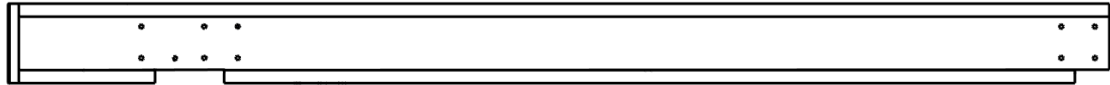
J04 RIDGE CAP STIFFENER - W4L21959
(x2) 15/16"x2 3/8"x42 7/8" (24x60x1090)



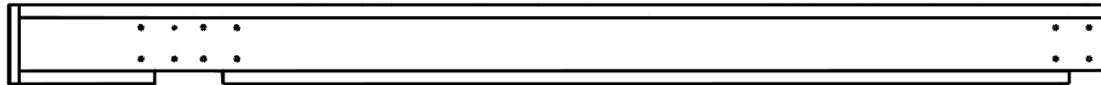
P01 POST - W2A04544
(x2) 6"x6"x89 3/8" (152x152x2270)



P02 POST - W2A04545
(x2) 6"x6"x89 3/8" (152x152x2270)



P03 BEAM - W2A04802
(x2) 6"x6 15/16"x96 3/4" (152x177x2458)



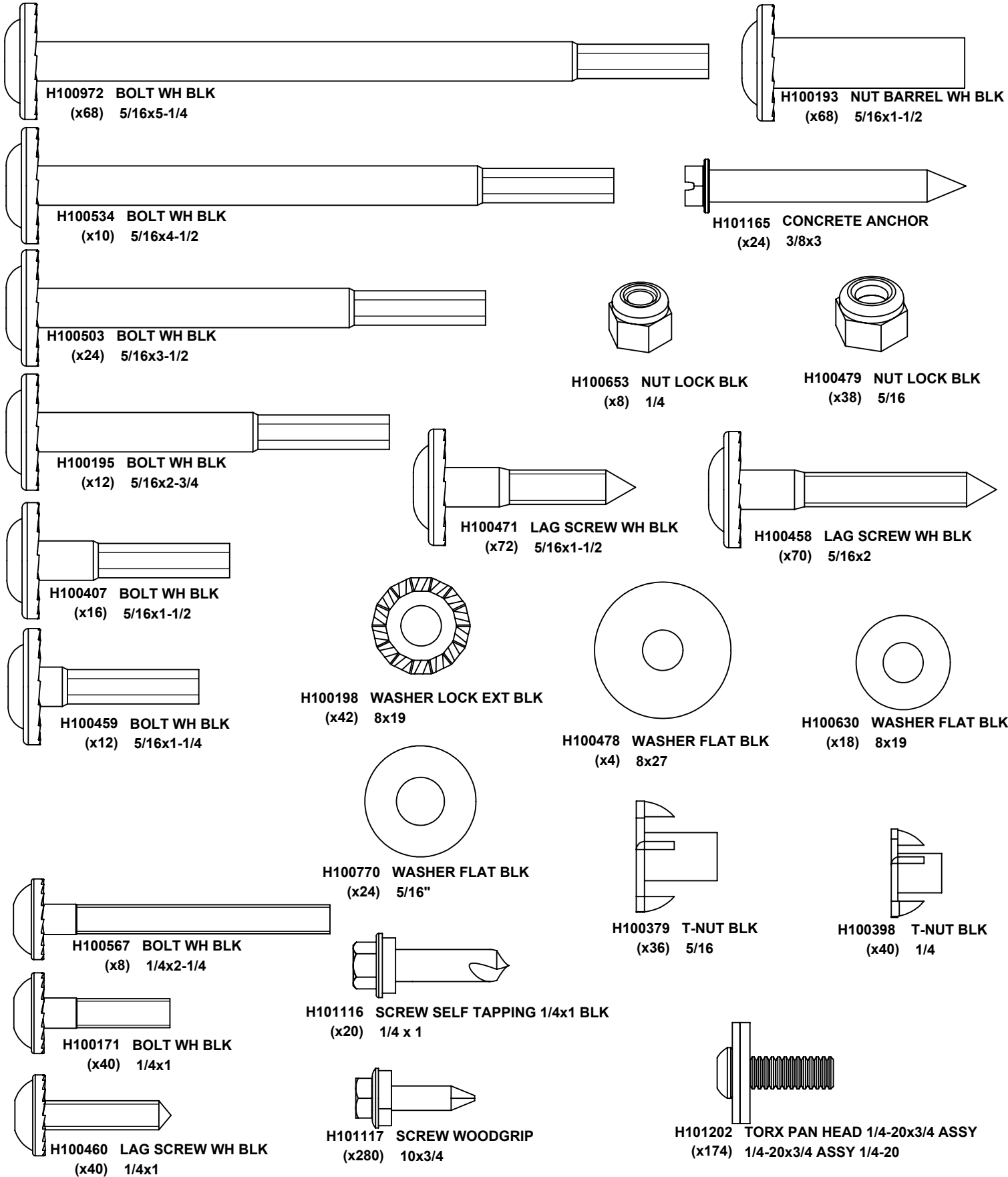
P04 BEAM - W2A04801
(x2) 6"x6 15/16"x96 3/4" (152x177x2458)



P05 POST - W2A04800
(x2) 6"x6"x89 3/8" (152x152x2270)

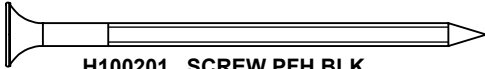
OWNER'S MANUAL - PARTS IDENTIFICATION

Hardware Components

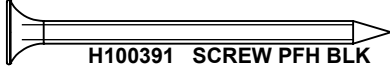


OWNER'S MANUAL - PARTS IDENTIFICATION

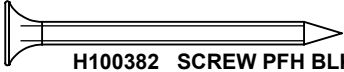
Hardware Components



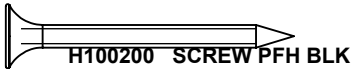
H100201 SCREW PFH BLK
(x56) 8x2-1/2



H100391 SCREW PFH BLK
(x344) 8x2



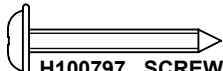
H100382 SCREW PFH BLK
(x20) 8x1-3/4



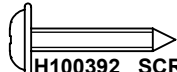
H100200 SCREW PFH BLK
(x24) 8x1-1/2



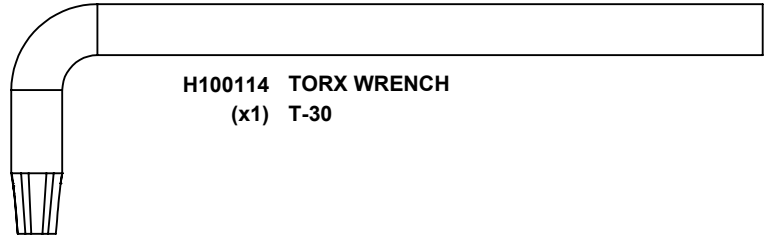
H100823 SCREW PWH BLK
(x24) 8x1-1/2



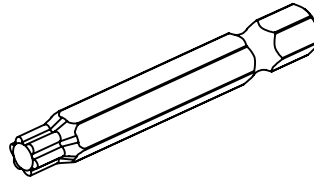
H100797 SCREW PWH BLK
(x16) 8x1



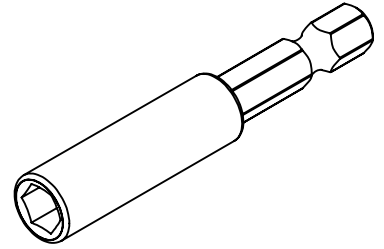
H100392 SCREW PWH BLK
(x24) 8x3/4



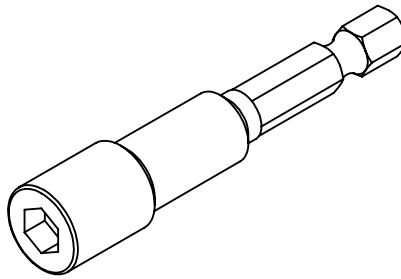
H100114 TORX WRENCH
(x1) T-30



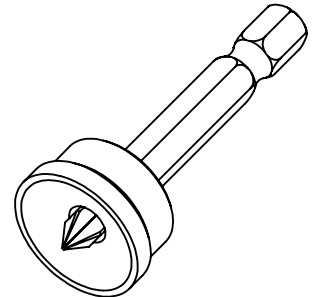
H100147 TORX BIT
(x1) T-30



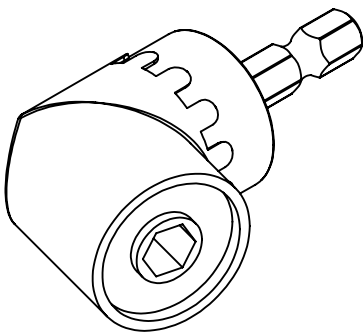
H101100 MAGNETIC DRIVER
(x1)



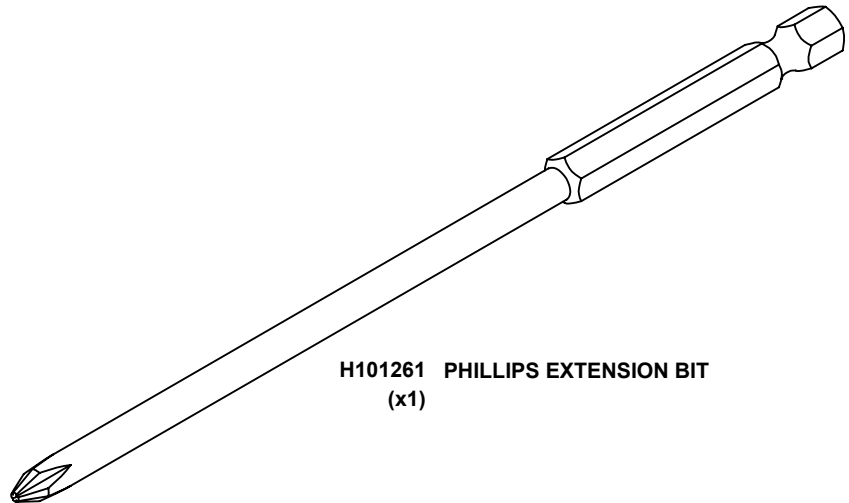
H101106 SOCKET DRIVER
(x1)



H100764 SCREW SETTER
(x1)



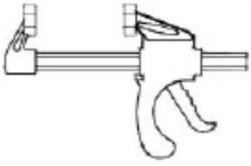
H101114 RIGHT ANGLE DRILL ADAPTER
(x1)



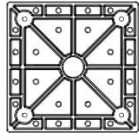
H101261 PHILLIPS EXTENSION BIT
(x1)

OWNER'S MANUAL - PARTS IDENTIFICATIONS

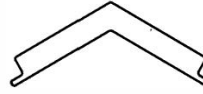
ACCESSORY COMPONENTS (NOT TO SCALE)



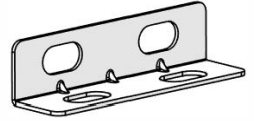
A6P00460 6" QUICK RELEASE BAR CLAMP (x2)



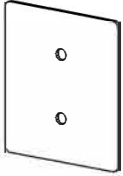
A6P00308 6x6 POST FOOT (x6)



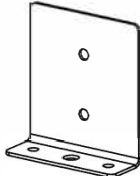
A6P00693 RIDGE CAP PROTECTOR (x2)



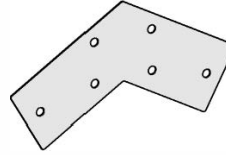
A4M04324 GABLE BEAM BRACE (x12)



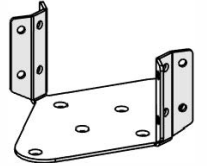
A4M00978 POST PLATE (x12)



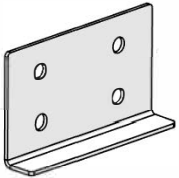
A4M00977 POST ANCHORING PLATE (x12)



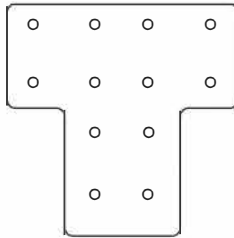
A4M02086 GABLE BRACKET (x2)



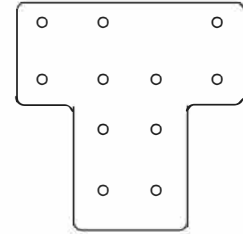
A4M02501 FAN MOUNT BRACKET (x2)



A4M01560 OUTSIDE TIE BRACKET (x4)



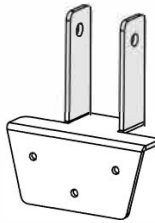
A4M04104 POST SUPPORT BRACKET (x8)



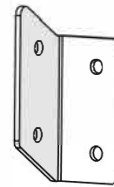
A4M04906 POST SUPPORT BRACKET (x4)



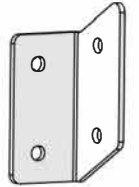
9205413 ELECTRICAL ENCLOSURE (x1)



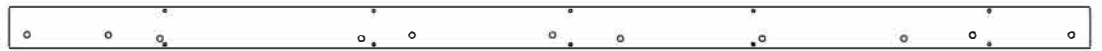
A4M05398 RAFTER CLIP (x8)



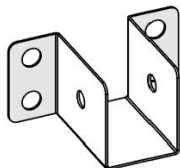
A4M04907 FASCIA BRACKET (x2)



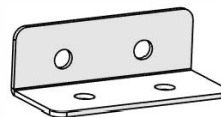
A4M04908 FASCIA BRACKET (x2)



A4M05613 RIDGE SUPPORT BRACE (x2)



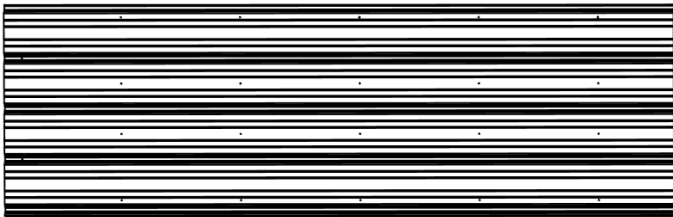
A4M04905 RIDGE CLIP (x4)



A4M04154 PURLIN SUPPORT BRACKET (x20)

OWNER'S MANUAL - PARTS IDENTIFICATIONS

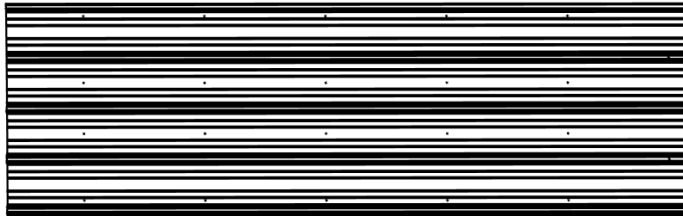
METAL COMPONENTS (NOT TO SCALE)



A4M04160 29GA STEEL SHEETING
(x10)



A4M04903 29GA STEEL SHEETING
(x1)



A4M05349 29GA STEEL SHEETING
(x1)



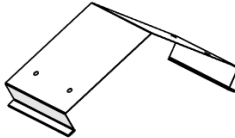
A4M05610 29GA STEEL SHEETING
(x1)



A4M05611 29GA STEEL SHEETING
(x1)



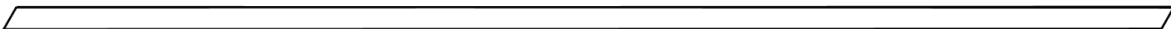
A4M05612 RIDGE CAP
(x2)



A4M04328 RIDGE CAP SPLICE
(x1)



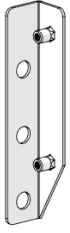
A4M04325 ROOF END TRIM
(x2)



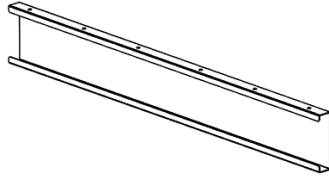
A4M04326 ROOF END TRIM
(x2)

OWNER'S MANUAL - PARTS IDENTIFICATIONS

METAL COMPONENTS (NOT TO SCALE)



C01 ANGLE BRACE BRACKET - A4M04148
(x11) 1 1/16"x1 1/4"x6" (27x31x152)



J1 SPLICE BRACKET - A4M02230
(x3) 1 5/16"x5 3/16"x39 3/8" (33.2x131.2x1000)



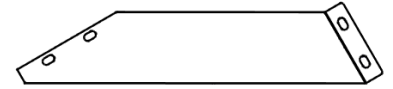
C02 ANGLE BRACE BRACKET - A4M04153
(x11) 1 1/16"x1 1/4"x6" (27x31x152)



C06 ANGLE BRACE - A4M04321
(x4) 1 7/16"x5 5/16"x20 1/16" (36x135x509)



C05 ANGLE BRACE - A4M04320
(x4) 1 7/16"x5 5/16"x20 1/16" (36x135x509)



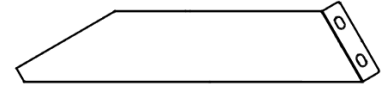
C04 ANGLE BRACE - A4M04150
(x3) 1 1/2"x5 15/16"x27 1/16" (38x151x687)



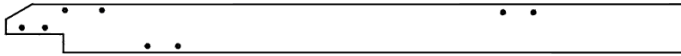
B08 GABLE SUPPORT - A4M04318
(x3) 1 1/2"x5 15/16"x24 5/8" (38x152x625)



B09 GABLE SUPPORT - A4M04319
(x3) 1 1/2"x5 15/16"x24 5/8" (38x152x625)



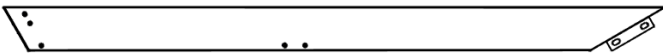
C03 ANGLE BRACE - A4M04149
(x3) 1 1/2"x5 15/16"x27 1/16" (38x151x687)



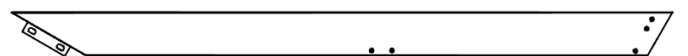
B01 GABLE BEAM - A4M04151
(x3) 1 9/16"x5 1/4"x1826 (39x134x1827)



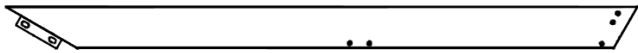
B02 GABLE BEAM - A4M04152
(x3) 1 9/16"x5 1/4"x71 15/16" (39x134x1827)



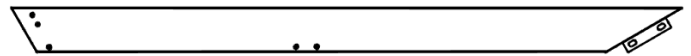
B03 GABLE BEAM - A4M04157
(x2) 1 1/2"x5 1/4"x79 1/2" (38x134x2019)



B04 GABLE BEAM - A4M04158
(x2) 1 1/2"x5 1/4"x79 1/2" (38x134x2019)



B05 GABLE BEAM - A4M05403
(x1) 1 1/2"x5 1/4"x79 1/2" (38x134x2019)



B06 GABLE BEAM - A4M05402
(x1) 1 1/2"x5 1/4"x79 1/2" (38x134x2019)



B07 VERTICAL GABLE SUPPORT - A4M04317
(x3) 1 1/2"x9 1/16"x34 11/16" (38x230x882)

PRE-ASSEMBLY STEP 1 - SORTING WOOD PARTS

It is critical for ease of assembly that you take the time to sort and organize the wood and hardware.

WOOD PARTS:

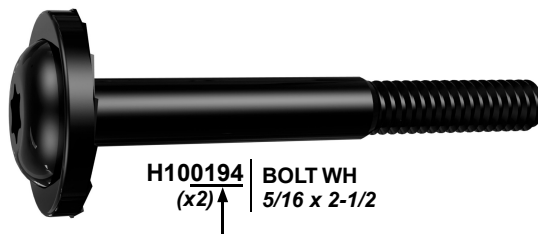
- Organize wood parts by the three-digit, alpha-numeric number stamped on each board (ex. P01).
- If there are multiple boards with the same stamped number, stack those pieces together.
- Stamps can be found on the flat surface of the boards or on the end of the boards.
- Allow yourself plenty of room - the wood pieces can take up a significant amount of space.

NOTE: CARTONS ARE NOT ORGANIZED BY BOARD NUMBER.



HARDWARE PARTS:

- We recommend that you have a separate table to organize the hardware.
- Hardware bags are printed with a seven-digit, alpha-numeric part number.
- You can organize your hardware by part number or group by hardware type (i.e. bolts, nuts, etc.).
- During assembly you only need to reference the last four digits of the number.



PRE-ASSEMBLY STEP 2 - TOOLS REQUIRED



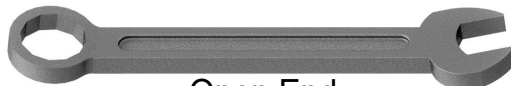
Cordless Drill
or Electric Drill



Drill
Attachments:
Phillips Head



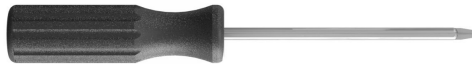
1/8", 3/16", 3/8" &
7/16" Drill Bits



Open End
Wrenches 1/2" &
9/16"



3/8" Drive Ratchet, 1/2" &
7/16" STD Sockets 1/2" & 7/16"
Deep Sockets



Phillips Screw Driver



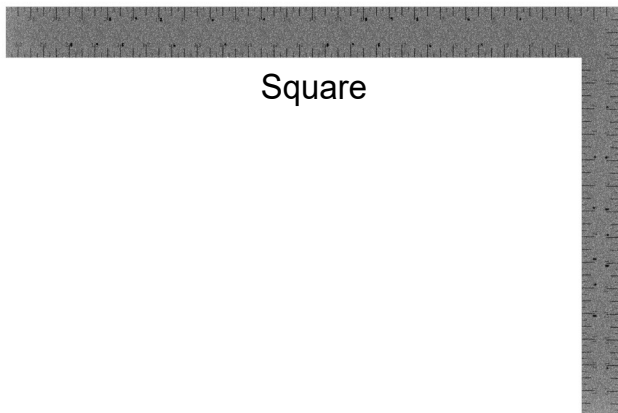
Claw Hammer



Rubber Mallet
- Optional



Tape Measure



Square



Level 24"




8 FOOT LADDER REQUIRED

PRE-ASSEMBLY STEP 3 - CHOOSE YOUR ASSEMBLY METHOD

There are several types of assembly instructions available to you.

1. Printed Assembly Manual included with your set
2. BILT APP - 3D interactive instructions
3. Combination of the Printed Manual and BILT APP (Note: Step numbers can differ between the two methods)



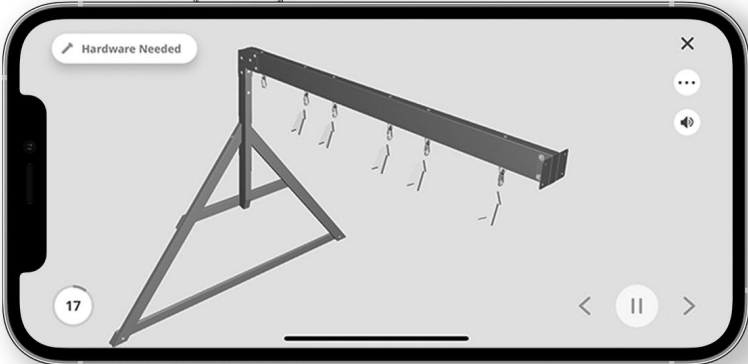
BILT.

Scan for easy
3D instructions

Download the BILT app
before you begin

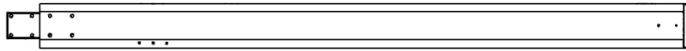
Download on the
App Store

GET IT ON
Google Play

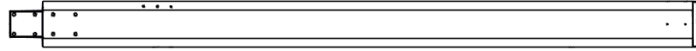


The image shows a smartphone screen displaying a 3D assembly instruction. The screen features a 3D model of a metal frame structure. At the top left, there is a button labeled "Hardware Needed". At the bottom left, there is a circular icon with the number "17". At the bottom right, there are navigation icons: a back arrow, a pause button, and a forward arrow. The entire content is enclosed in a grey border.

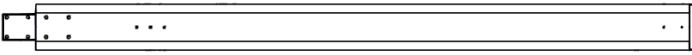
STEP 1 - POST ASSEMBLY



P01 POST - W2A04544
(x2) 6"X6"X89 3/8" (152x152x2270)

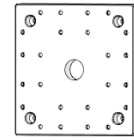


P02 POST - W2A04545
(x2) 6"X6"X89 3/8" (152x152x2270)



P05 POST - W2A04800
(x2) 6"X6"X89 3/8" (152x152x2270)

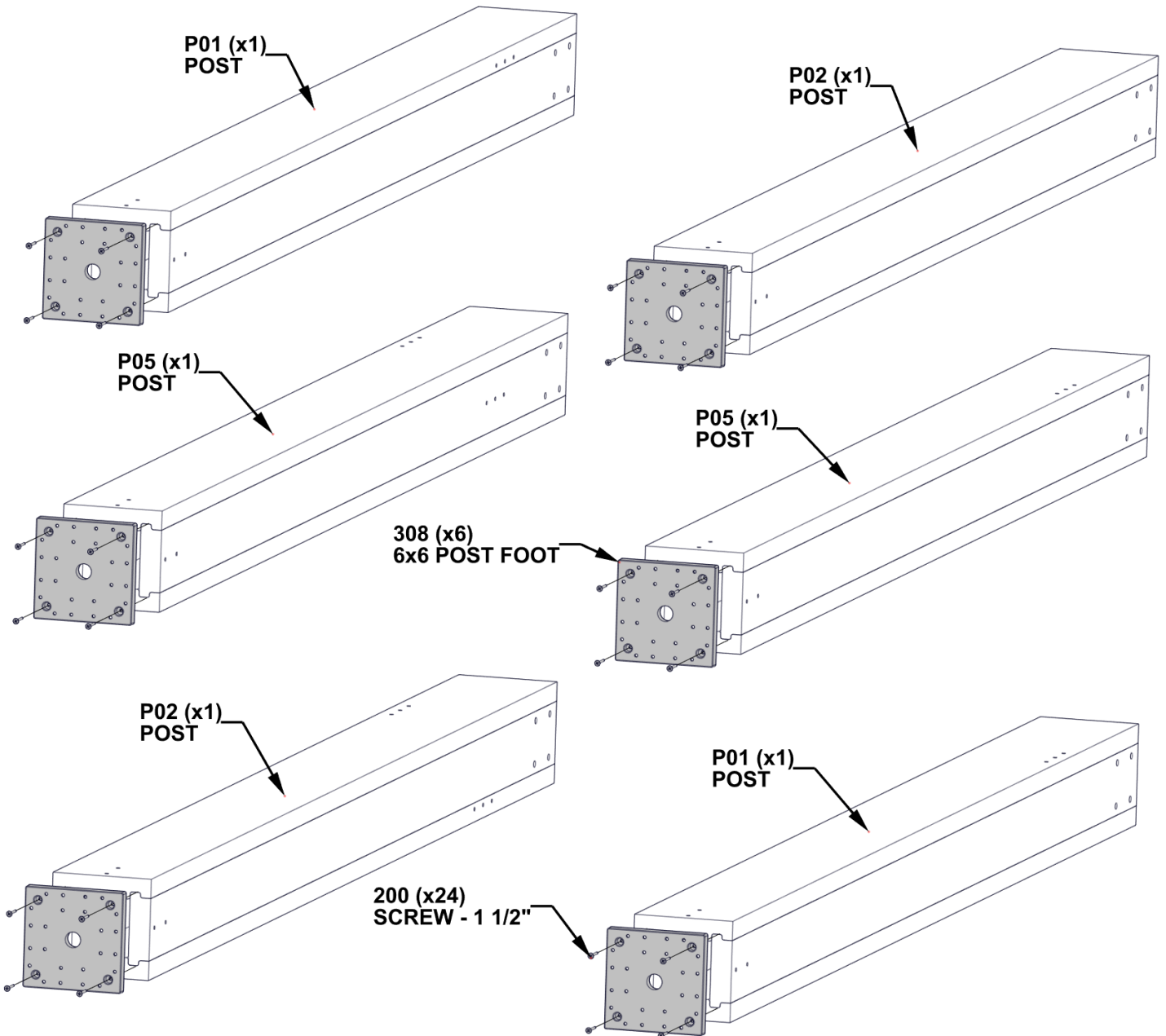
QTY	PART NUMBER	DESCRIPTION
24	H100200	SCREW PFH 8x1 1/2 BLK



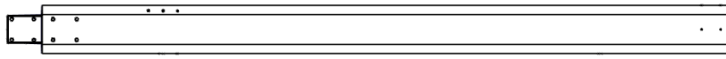
A6P00308 6x6 POST FOOT
(x6)

- FOR EASE OF ASSEMBLY, WE RECOMMEND USING SAWHORSES FOR STEPS 1-7.

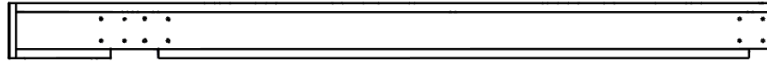
CENTER POST FOOT AND DRILL 1/8" [3mm] PILOT HOLES FOR THE ATTACHMENT OF HARDWARE



STEP 2 - BEAM ASSEMBLY

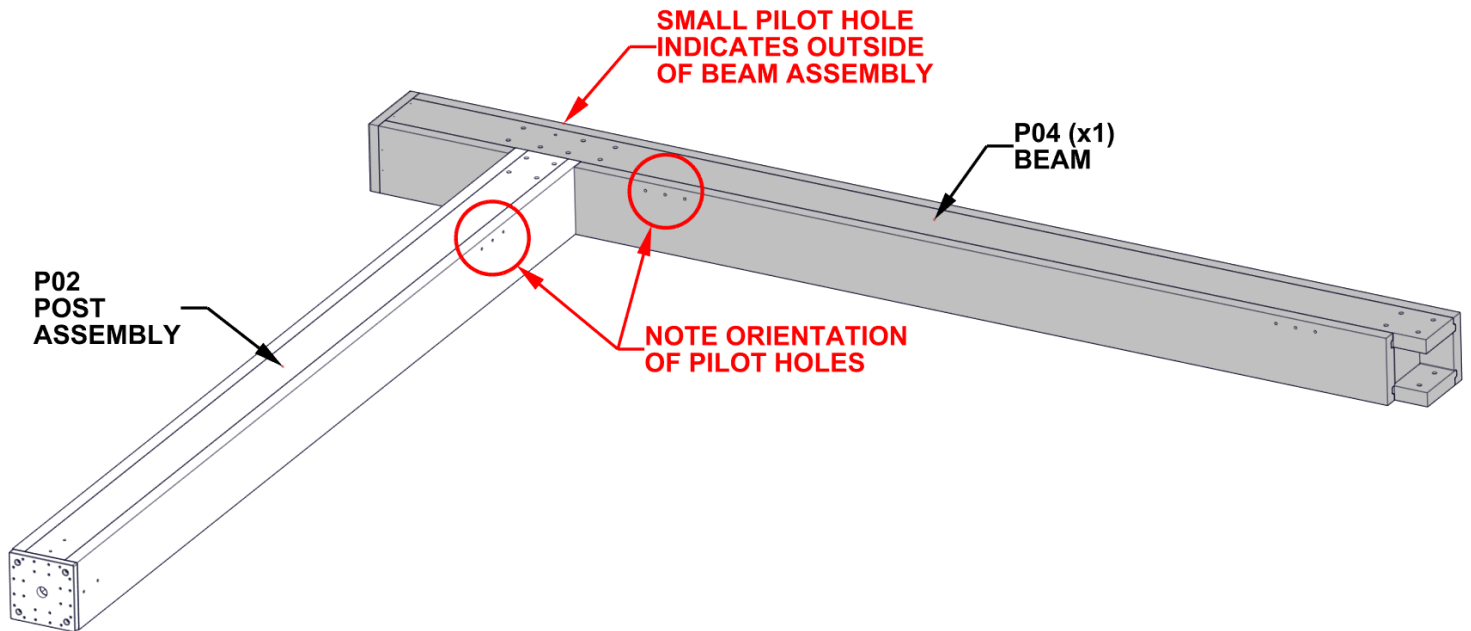


P02 POST ASSEMBLY



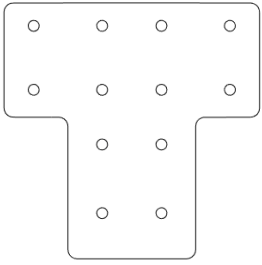
P04 BEAM - W2A04801
(x1) 6"x6 15/16"x96 3/4" (152x177x2458)

- SLIDE P02 POST INTO P04 BEAM, RUBBER MALLET MAY NEED TO BE USED TO TAP PARTS IN PLACE.
- PILOT HOLES CIRCLED IN RED INDICATE OUTSIDE BEAM ASSEMBLY

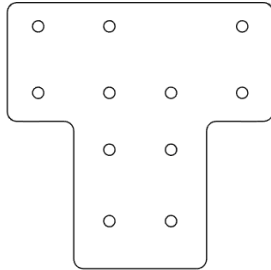


STEP 3 - BEAM ASSEMBLY

QTY	PART NUMBER	DESCRIPTION
11	H100972	BOLT WH 5/16x5 1/4 BLK
1	H100458	LAG SCREW WH 5/16x2 BLK
11	H100193	NUT BARREL WH 5/16 X 1 1/2 BLK

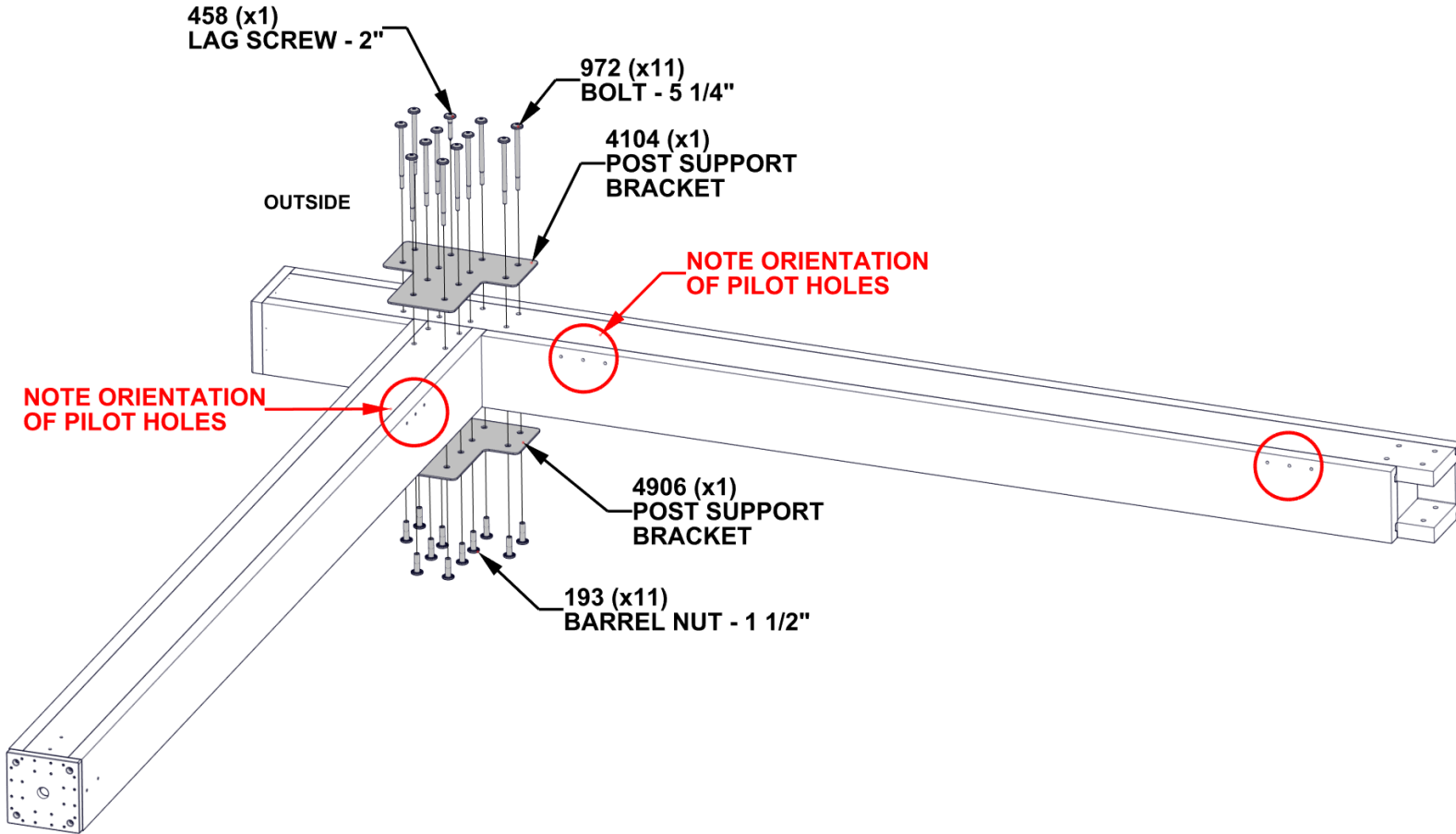


A4M04104 POST SUPPORT BRACKET (x1)

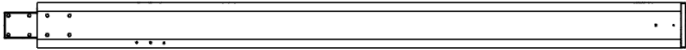


A4M04906 POST SUPPORT BRACKET (x1)

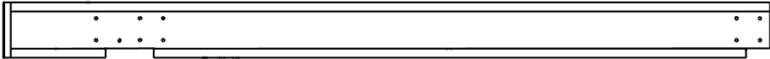
- A4M04104 POST SUPPORT BRACKET WILL BE MOUNTED ON THE OUTSIDE OF THE ASSEMBLY.
- H100458 LAG SCREW WILL BE FASTENED IN SMALL PILOT HOLE NOTED IN PREVIOUS STEP.
- IF HOLES DO NOT ALIGN, USE A 7/16" [10mm] DRILL BIT AND THE METAL BRACKET AS A GUIDE TO DRILL THROUGH THE BOARDS.



STEP 4 - BEAM ASSEMBLY

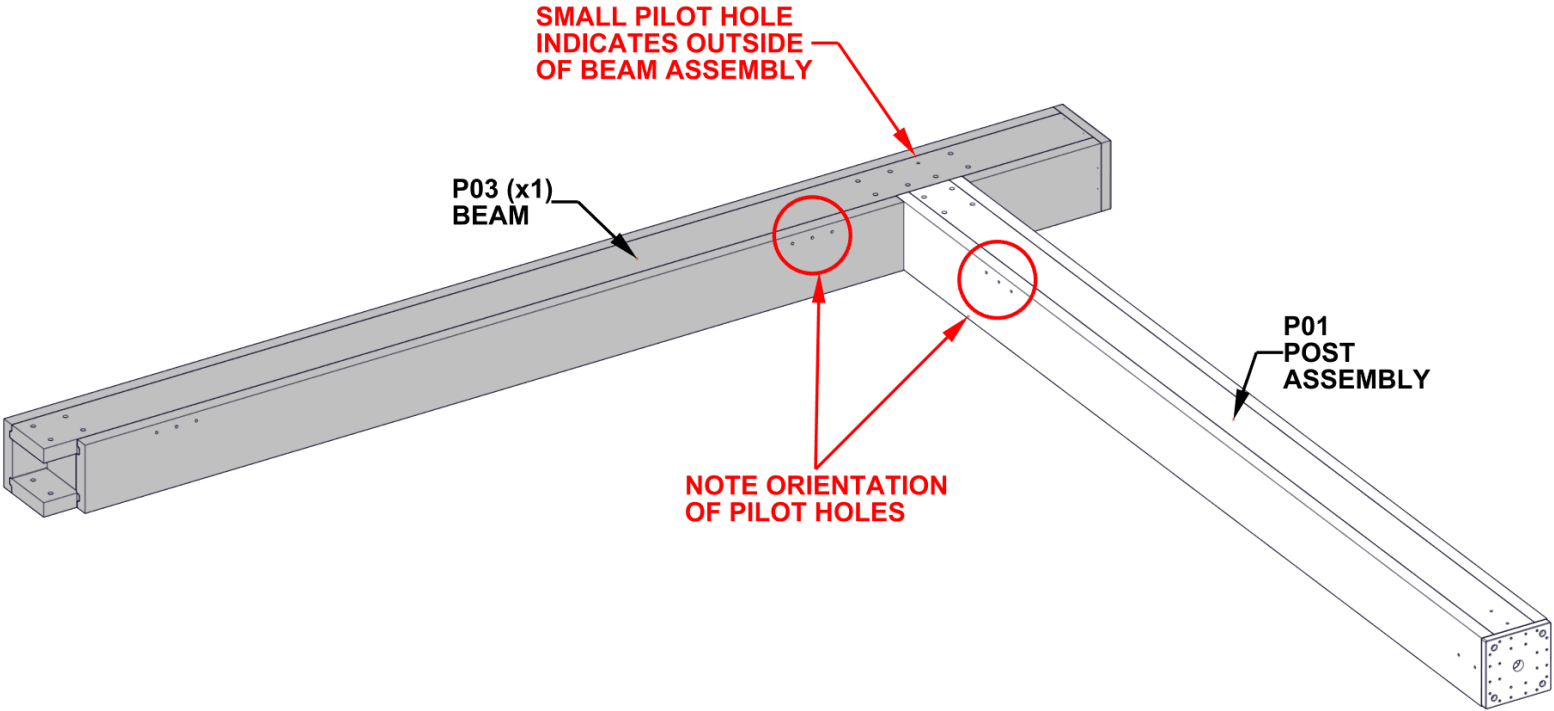


P01 POST ASSEMBLY



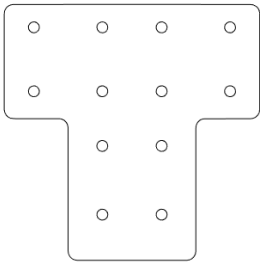
P03 BEAM - W2A04802
(x1) 6"x6 15/16"x96 3/4" (152x177x2458)

- SLIDE P01 POST INTO P03 BEAM, RUBBER MALLET MAY NEED TO BE USED TO TAP PARTS IN PLACE.

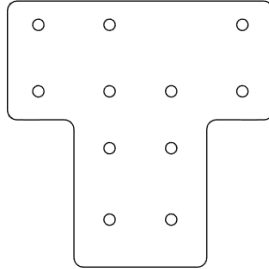


STEP 5 - BEAM ASSEMBLY

QTY	PART NUMBER	DESCRIPTION
11	H100972	BOLT WH 5/16x5 1/4 BLK
1	H100458	LAG SCREW WH 5/16x2 BLK
11	H100193	NUT BARREL WH 5/16 X 1 1/2 BLK

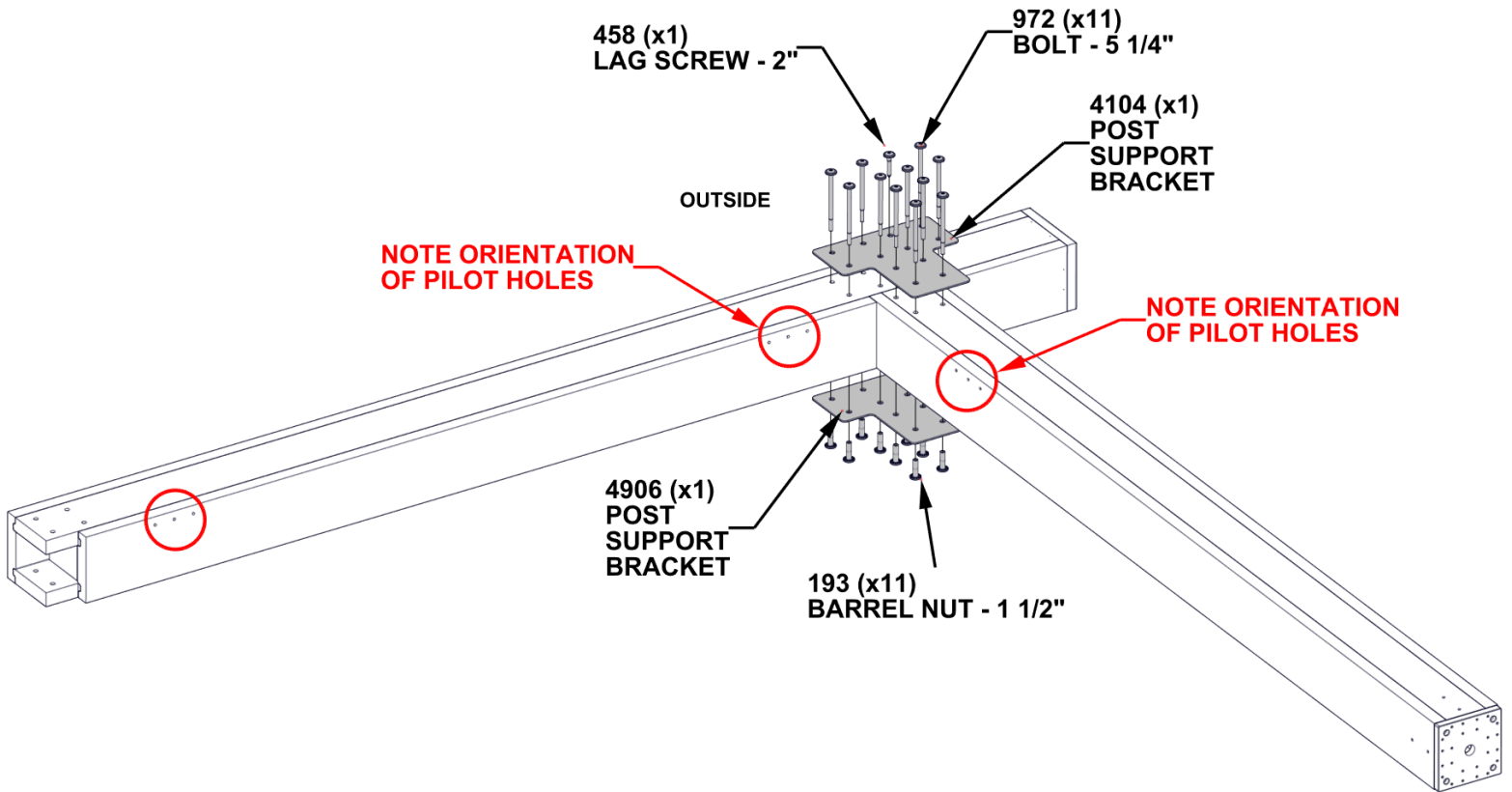


A4M04104 POST SUPPORT BRACKET (x1)



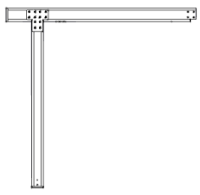
A4M04906 POST SUPPORT BRACKET (x1)

- A4M04104 POST SUPPORT BRACKET WILL BE MOUNTED ON THE OUTSIDE OF THE ASSEMBLY.
- H100458 LAG SCREW WILL BE FASTENED IN SMALL PILOT HOLE NOTED IN PREVIOUS STEP.
- IF HOLES DO NOT ALIGN, USE A 7/16" [10mm] DRILL BIT AND THE METAL BRACKET AS A GUIDE TO DRILL THROUGH THE BOARDS.

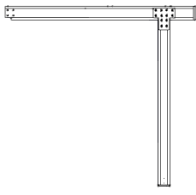


STEP 6 - BEAM ASSEMBLY

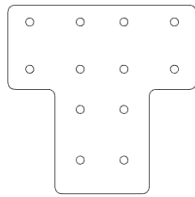
QTY	PART NUMBER	DESCRIPTION
4	H100972	BOLT WH 5/16x5 1/4 BLK
4	H100193	NUT BARREL WH 5/16 X 1 1/2 BLK



BEAM ASSEMBLY FROM STEP 3



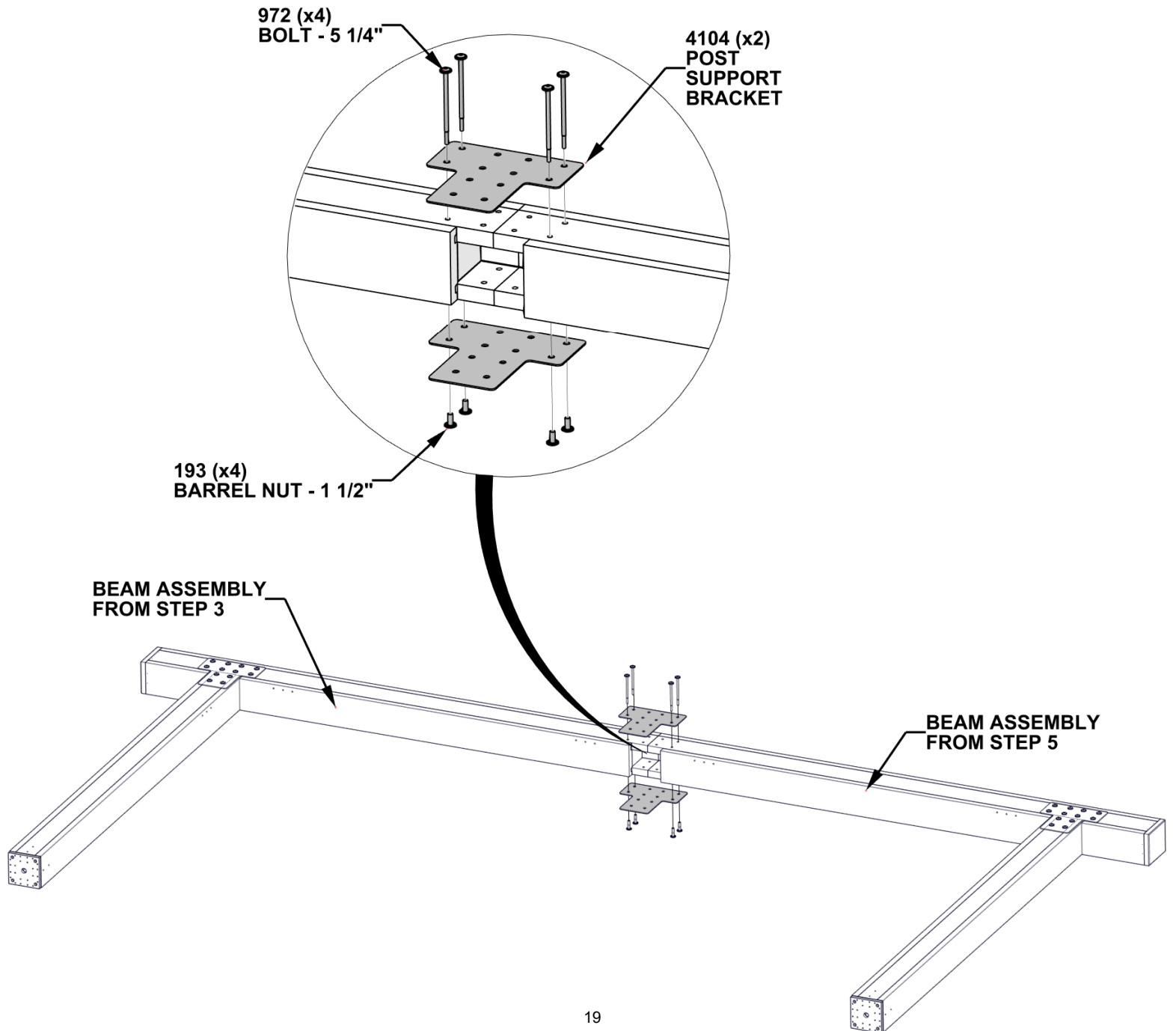
BEAM ASSEMBLY FROM STEP 5



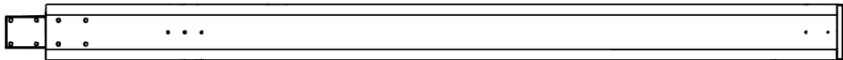
A4M04104 POST SUPPORT BRACKET (x2)

- HAND TIGHTEN ONLY.

- IF HOLES DO NOT ALIGN, USE A 7/16" [10mm] DRILL BIT AND THE METAL BRACKET AS A GUIDE TO DRILL THROUGH THE BOARDS.

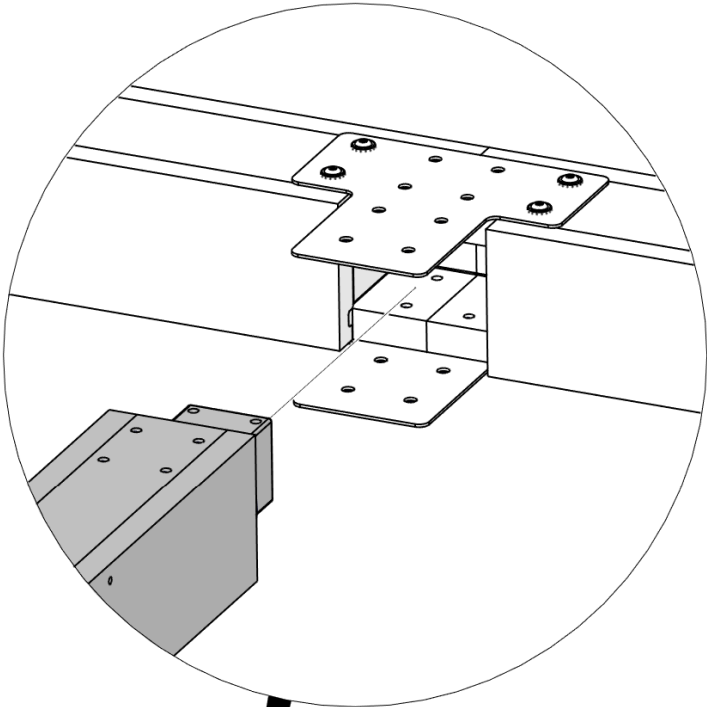


STEP 7 - BEAM ASSEMBLY

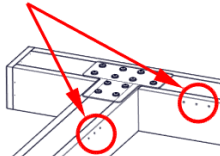


P05 POST - W2A04800
(x1) 6"X6"X89 3/8" (152x152x2270)

- SLIDE P05 POST INTO BEAM ASSEMBLY, RUBBER Mallet MAY NEED TO BE USED TO TAP PARTS IN PLACE.



NOTE ORIENTATION OF PILOT HOLES

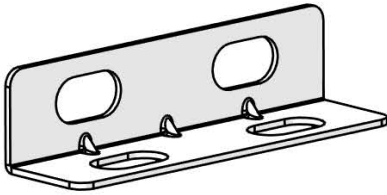


P05 (x1)
POST

NOTE ORIENTATION OF PILOT HOLES

STEP 8 - BEAM ASSEMBLY

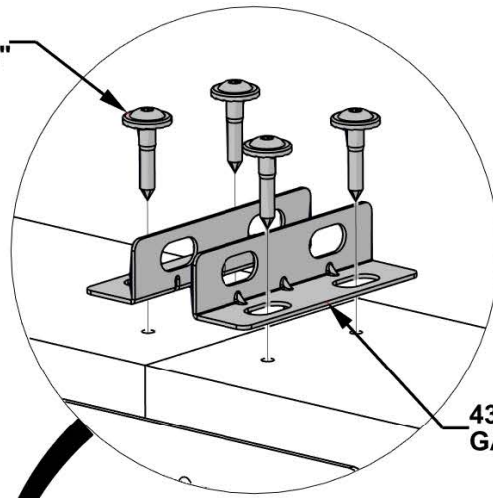
QTY	PART NUMBER	DESCRIPTION
12	H100471	LAG SCREW WH 5/16x1 1/2 BLK



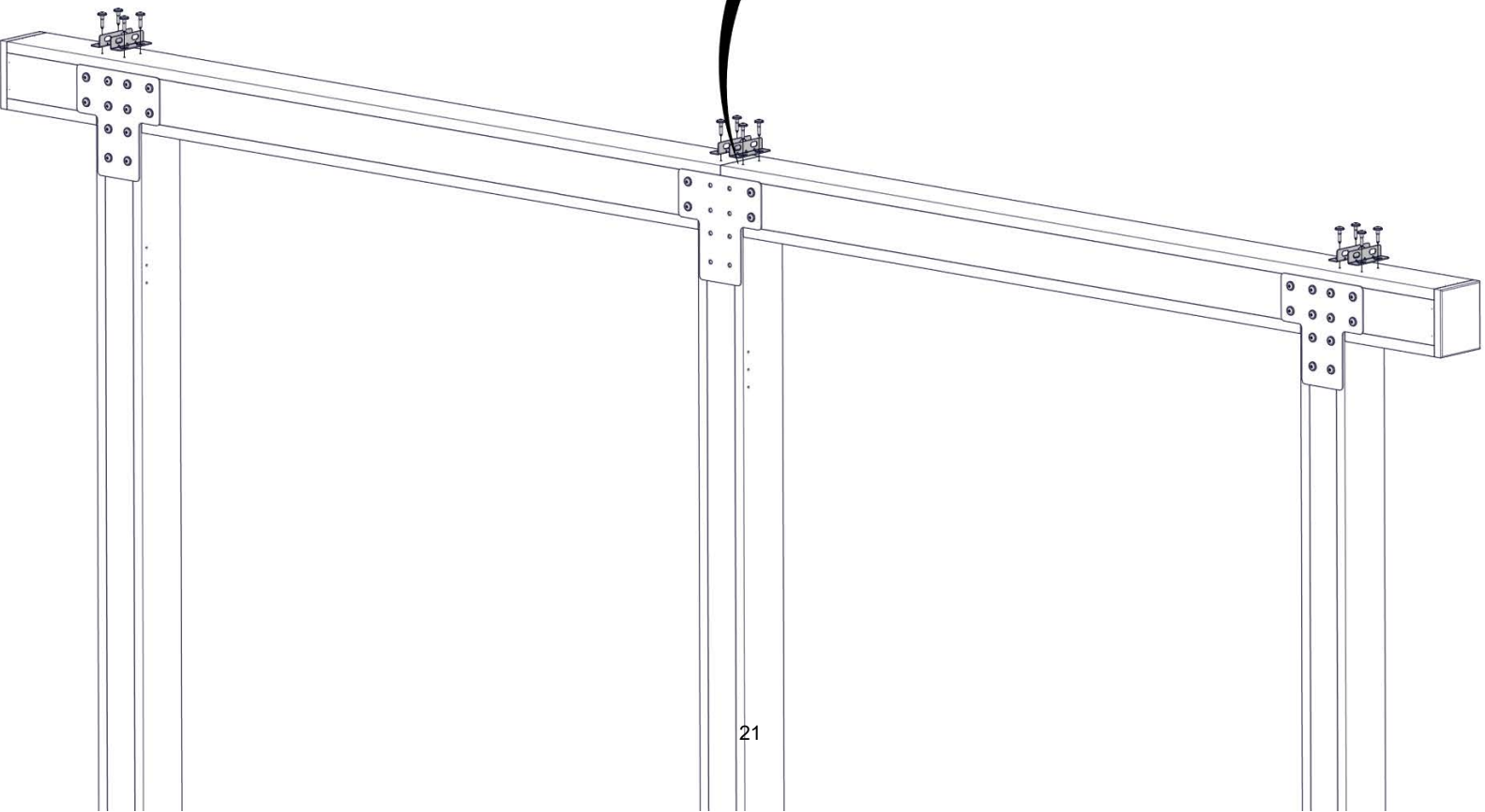
A4M04324 GABLE BEAM BRACE
(x6)

- ALIGN GABLE BEAM BRACE WITH PILOT HOLES LOCATED ON TOP OF BEAM ASSEMBLY.

471 (x12)
LAG SCREW - 1 1/2"



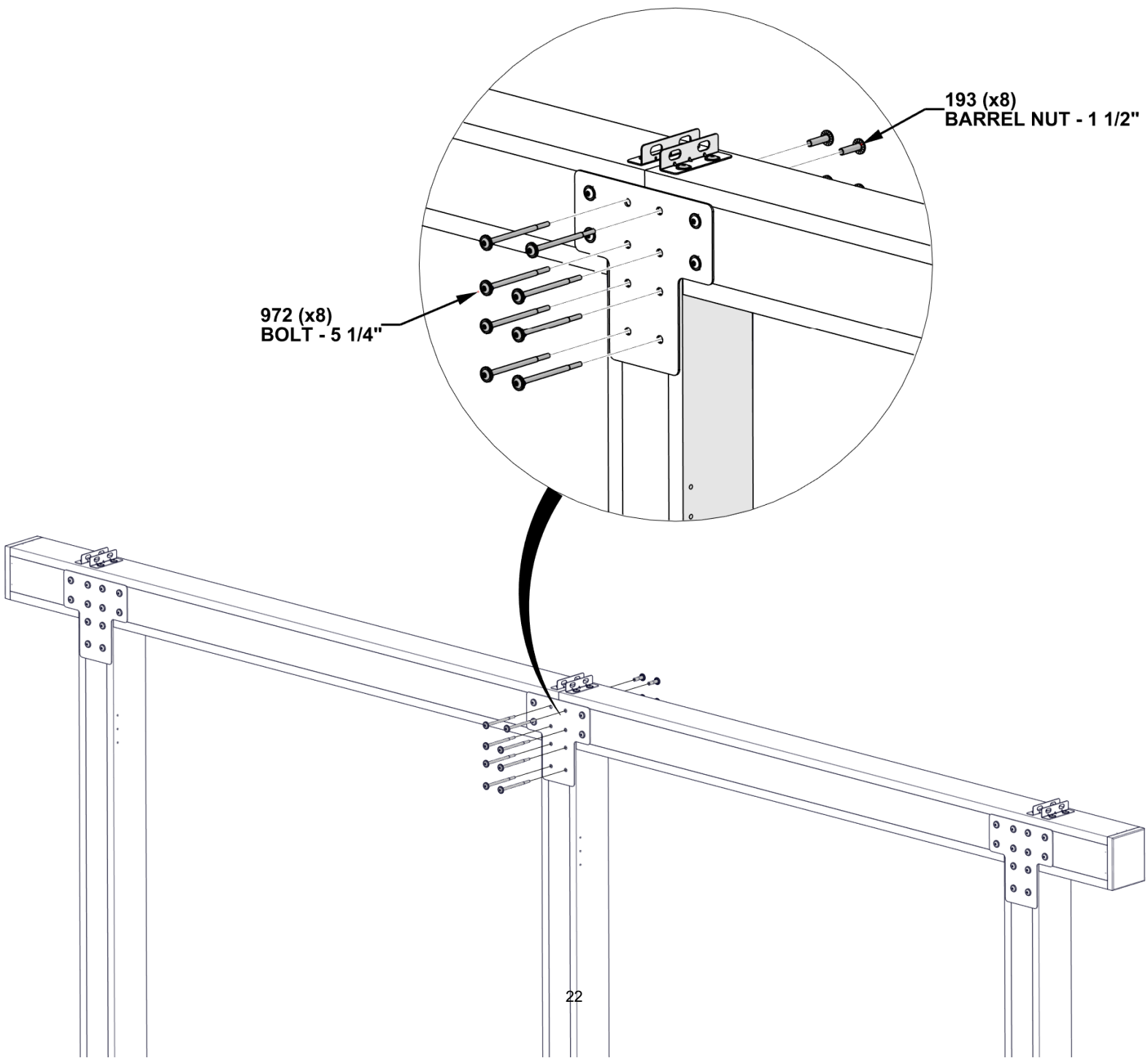
4324 (x6)
GABLE BEAM BRACE



STEP 9 - BEAM ASSEMBLY

QTY	PART NUMBER	DESCRIPTION
8	H100972	BOLT WH 5/16x5 1/4 BLK
8	H100193	NUT BARREL WH 5/16 X 1 1/2 BLK

- **HAND TIGHTEN ONLY. AFTER ALL HARDWARE HAS BEEN INSTALLED, FULLY TIGHTEN ALL HARDWARE.**
- STAND BEAM ASSEMBLY IN THE UPRIGHT POSITION AND ATTACH REMAINING HARDWARE AS SHOWN.
- IF HOLES DO NOT ALIGN, USE A 7/16" [10mm] DRILL BIT AND THE METAL BRACKET AS A GUIDE TO DRILL THROUGH THE BOARDS.
- AFTER HARDWARE HAS BEEN ATTACHED SET ASIDE FOR FUTURE USE.



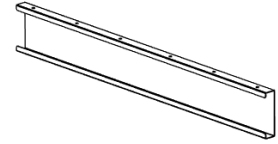
**REPEAT POST AND BEAM ASSEMBLY
STEPS 2 THROUGH 9**

STEP 10 - GABLE ASSEMBLY

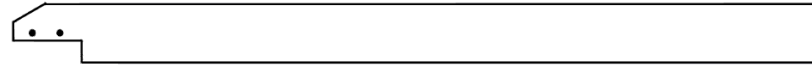
QTY	PART NUMBER	DESCRIPTION
15	H101202	TORX PAN HEAD 1/4-20x3/4 ASSY



B01 GABLE BEAM - A4M04151
(x2) 1 9/16"x5 1/4"x1826 (39x134x1827)

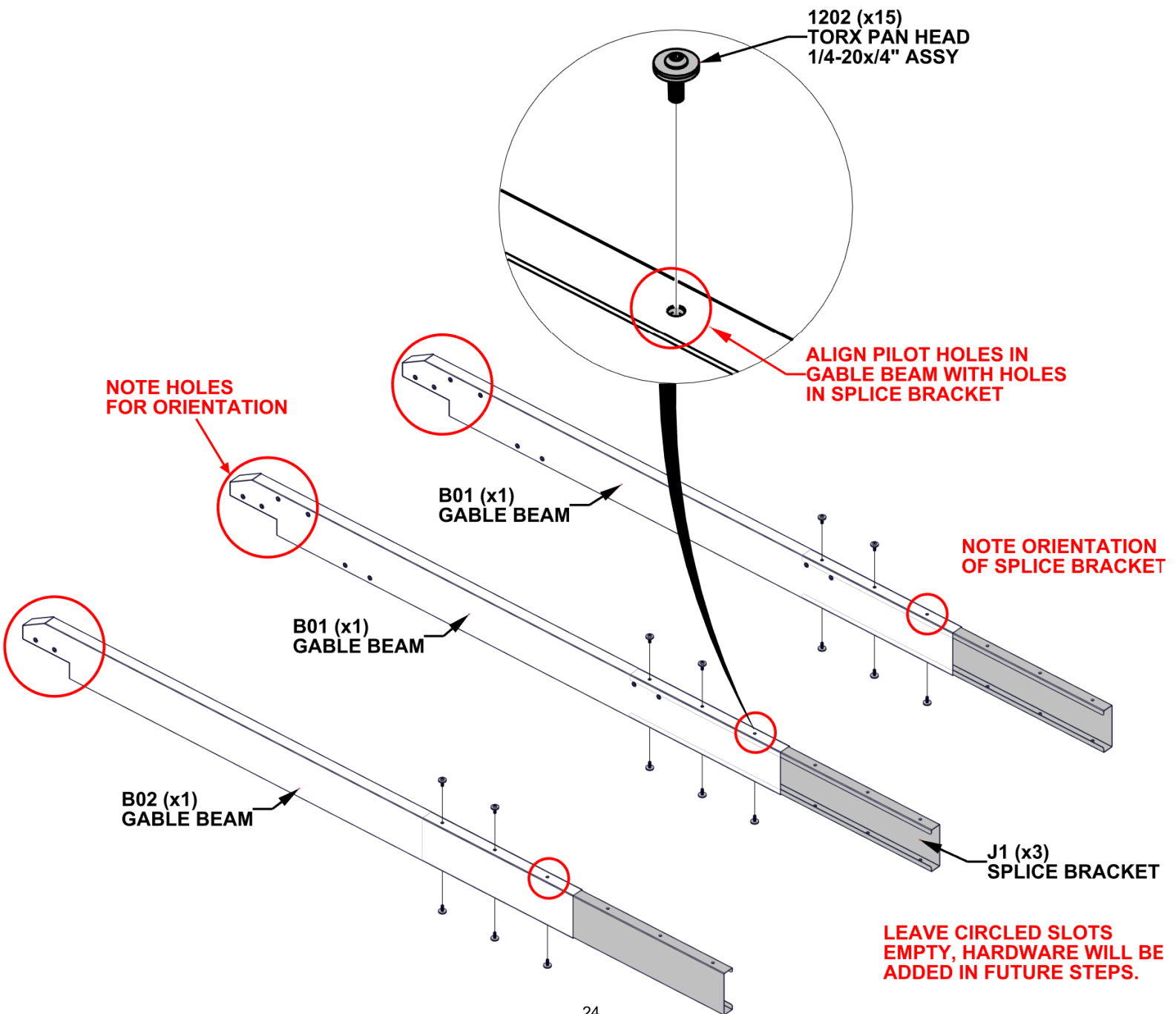


J1 SPLICE BRACKET - A4M02230
(x3) 1 5/16"x5 3/16"x39 3/8" (33.2x131.2x1000)



B02 GABLE BEAM - A4M04152
(x1) 1 9/16"x5 1/4"x71 15/16" (39x134x1827)

- **HAND TIGHTEN HARDWARE.**
- **NOTE ORIENTATION OF J1 SPLICE BRACKET.**
- SLIDE J1 SPLICE BRACKET INTO THE GABLE BEAMS AS SHOWN.
- ALIGN PILOT HOLES AND ATTACH WITH HARDWARE PROVIDED.

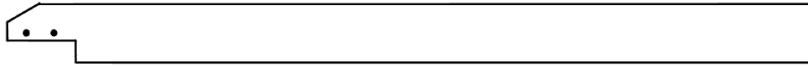


STEP 11 - GABLE ASSEMBLY

QTY	PART NUMBER	DESCRIPTION
15	H101202	TORX PAN HEAD 1/4-20x3/4 ASSY



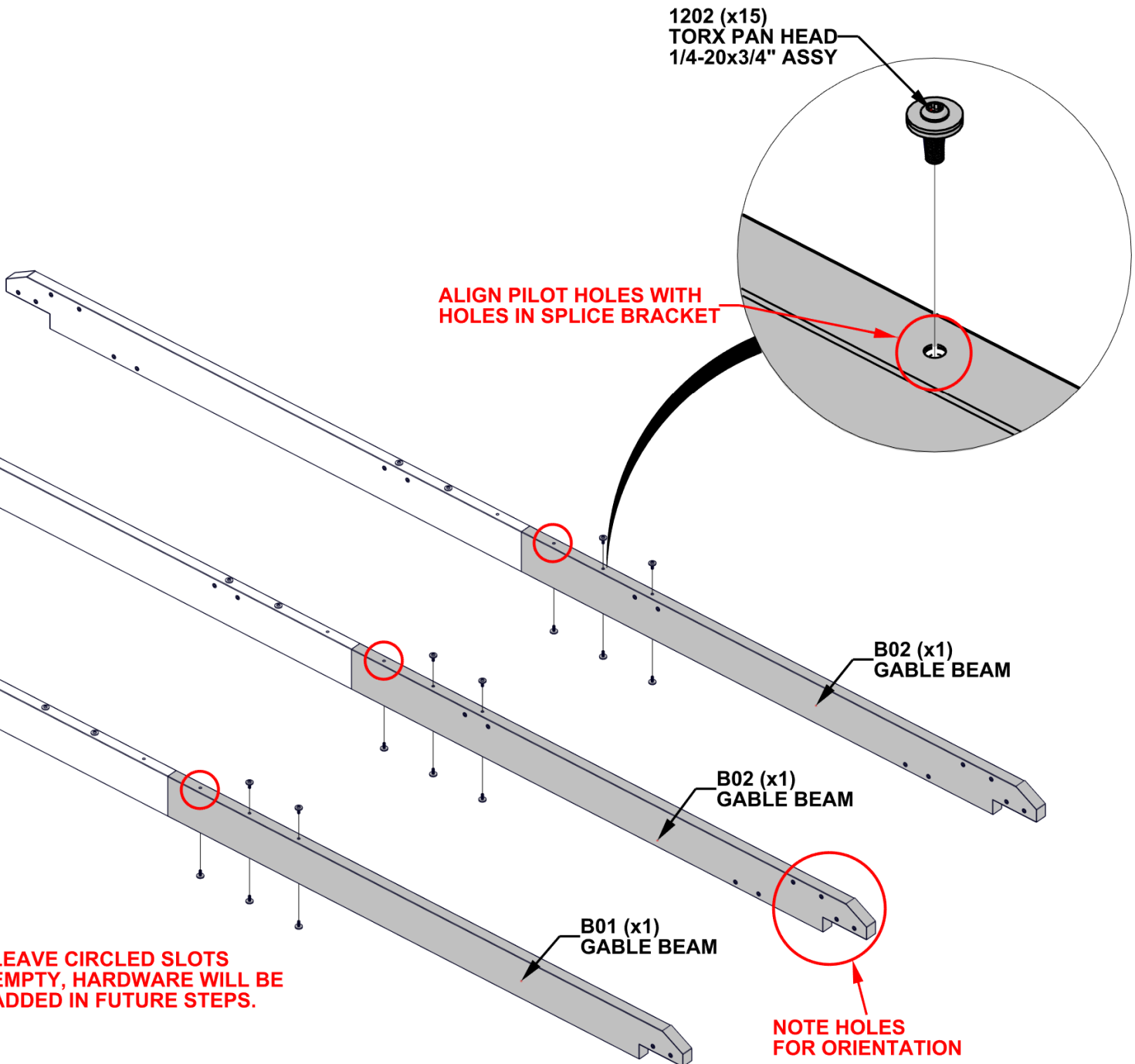
B01 GABLE BEAM - A4M04151
(x1) 1 9/16"x5 1/4"x1826 (39x134x1827)



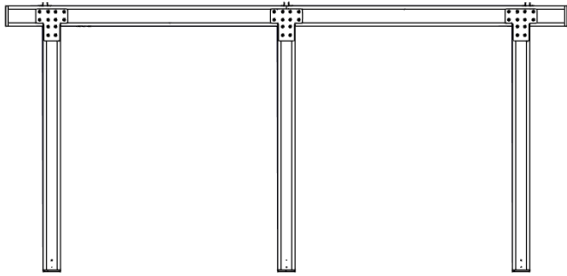
B02 GABLE BEAM - A4M04152
(x2) 1 9/16"x5 1/4"x71 15/16" (39x134x1827)

- AFTER HARDWARE HAS BEEN INSERTED, FULLY TIGHTEN HARDWARE.

- SLIDE GABLE BEAMS B01 AND B02 OVER J1 SPLICE BRACKET.
- ALIGN PILOT HOLES AND ATTACH WITH HARDWARE PROVIDED.

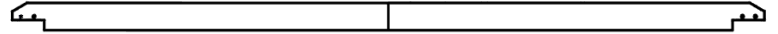


STEP 12 - FRAME ASSEMBLY



BEAM ASSEMBLY
(x2)

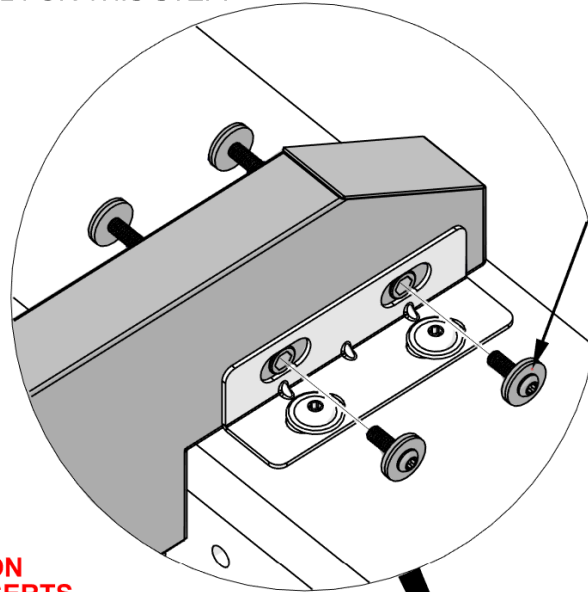
QTY	PART NUMBER	DESCRIPTION
24	H101202	TORX PAN HEAD 1/4-20x3/4 ASSY



GABLE BEAM ASSEMBLY
(x3)

- HAND TIGHTEN HARDWARE.

- ADDITIONAL PEOPLE MAY BE HELPFUL FOR THIS STEP.



1202 (x24)
TORX PAN HEAD
1/4-20x3/4" ASSY

**NOTE ORIENTATION
OF THREADED INSERTS**

BEAM
ASSEMBLY

GABLE BEAM
ASSEMBLY

FRONT

GABLE BEAM
ASSEMBLY

GABLE BEAM
ASSEMBLY

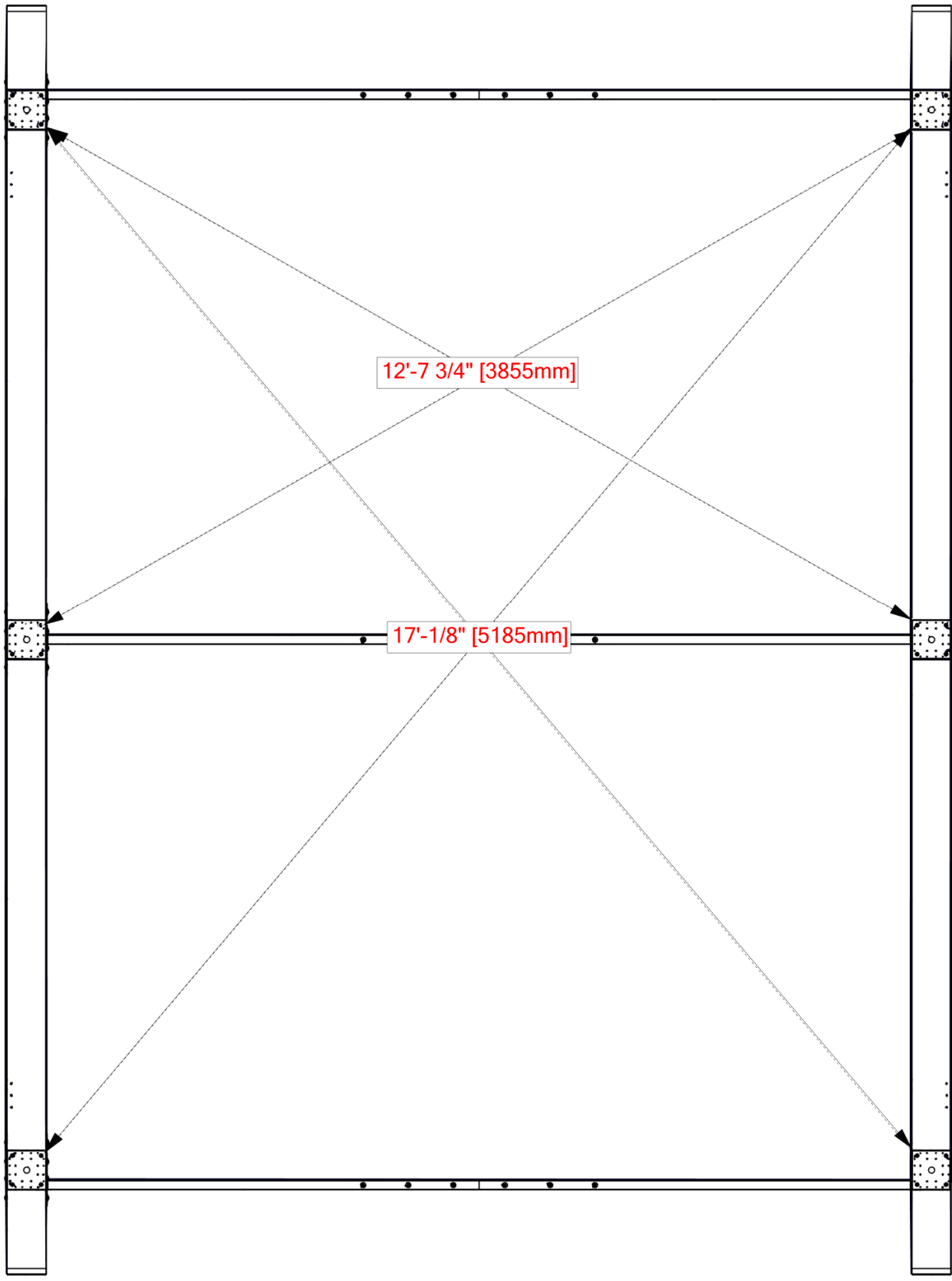
BEAM
ASSEMBLY

**NOTE PILOT HOLE
LOCATIONS ON
POSTS AND BEAMS**

STEP 13 - FRAME ASSEMBLY

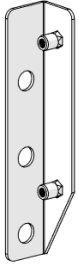
CRITICAL:

- SQUARE UNIT BEFORE PROCEEDING TO NEXT STEPS.
- THE BELOW DIMENSIONS ARE CRITICAL TO THE FINAL ASSEMBLY.
- MEASUREMENTS SHOULD BE WITHIN +/- 1/4" [6mm].
- MEASUREMENTS OUTSIDE OF TOLERANCE WILL LEAD TO ISSUES ON FUTURE ASSEMBLY STEPS.
- AFTER UNIT HAS BEEN SQUARED, COMPLETELY TIGHTEN HARDWARE.

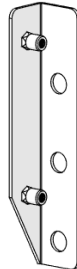


STEP 14 - ANGLE BRACE ASSEMBLY

QTY	PART NUMBER	DESCRIPTION
18	H100458	LAG SCREW WH 5/16x2 BLK

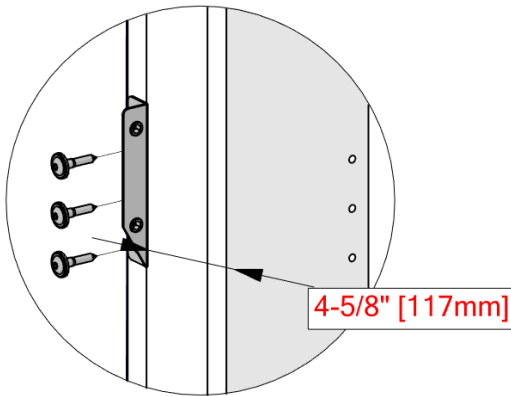


C01 ANGLE BRACE BRACKET - A4M04148
(x3) 1 1/16"x1 1/4"x6" (27x31x152)

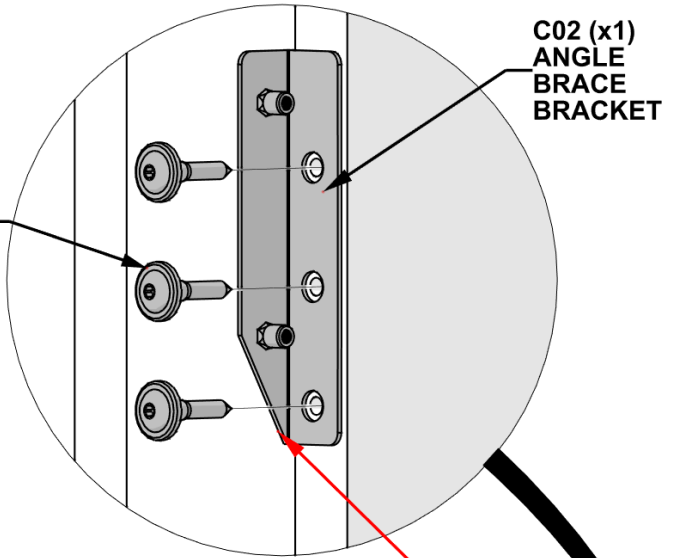


C02 ANGLE BRACE BRACKET - A4M04153
(x3) 1 1/16"x1 1/4"x6" (27x31x152)

- ALIGN BRACKET WITH PILOT HOLES IN POST AS SHOWN.

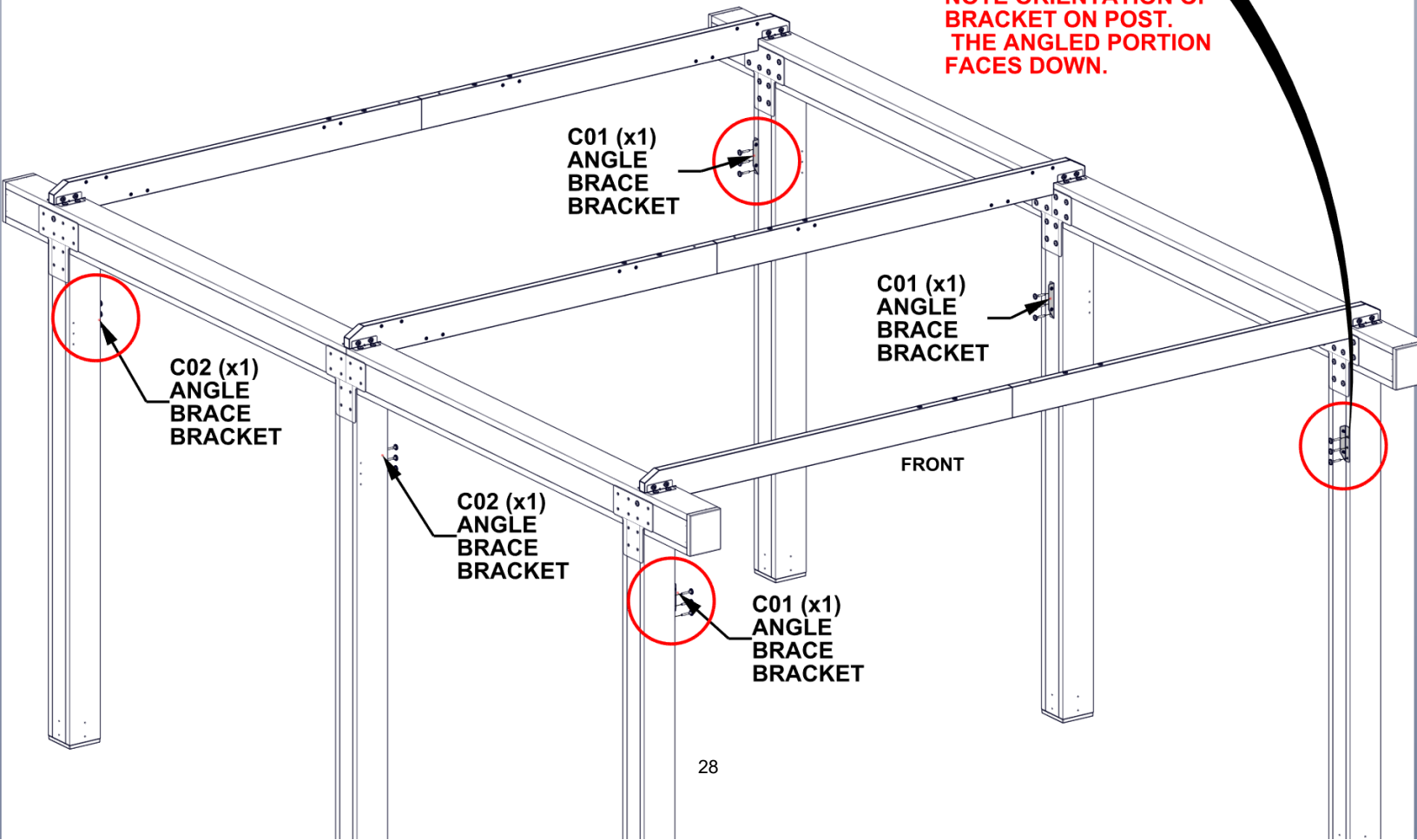


458 (x18)
LAG SCREW - 2"



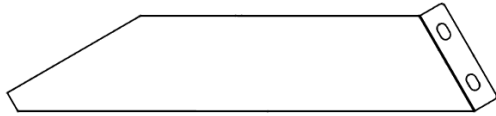
HAND TIGHTEN HARDWARE, MEASURE FROM THE INSIDE OF THE POST TO BRACKET AS SHOWN. DO THIS FOR THE 4 OUTSIDE CORNER POSTS. THIS MEASUREMENT SHOULD BE 4-5/8" [117mm]

NOTE ORIENTATION OF BRACKET ON POST. THE ANGLED PORTION FACES DOWN.

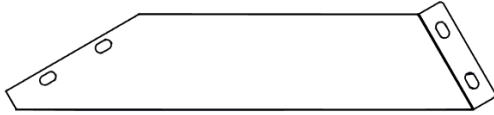


STEP 15 - ANGLE BRACE ASSEMBLY

QTY	PART NUMBER	DESCRIPTION
24	H101202	TORX PAN HEAD 1/4-20x3/4 ASSY



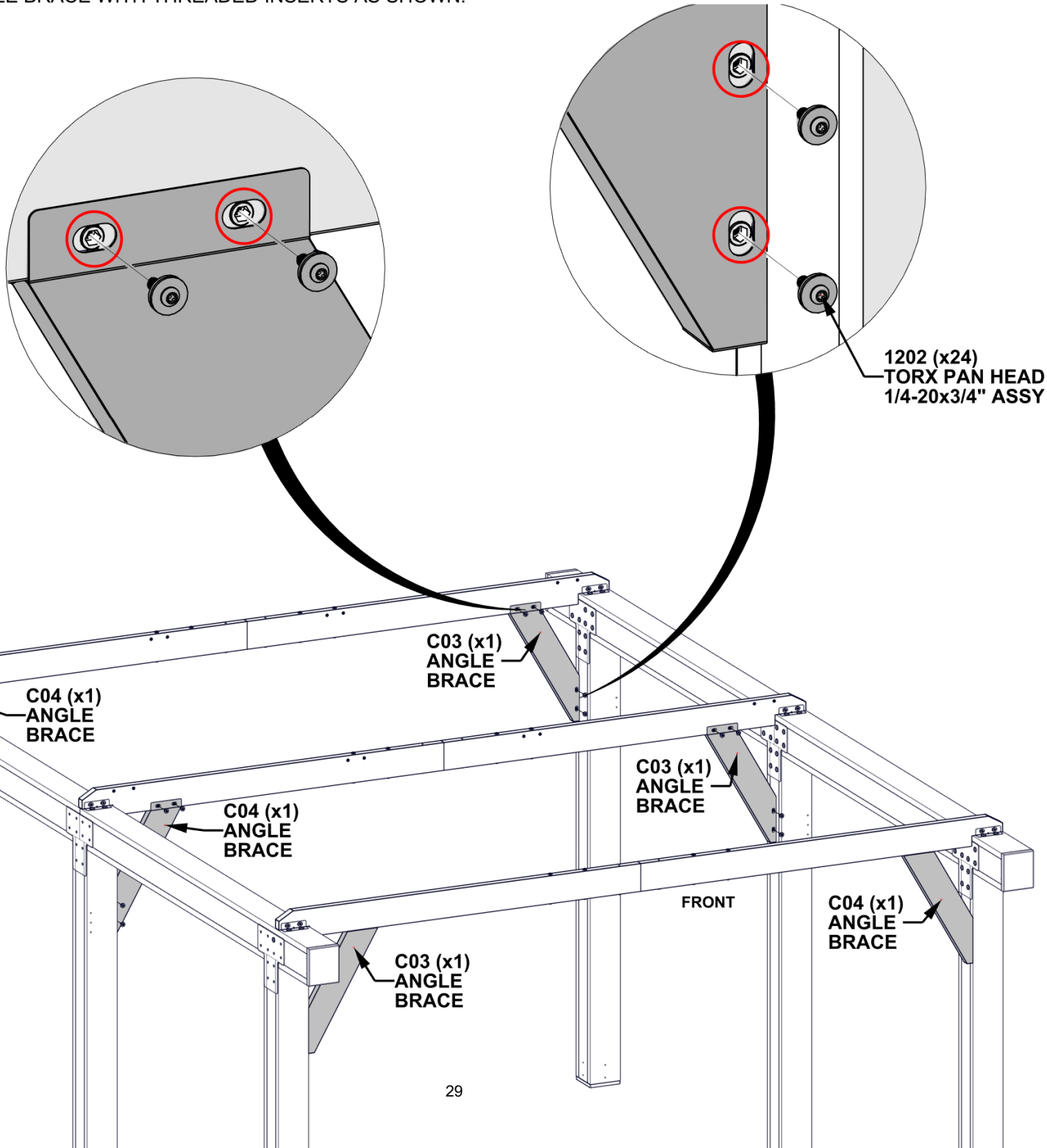
C03 ANGLE BRACE - A4M04149
(x3) 1 1/2"x5 15/16"x27 1/16" (38x151x687)



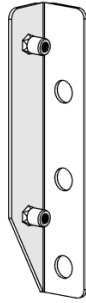
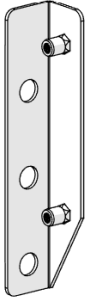
C04 ANGLE BRACE - A4M04150
(x3) 1 1/2"x5 15/16"x27 1/16" (38x151x687)

- HAND TIGHTEN UNTIL ALL HARDWARE IS INSERTED, THEN FULLY TIGHTEN ALL HARDWARE.

- ALIGN ANGLE BRACE WITH THREADED INSERTS AS SHOWN.



STEP 16 - ANGLE BRACE ASSEMBLY

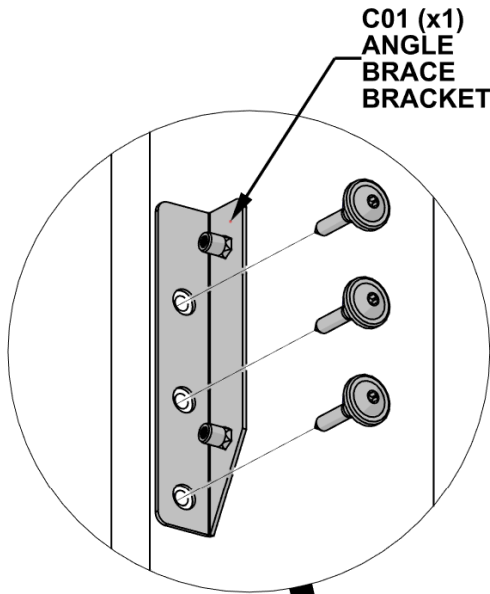


QTY	PART NUMBER	DESCRIPTION
24	H100458	LAG SCREW WH 5/16x2 BLK

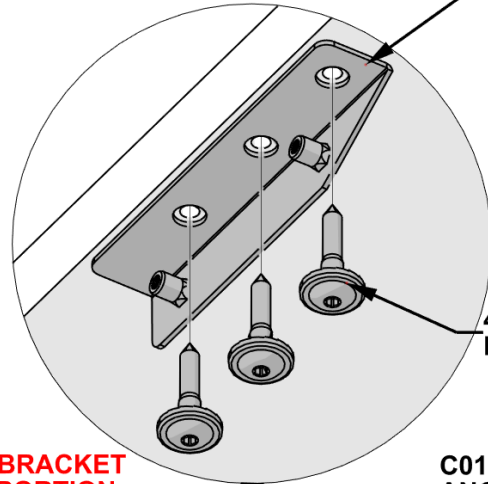
C01 ANGLE BRACE BRACKET - A4M04148
(x4) 1 1/16"x1 1/4"x6" (27x31x152)

C02 ANGLE BRACE BRACKET - A4M04153
(x4) 1 1/16"x1 1/4"x6" (27x31x152)

- MEASURE 4-5/8" [117mm] FROM THE BACK SIDE OF ANGLE BRACE BRACKET TO INSIDE OF POST.
- ALIGN BRACKET WITH PILOT HOLES IN POST AS SHOWN.



C01 (x1)
ANGLE
BRACE
BRACKET

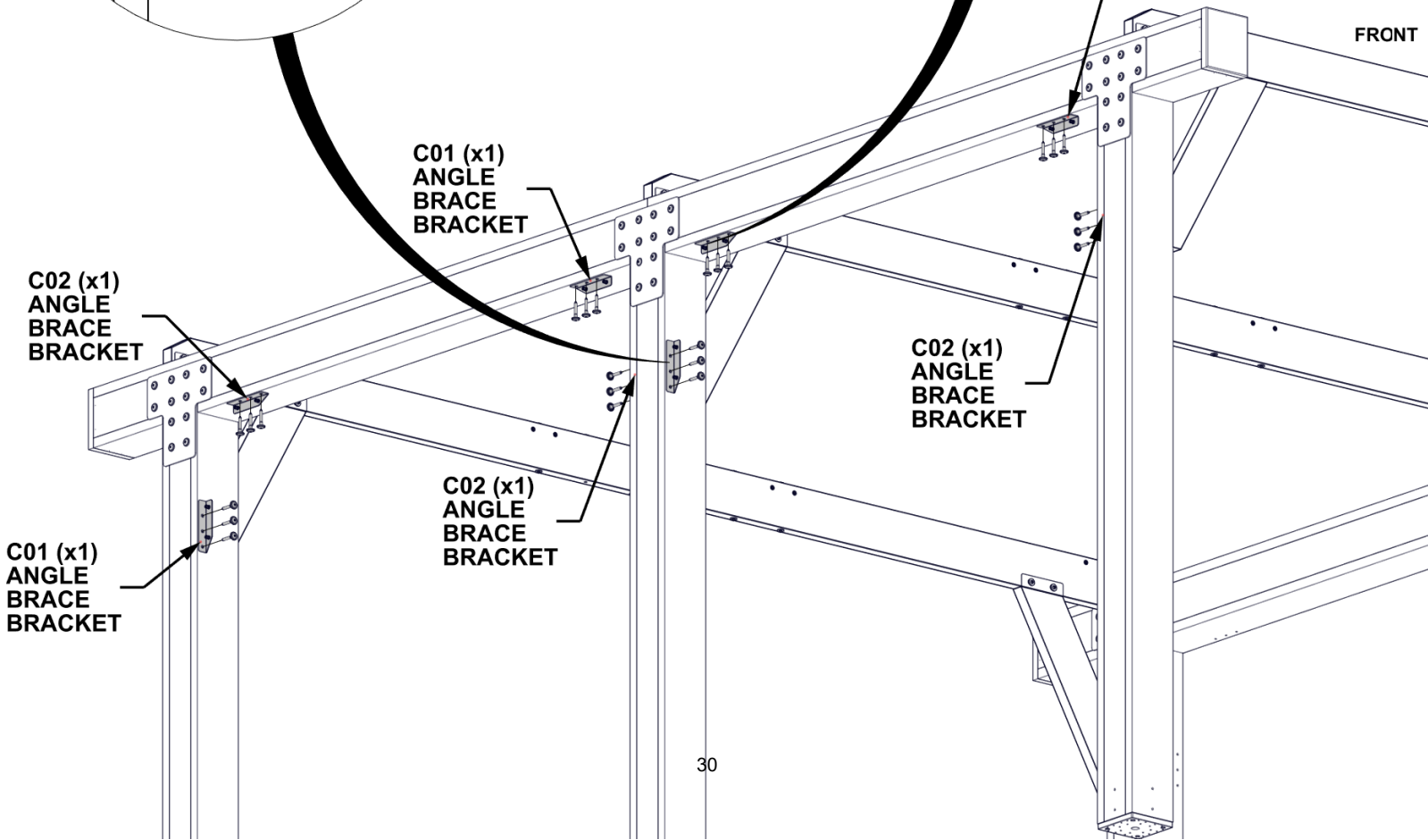


C02 (x1)
ANGLE
BRACE
BRACKET

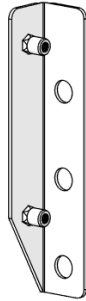
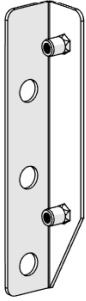
458 (x24)
LAG SCREW - 2"

NOTE ORIENTATION OF BRACKET ON POST. THE ANGLED PORTION FACES AWAY FROM CORNER OF BEAM/POST ASSEMBLY.

C01 (x1)
ANGLE
BRACE
BRACKET



STEP 17 - ANGLE BRACE ASSEMBLY



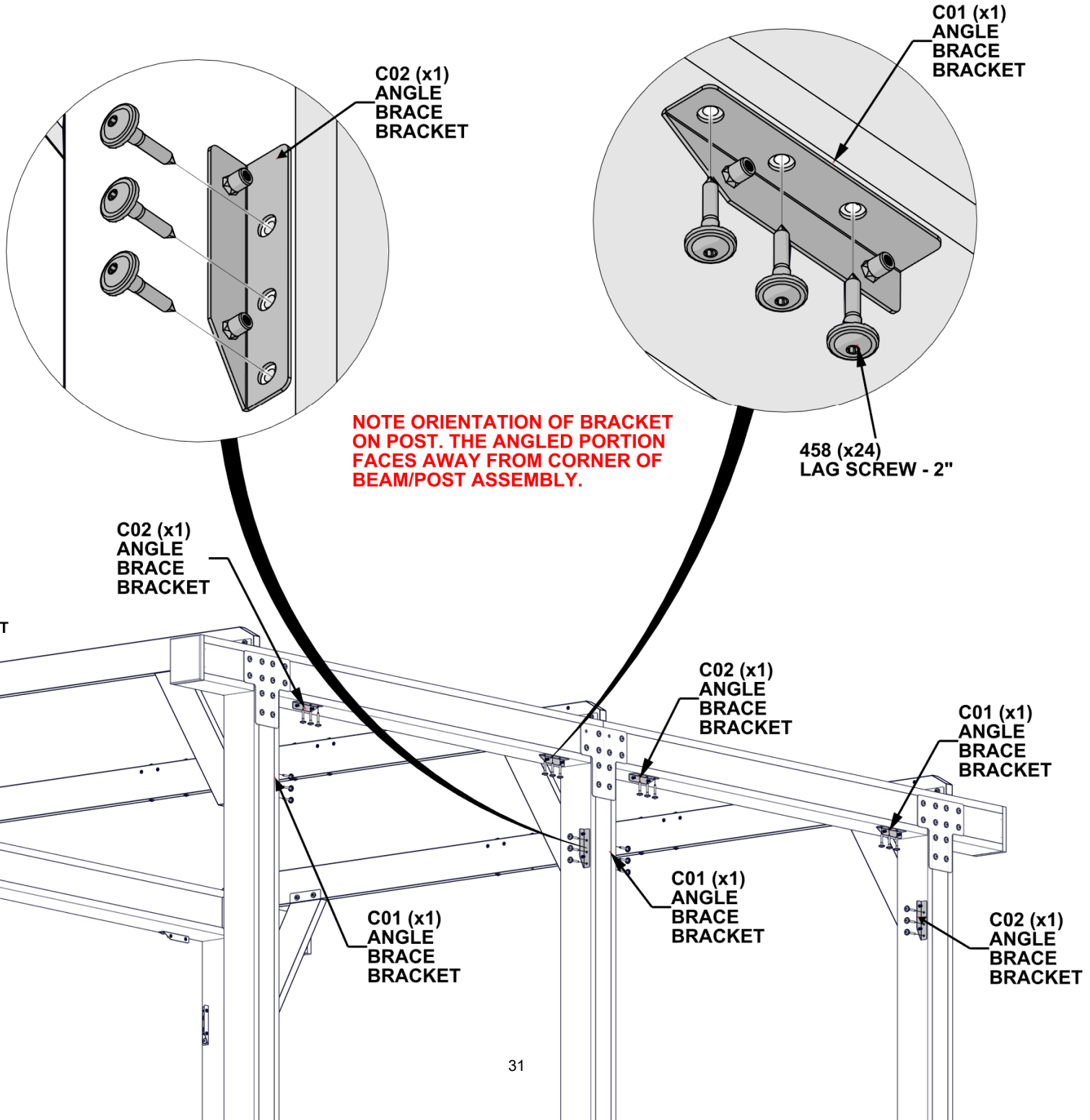
QTY	PART NUMBER	DESCRIPTION
24	H100458	LAG SCREW WH 5/16x2 BLK

C01 ANGLE BRACE BRACKET - A4M04148
(x4) 1 1/16"x1 1/4"x6" (27x31x152)

C02 ANGLE BRACE BRACKET - A4M04153
(x4) 1 1/16"x1 1/4"x6" (27x31x152)

- MEASURE 4-5/8" [117mm] FROM THE BACK SIDE OF ANGLE BRACE BRACKET TO INSIDE OF POST.

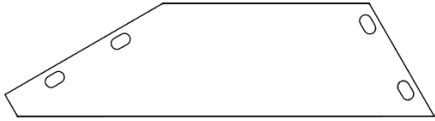
- ALIGN BRACKET WITH PILOT HOLES IN POST AS SHOWN.



STEP 18 - ANGLE BRACE ASSEMBLY



C05 ANGLE BRACE - A4M04320
(x2) 1 7/16"x5 5/16"x20 1/16" (36x135x509)



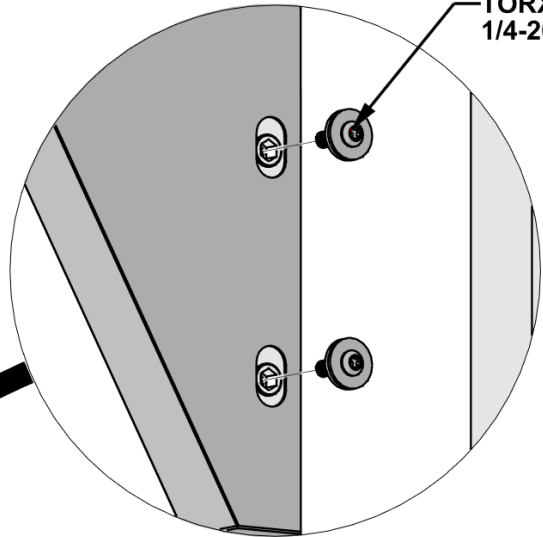
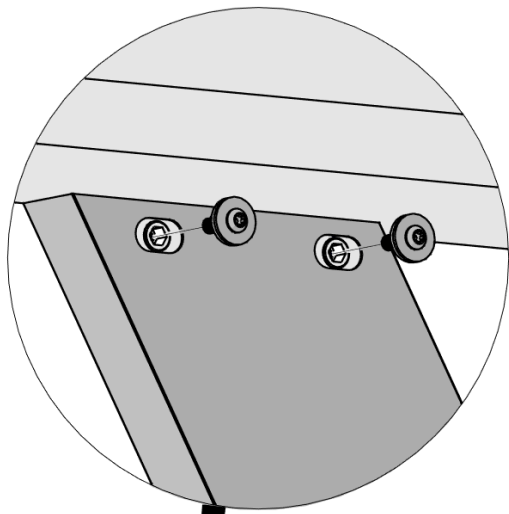
C06 ANGLE BRACE - A4M04321
(x2) 1 7/16"x5 5/16"x20 1/16" (36x135x509)

QTY	PART NUMBER	DESCRIPTION
16	H101202	TORX PAN HEAD 1/4-20x3/4 ASSY

- HAND TIGHTEN UNTIL ALL HARDWARE IS INSERTED, THEN FULLY TIGHTEN.

- ALIGN BRACKET WITH PILOT HOLES IN POST AS SHOWN.

1202 (x16)
TORX PAN HEAD
1/4-20x3/4" ASSY



FRONT

C06 (x1)
ANGLE
BRACE

C05 (x1)
ANGLE
BRACE

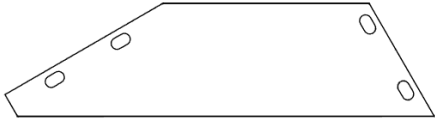
C06 (x1)
ANGLE
BRACE

C05 (x1)
ANGLE
BRACE

STEP 19 - ANGLE BRACE ASSEMBLY



C05 ANGLE BRACE - A4M04320
(x2) 1 7/16"x5 5/16"x20 1/16" (36x135x509)



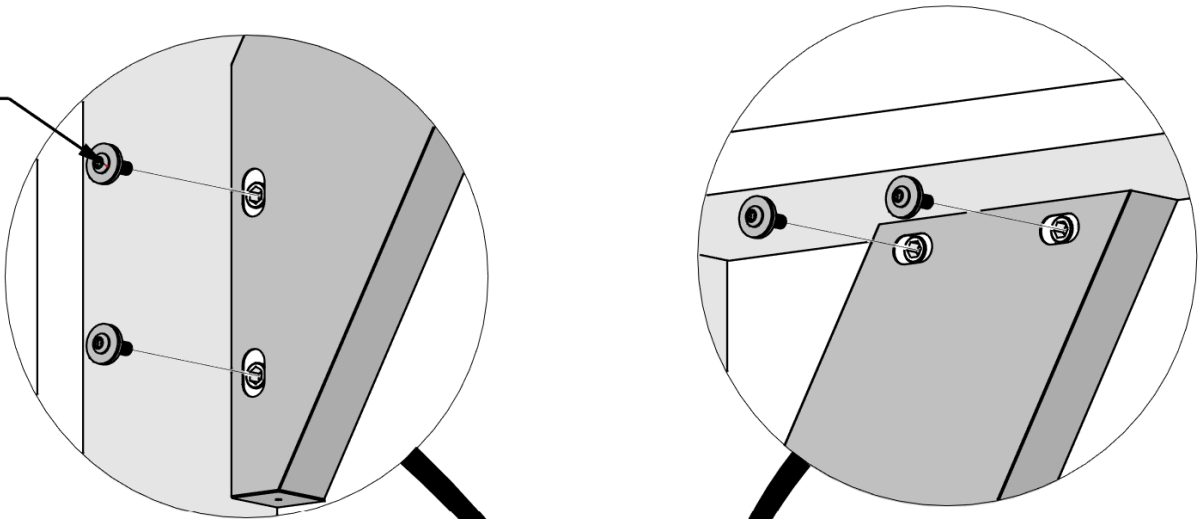
C06 ANGLE BRACE - A4M04321
(x2) 1 7/16"x5 5/16"x20 1/16" (36x135x509)

QTY	PART NUMBER	DESCRIPTION
16	H101202	TORX PAN HEAD 1/4-20x3/4 ASSY

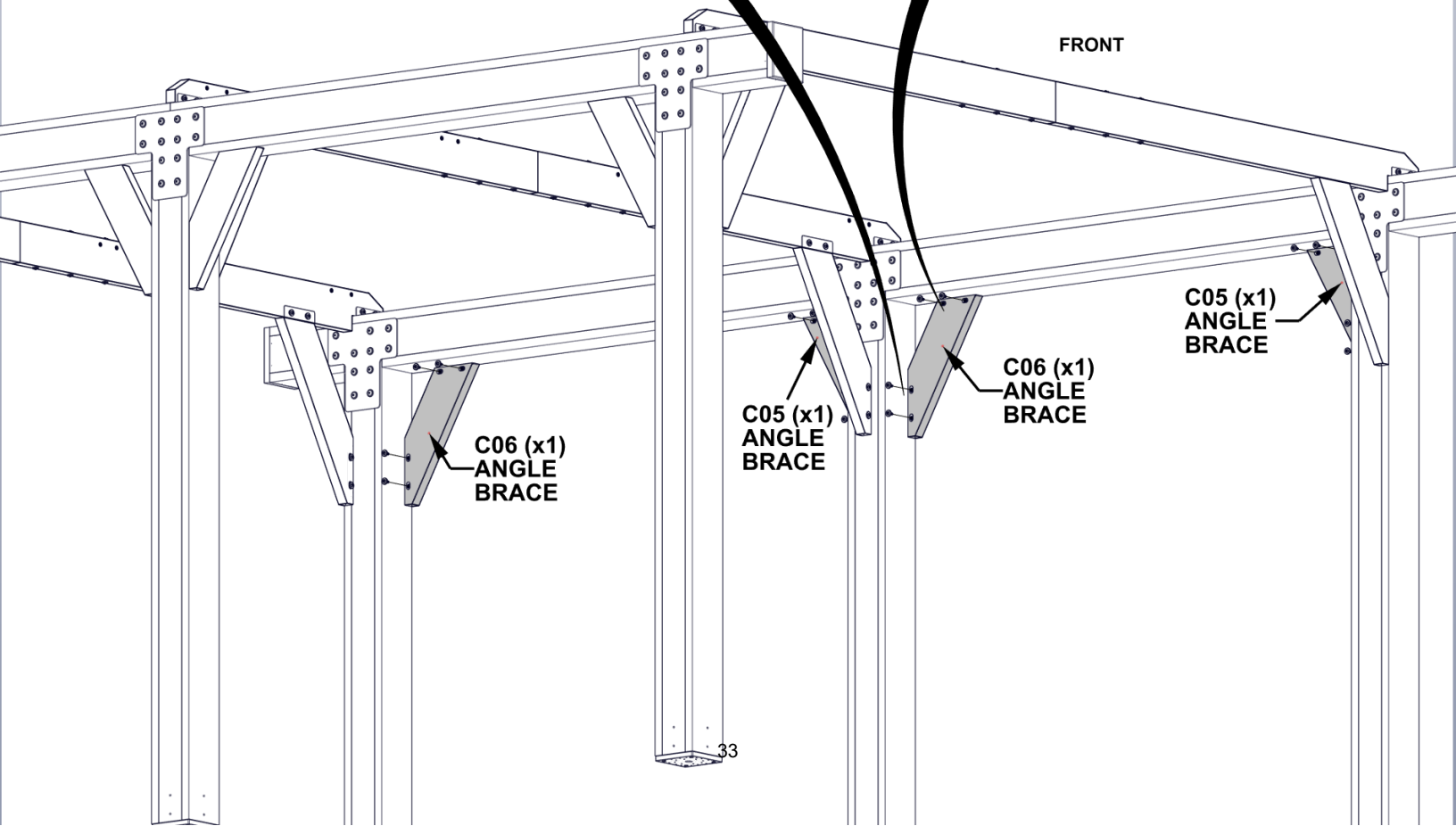
- HAND TIGHTEN UNTIL ALL HARDWARE IS INSERTED, THEN FULLY TIGHTEN.

- ALIGN BRACKET WITH PILOT HOLES IN POST AS SHOWN.

1202 (x16)
TORX PAN HEAD
1/4-20x3/4" ASSY



FRONT



C05 (x1)
ANGLE
BRACE

C06 (x1)
ANGLE
BRACE

C05 (x1)
ANGLE
BRACE

C06 (x1)
ANGLE
BRACE

STEP 20 - ANGLE BRACE ASSEMBLY

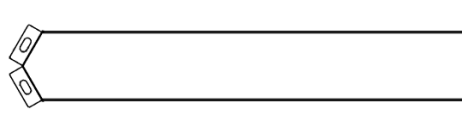
QTY	PART NUMBER	DESCRIPTION
18	H101202	TORX PAN HEAD 1/4-20x3/4 ASSY



B08 GABLE SUPPORT - A4M04318
(x3) 1 1/2"x5 15/16"x24 5/8" (38x152x625)

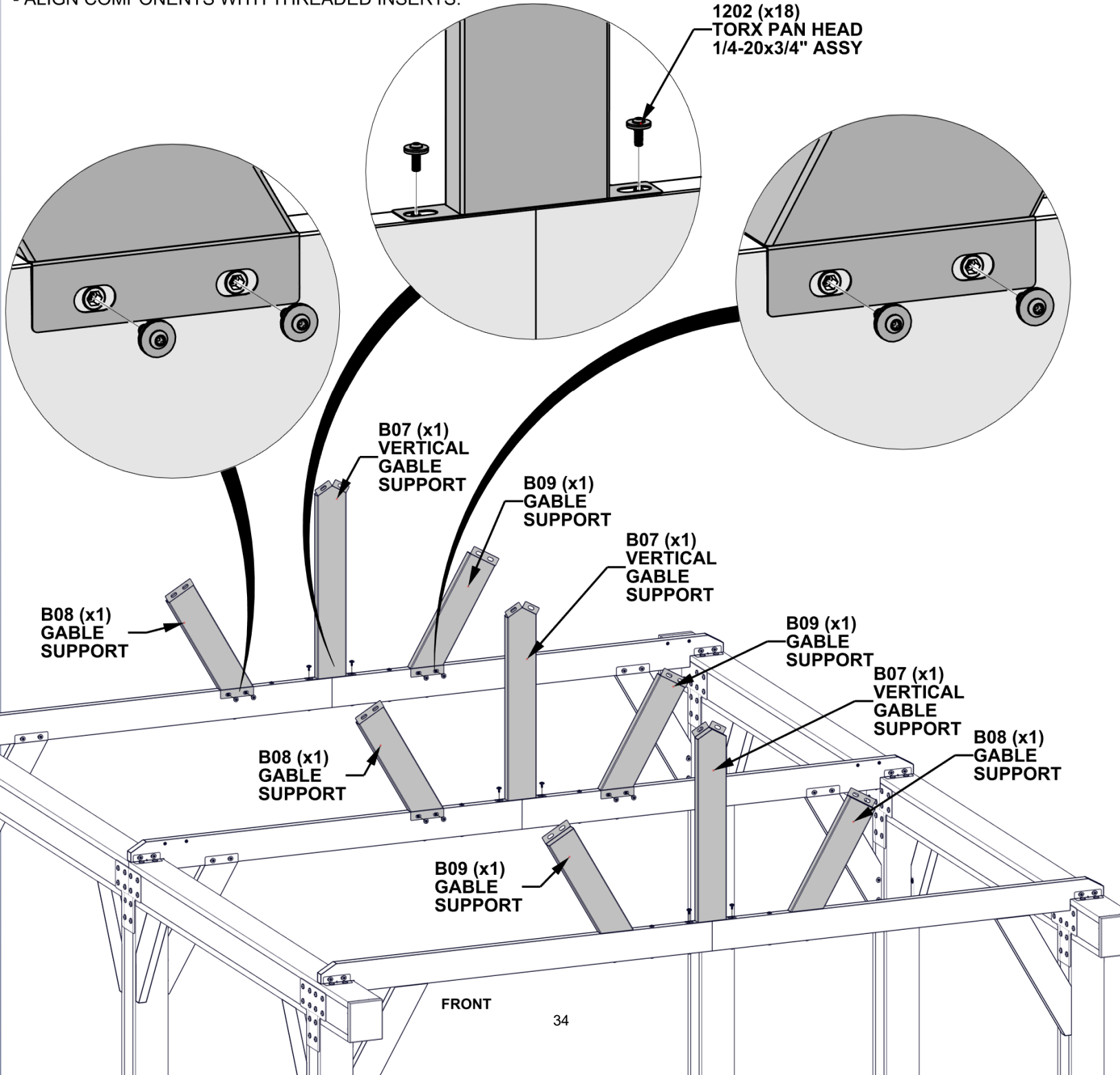


B09 GABLE SUPPORT - A4M04319
(x3) 1 1/2"x5 15/16"x24 5/8" (38x152x625)



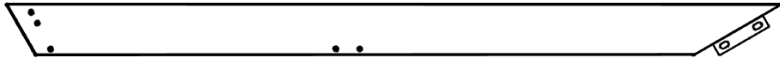
B07 VERTICAL GABLE SUPPORT - A4M04317
(x3) 1 1/2"x9 1/16"x34 11/16" (38x230x882)

- HAND TIGHTEN HARDWARE.
- ALIGN COMPONENTS WITH THREADED INSERTS.

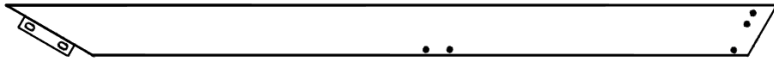


STEP 21 - GABLE ASSEMBLY

QTY	PART NUMBER	DESCRIPTION
20	H101202	TORX PAN HEAD 1/4-20x3/4 ASSY

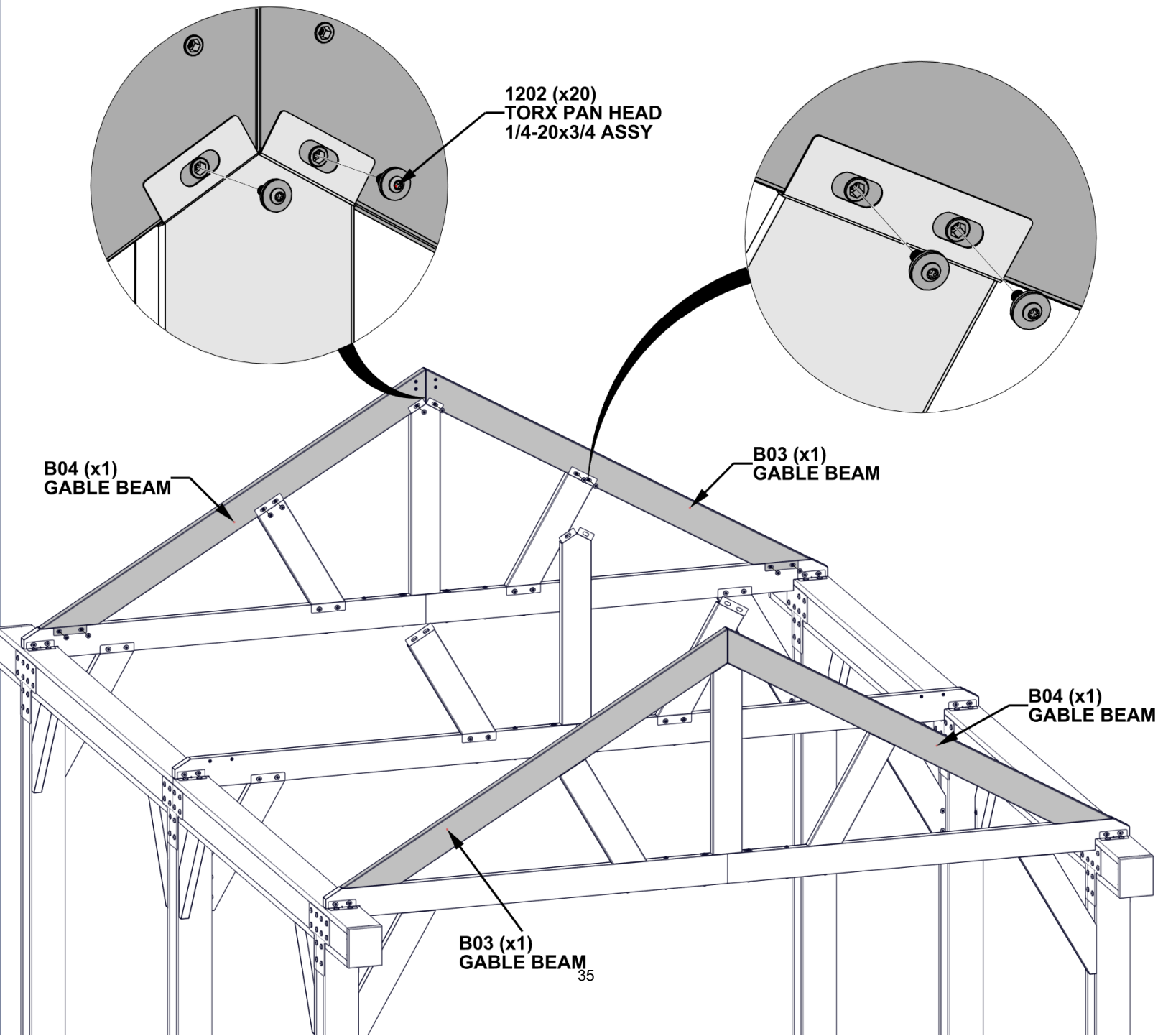


B03 GABLE BEAM - A4M04157
(x2) 1 1/2"x5 1/4"x79 1/2" (38x134x2019)



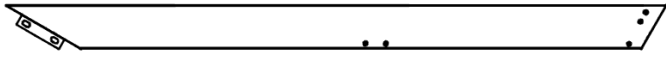
B04 GABLE BEAM - A4M04158
(x2) 1 1/2"x5 1/4"x79 1/2" (38x134x2019)

- **HAND TIGHTEN HARDWARE.**
- ALIGN COMPONENTS WITH THREADED INSERTS.

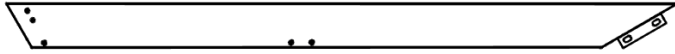


STEP 22 - GABLE ASSEMBLY

QTY	PART NUMBER	DESCRIPTION
10	H101202	TORX PAN HEAD 1/4-20x3/4 ASSY



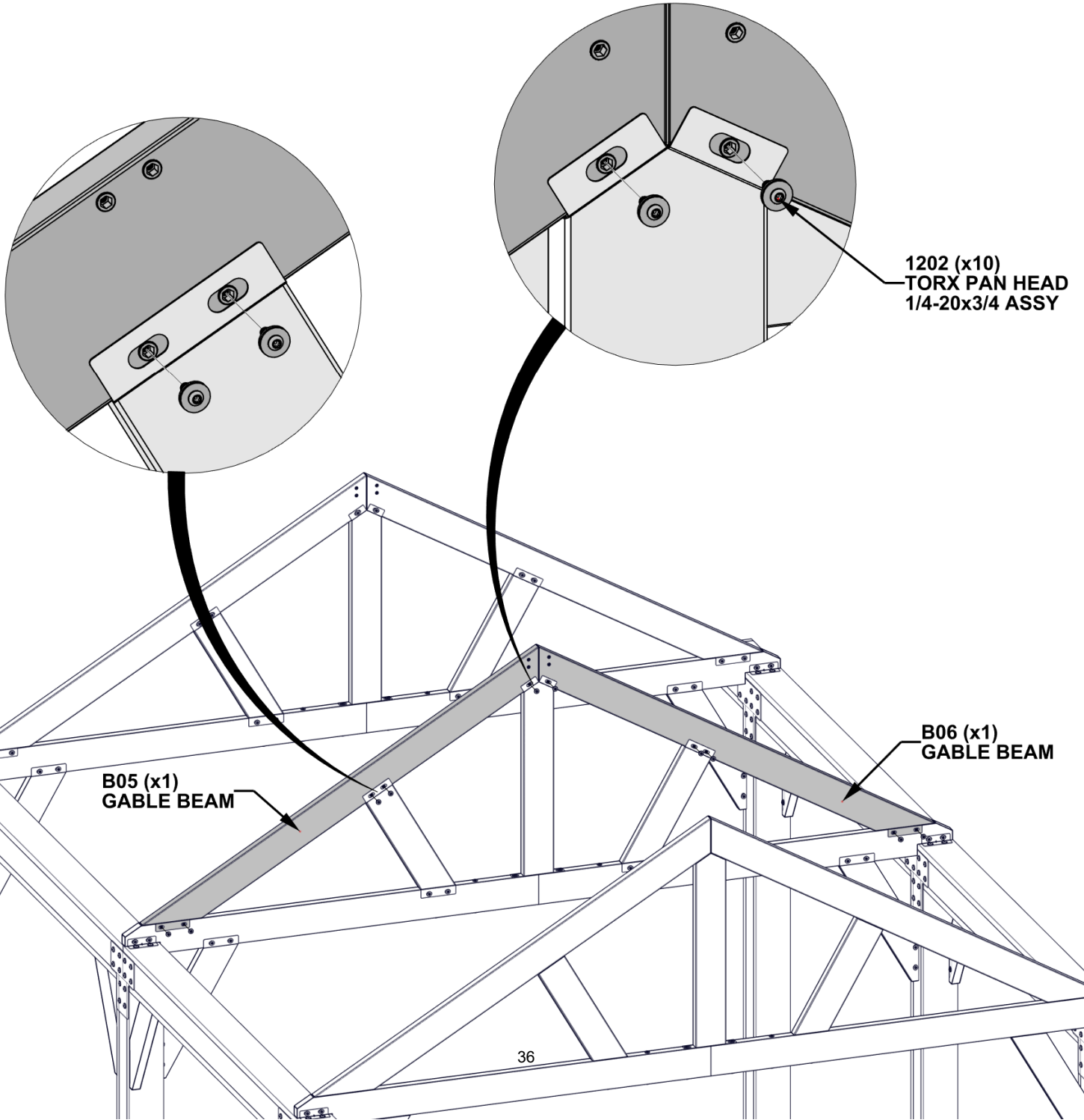
B05 GABLE BEAM - A4M05403
(x1) 1 1/2"x5 1/4"x79 1/2" (38x134x2019)



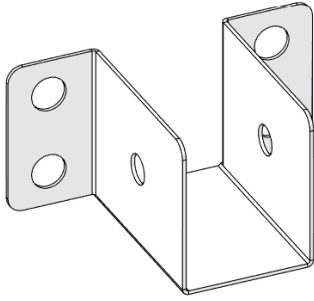
B06 GABLE BEAM - A4M05402
(x1) 1 1/2"x5 1/4"x79 1/2" (38x134x2019)

- HAND TIGHTEN HARDWARE.

- ALIGN COMPONENTS WITH THREADED INSERTS.
- AFTER HARDWARE HAS BEEN INSERTED, FULLY TIGHTEN ALL HARDWARE.



STEP 23 - GABLE ASSEMBLY

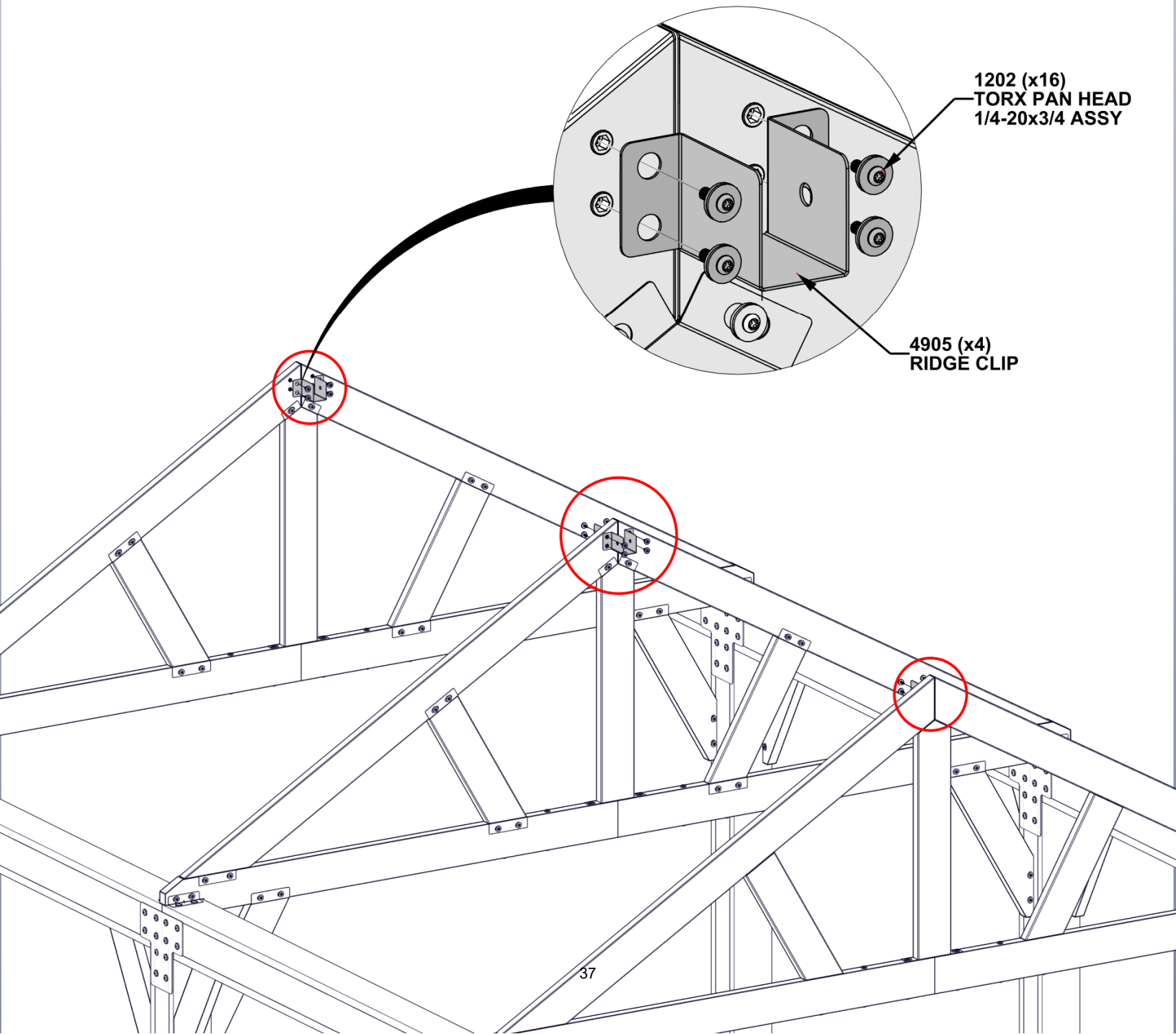


A4M04905 RIDGE CLIP
(x4)

QTY	PART NUMBER	DESCRIPTION
16	H101202	TORX PAN HEAD 1/4-20x3/4 ASSY

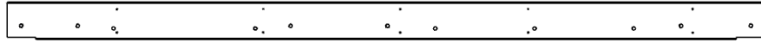
- HAND TIGHTEN HARDWARE. AFTER HARDWARE HAS BEEN INSERTED, FULLY TIGHTEN ALL HARDWARE.

- ALIGN COMPONENTS WITH THREADED INSERTS.

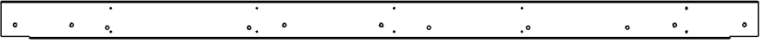


STEP 24A - RIDGE ASSEMBLY

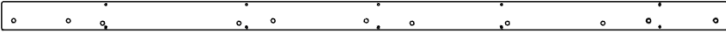
QTY	PART NUMBER	DESCRIPTION
10	H100382	SCREW PFH 8x1 3/4 BLK
4	H100379	TNUT-5/16" BLK



AD11 RIDGE SUPPORT - W4L21955
(x1) 15/16"x4"x81 9/16" (24x102x2072)

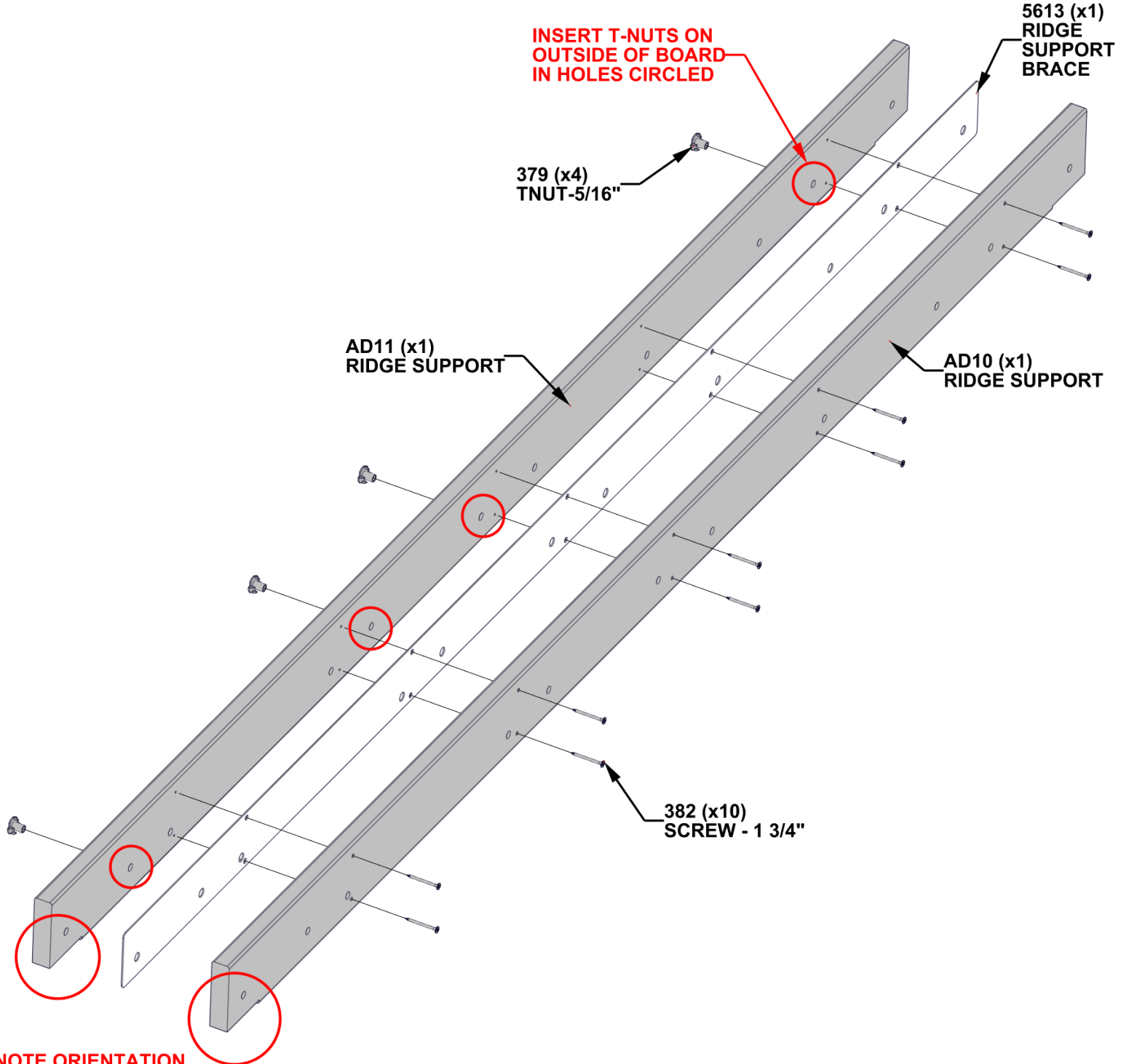


AD10 RIDGE SUPPORT - W4L21973
(x1) 15/16"x4"x81 9/16" (24x102x2072)



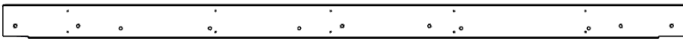
A4M05613 RIDGE SUPPORT BRACE
(x1)

- ALIGN HOLES IN AD10 BOARD AND HOLES IN RIDGE PLATE WITH PILOT HOLES IN AD11 BOARD.
- SET ASIDE FOR LATER USE.

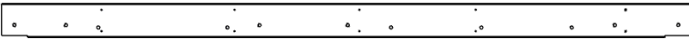


STEP 24B - RIDGE ASSEMBLY

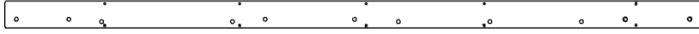
QTY	PART NUMBER	DESCRIPTION
10	H100382	SCREW PFH 8x1 3/4 BLK
4	H100379	TNUT-5/16" BLK



AD03 RIDGE SUPPORT - W4L22306
(x1) 15/16"x4"x81 9/16" (24x102x2072)

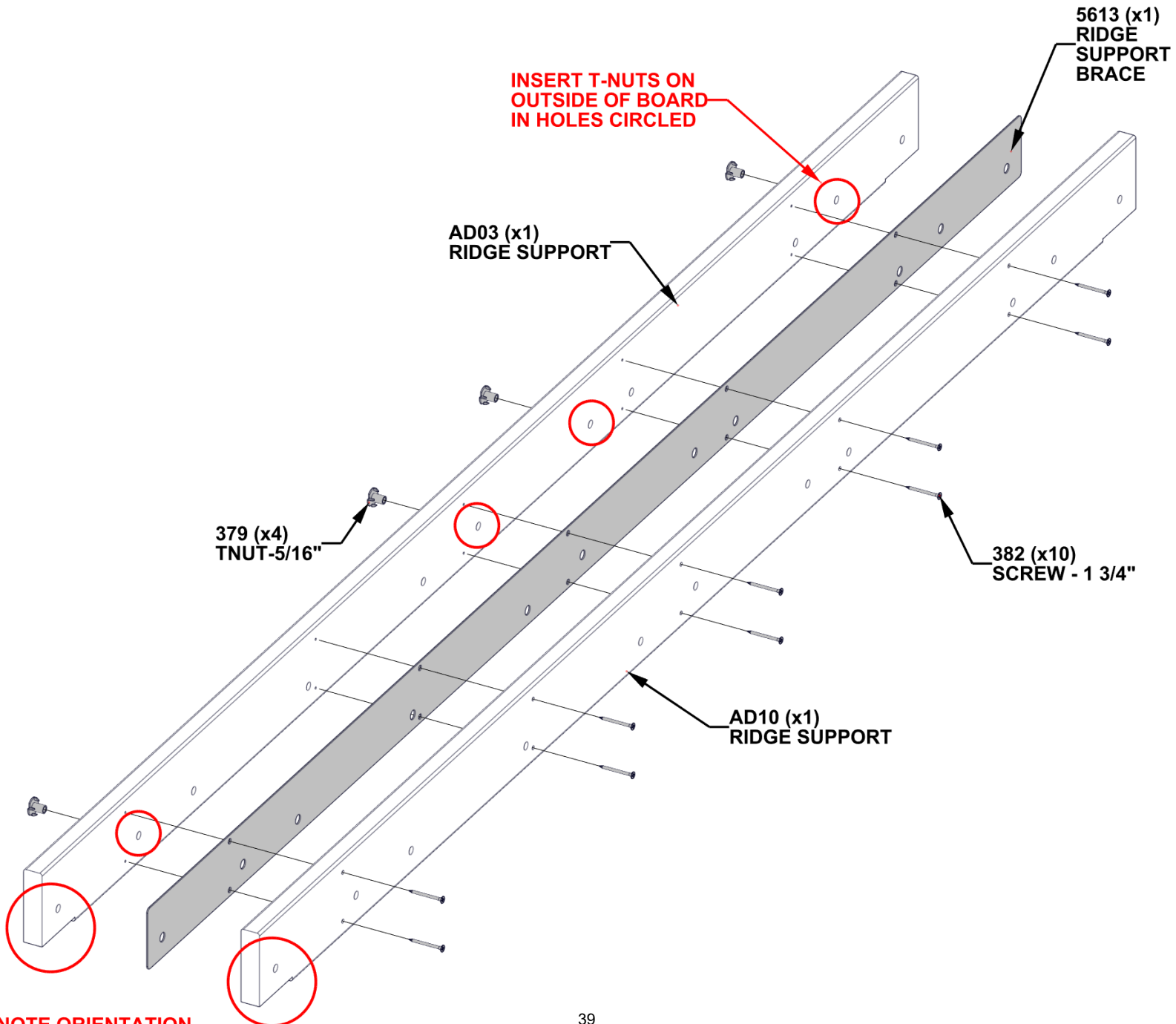


AD10 RIDGE SUPPORT - W4L21973
(x1) 15/16"x4"x81 9/16" (24x102x2072)



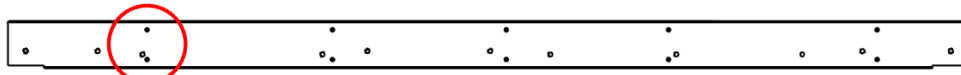
A4M05613 RIDGE SUPPORT BRACE
(x1)

- ALIGN HOLES IN AD10 BOARD AND HOLES IN RIDGE PLATE WITH PILOT HOLES IN AD03 BOARD.
- SET ASIDE FOR LATER USE, KEEP SEPERATE FROM PREVIOUS STEP ASSEMBLY.

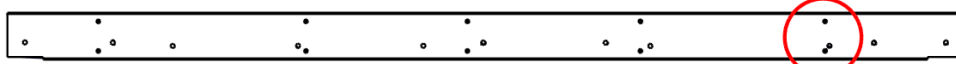


STEP 24C - RIDGE ASSEMBLY

QTY	PART NUMBER	DESCRIPTION
4	H100479	NUT LOCK 5/16 BLK
4	H100478	WASHER FLAT 8x27 BLK
4	H100195	BOLT WH 5/16x2 3/4 BLK



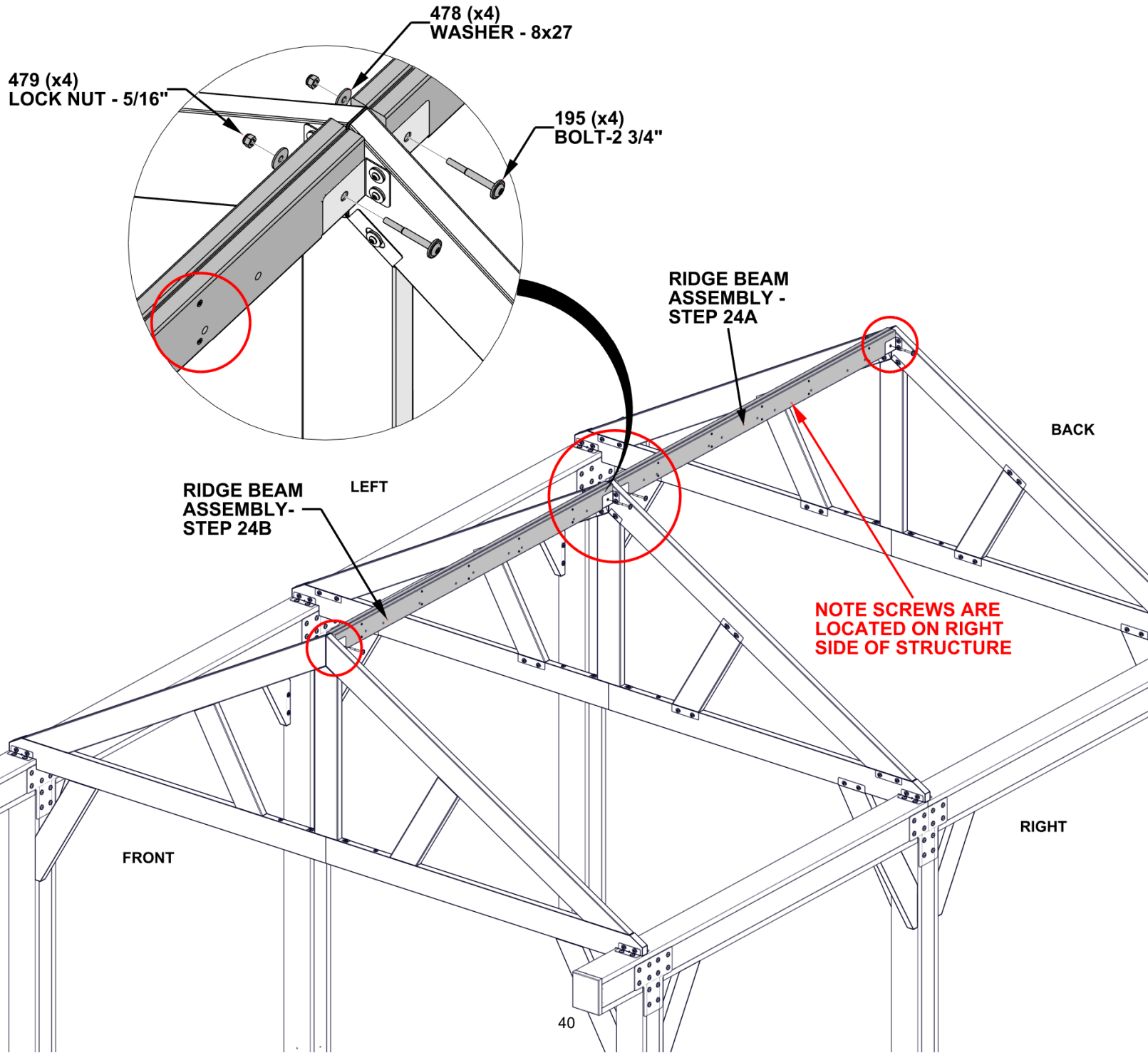
RIDGE BEAM ASSEMBLY - STEP 24A



RIDGE BEAM ASSEMBLY - STEP 24B

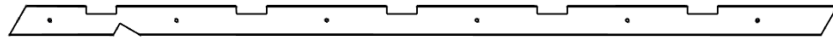
- NOTE ORIENTATION OF RIDGE BEAM ASSEMBLIES. CIRCLED SECTION ABOVE WILL BE INSTALLED TOWARD MIDDLE GABLE BEAM.

- ALIGN HOLES IN RIDGE PEAK ASSEMBLY FROM PREVIOUS STEP WITH HOLES IN RIDGE CLIP BRACKET.
- FULLY TIGHTEN HARDWARE.

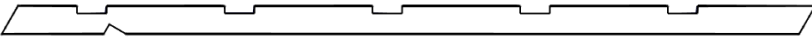


STEP 25A- ROOF PANEL 'A' ASSEMBLY

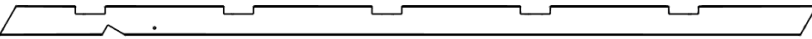
QTY	PART NUMBER	DESCRIPTION
8	H100391	SCREW PFH 8x2 BLK
2	H100379	T-NUT 5/16 BLK
8	H100201	SCREW PFH 8x2 1/2 BLK



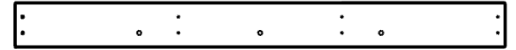
E04 RAFTER - W4L21176
(x1) 1 7/16"x3 3/8"x95 1/16" (36x86x2414)



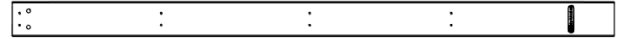
E07 RAFTER - W4L21561
(x2) 1 7/16"x3 3/8"x95 1/16" (36x86x2414)



E08 RAFTER - W4L21799
(x1) 1 7/16"x3 3/8"x95 1/16" (36x86x2414)



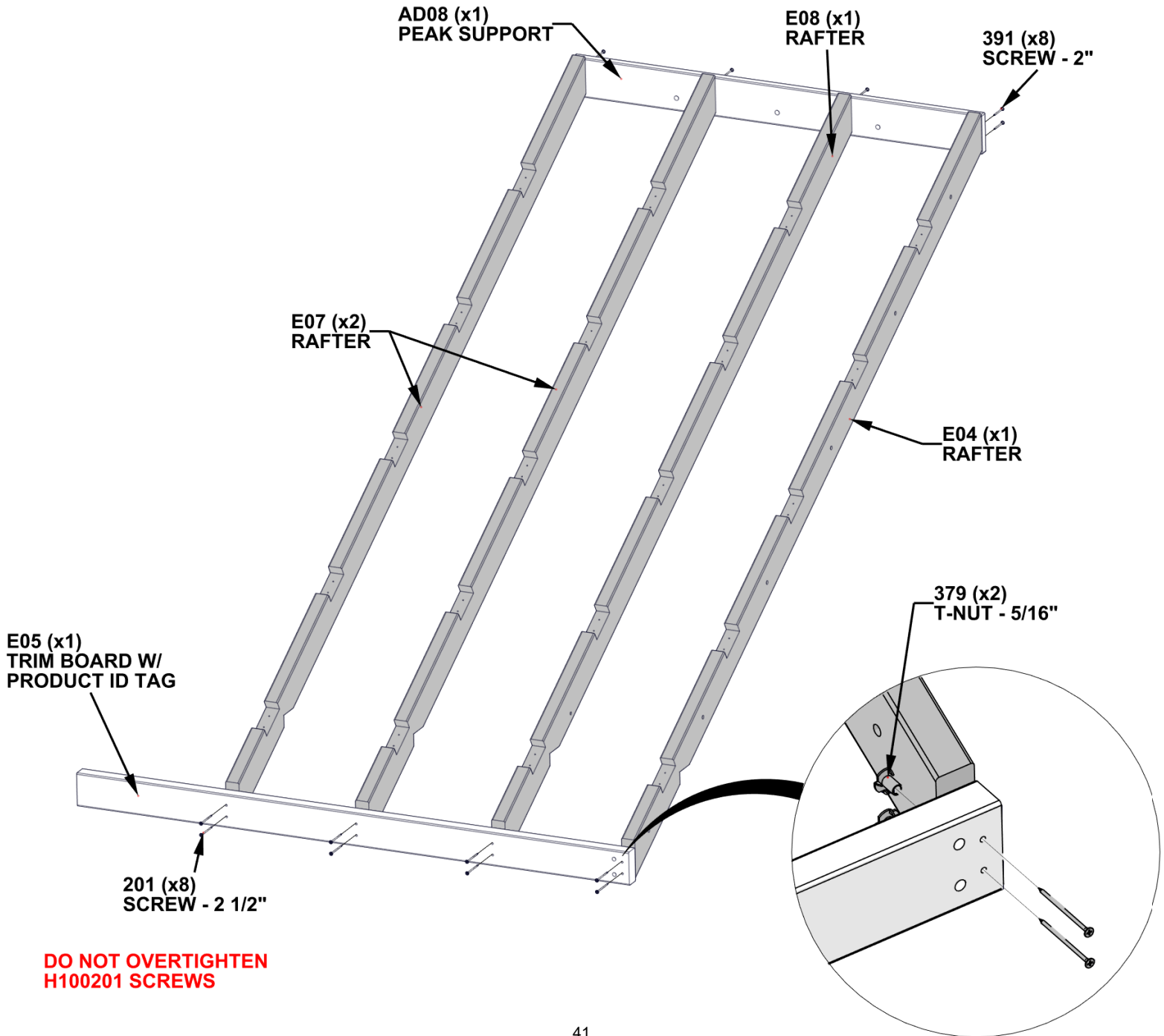
AD08 PEAK SUPPORT - W4L21902
(x1) 15/16"x4"x43 7/16" (24x102x1103)



E05 TRIM BOARD W/ PRODUCT ID TAG - W2A04803
(x1) 1 1/2"x3 3/8"x58 9/16" (39x86x1488)

- INSERT T-NUTS FIRST, FAILURE TO DO SO WILL RESULT IN INCORRECT ASSEMBLY.

- ALIGN AD08 AND E05 WITH PILOT HOLES IN RAFTER BOARDS.
- NOTE THAT HOLES IN AD08 BOARD ARE TOWARD THE BOTTOM.
- TO HELP WITH ORGANIZATION, WE SUGGEST LABELING 'S1A' ON THE SCREW SIDE OF AD08 RIDGE SUPPORT TO KEEP TRACK OF SECTION 1, PANEL A.



**DO NOT OVERTIGHTEN
H100201 SCREWS**

STEP 25B- ROOF PANEL 'A' ASSEMBLY

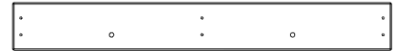
QTY	PART NUMBER	DESCRIPTION
12	H100391	SCREW PFH 8x2 BLK
4	H100379	T-NUT 5/16 BLK
12	H100201	SCREW PFH 8x2 1/2 BLK

E04 RAFTER - W4L21176
(x2) 1 7/16"x3 3/8"x95 1/16" (36x86x2414)

E08 RAFTER - W4L21799
(x2) 1 7/16"x3 3/8"x95 1/16" (36x86x2414)

E07 RAFTER - W4L21561
(x2) 1 7/16"x3 3/8"x95 1/16" (36x86x2414)

E10 TRIM BOARD - W4L21904
(x1) 1 9/16"x3 3/8"x71 5/8" (36x86x1820)



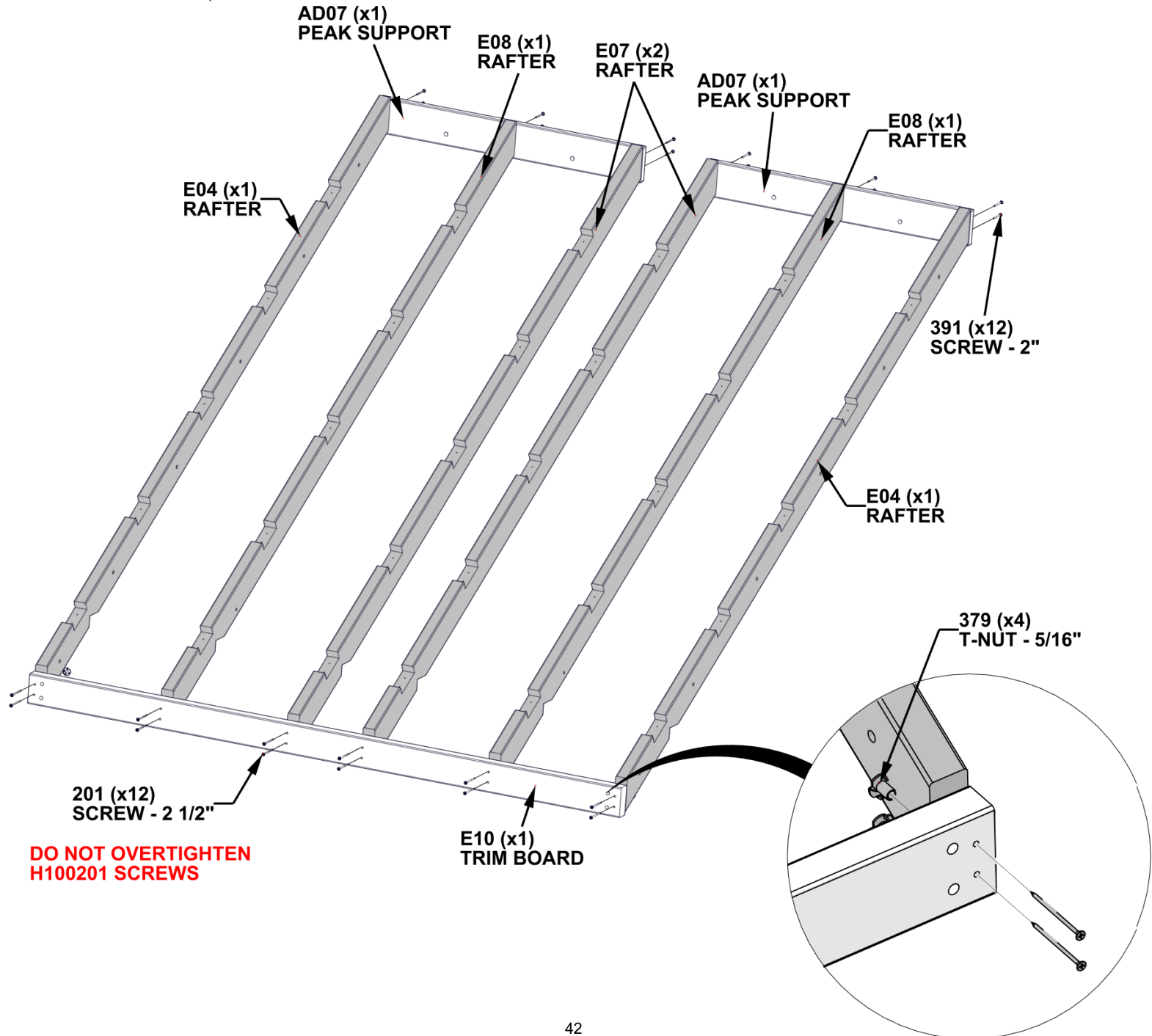
AD07 PEAK SUPPORT - W4L21975
(x2) 15/16"x4"x31 15/16" (24x102x812)

- INSERT T-NUTS FIRST, FAILURE TO DO SO WILL RESULT IN INCORRECT ASSEMBLY.

- ALIGN AD07 AND E10 WITH PILOT HOLES IN RAFTER BOARDS.

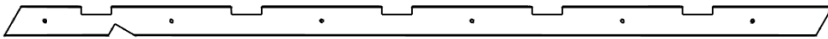
- NOTE HOLES IN AD07 BOARDS ARE TOWARD THE BOTTOM.

- TO HELP WITH ORGANIZATION, WE SUGGEST LABELING 'S2A' ON THE SCREW SIDE OF AD07 PEAK SUPPORT TO KEEP TRACK OF SECTION 2, PANEL A.

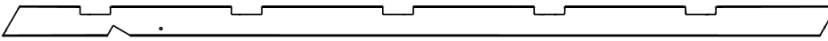


STEP 25C- ROOF PANEL 'A' ASSEMBLY

QTY	PART NUMBER	DESCRIPTION
8	H100391	SCREW PFH 8x2 BLK
2	H100379	T-NUT 5/16 BLK
8	H100201	SCREW PFH 8x2 1/2 BLK



E04 RAFTER - W4L21176
(x1) 1 7/16"x3 3/8"x95 1/16" (36x86x2414)



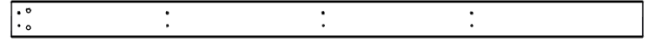
E08 RAFTER - W4L21799
(x1) 1 7/16"x3 3/8"x95 1/16" (36x86x2414)



E07 RAFTER - W4L21561
(x2) 1 7/16"x3 3/8"x95 1/16" (36x86x2414)



AD08 PEAK SUPPORT - W4L21902
(x1) 15/16"x4"x43 7/16" (24x102x1103)



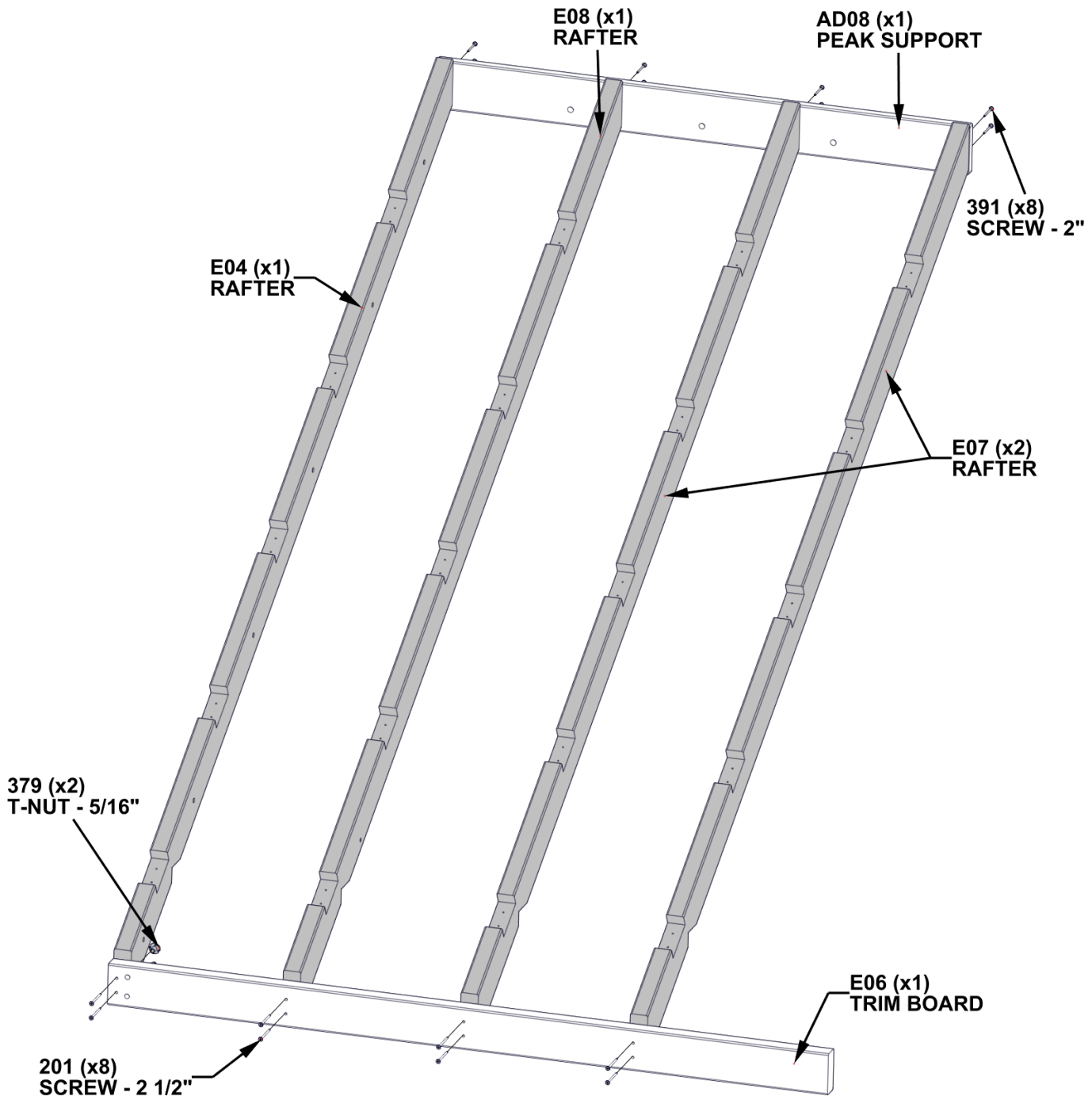
E06 TRIM BOARD - W4L21896
(x1) 7 5/16"x3 3/8"x58 9/16" (36x86x1488)

- INSERT T-NUTS FIRST, FAILURE TO DO SO WILL RESULT IN INCORRECT ASSEMBLY.

- ALIGN AD08 AND E06 WITH PILOT HOLES IN RAFTER BOARDS.

- NOTE HOLES IN AD08 BOARD ARE TOWARD THE BOTTOM.

- TO HELP WITH ORGANIZATION, WE SUGGEST LABELING 'S3A' ON THE SCREW SIDE OF AD08 RIDGE SUPPORT TO KEEP TRACK OF SECTION 3, PANEL A.

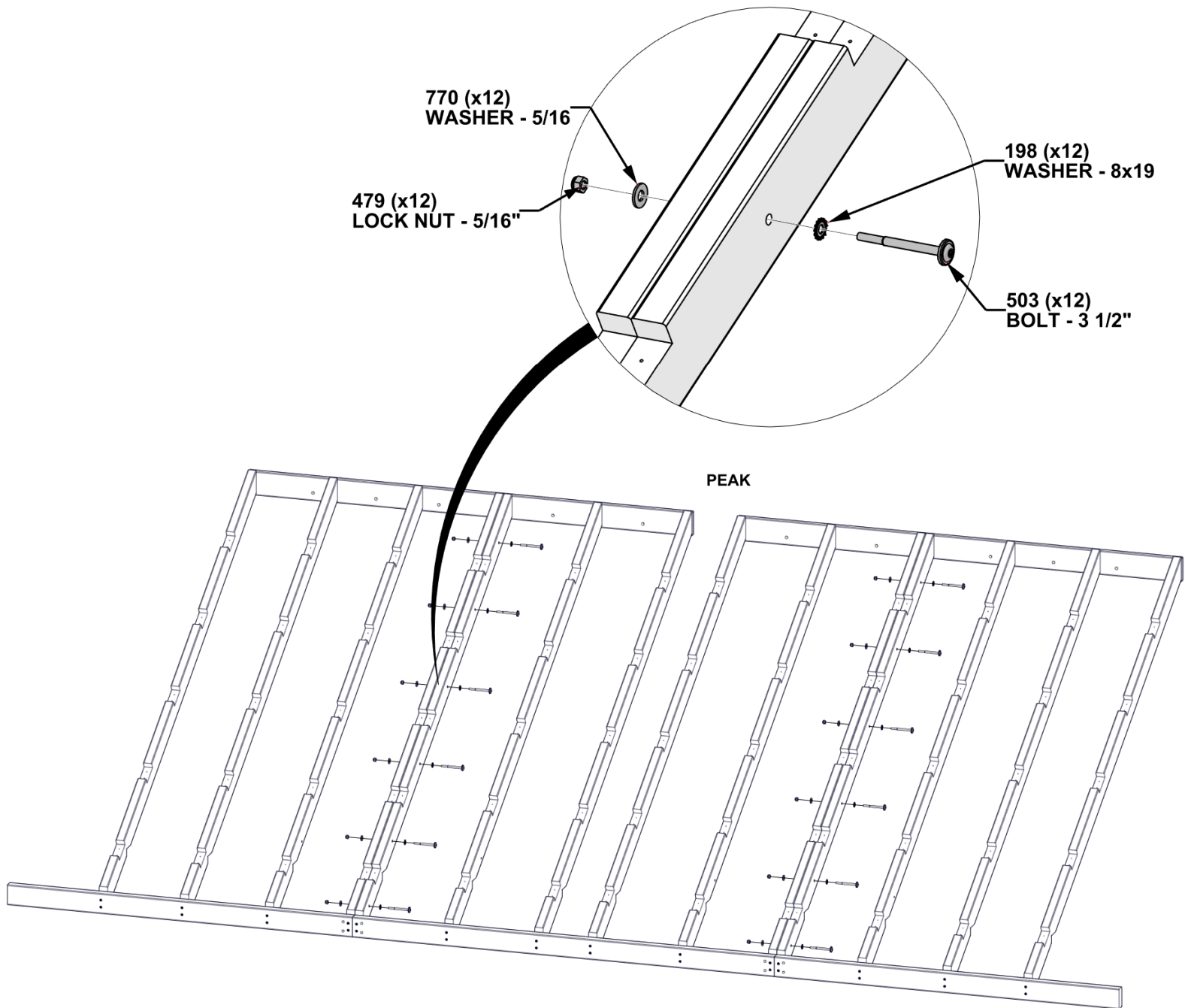


**DO NOT OVERTIGHTEN
H100201 SCREWS**

STEP 25D- ROOF PANEL 'A' ASSEMBLY

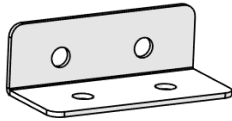
QTY	PART NUMBER	DESCRIPTION
12	H100770	WASHER FLAT 5/16 BLK
12	H100503	BOLT WH 5/16x3 1/2 BLK
12	H100479	NUT LOCK 5/16 BLK
12	H100198	WASHER LOCK EXT 8x19

- ALIGN HOLES IN MIDDLE RAFTERS AND FASTEN HARDWARE AS SHOWN.

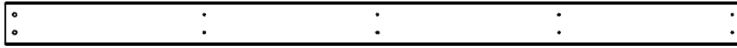


STEP 25E - ROOF PANEL 'A' ASSEMBLY

QTY	PART NUMBER	DESCRIPTION
20	H100398	TNUT-1/4" BLK
20	H100171	BOLT WH 1/4x1 BLK

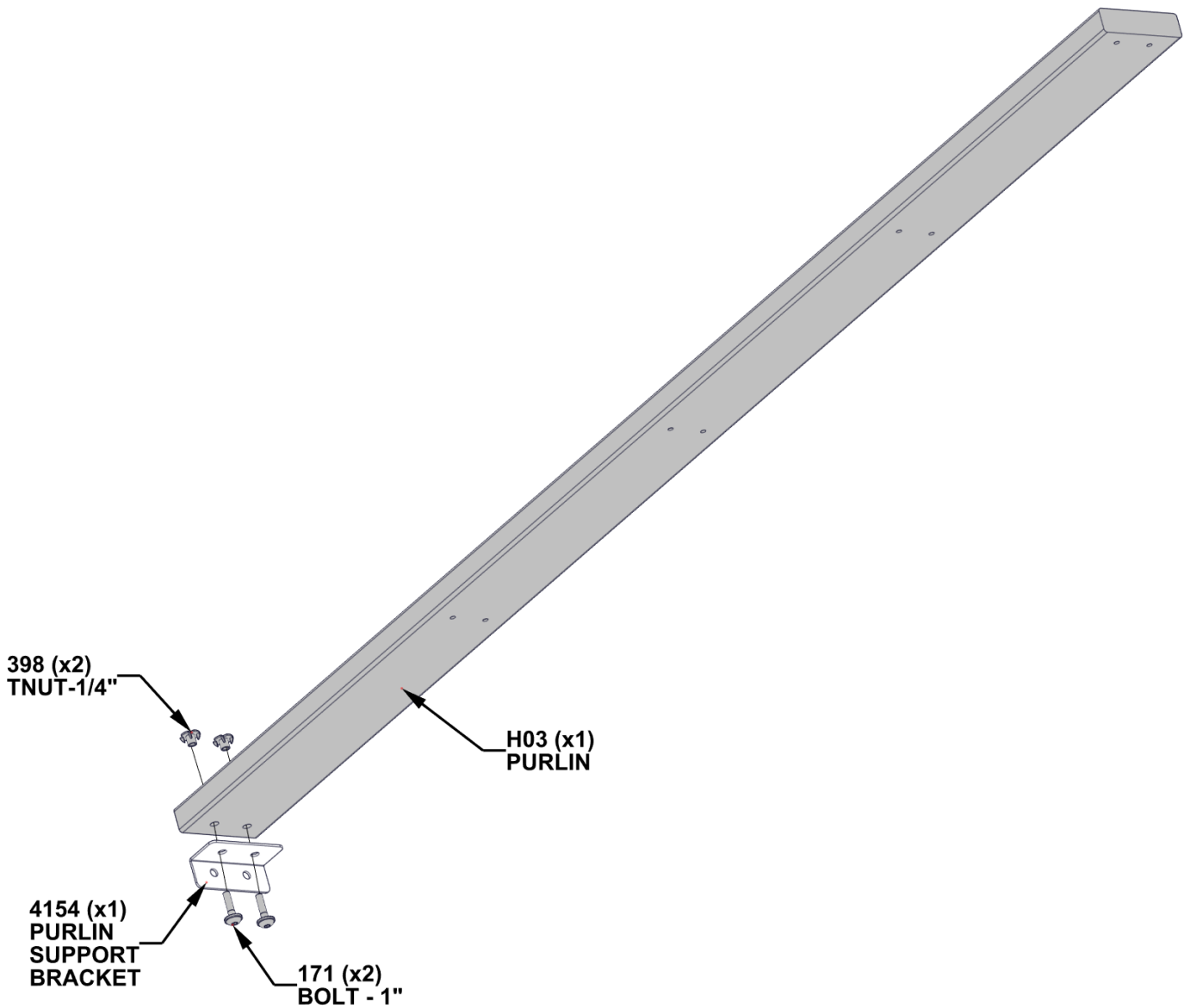


A4M04154 PURLIN SUPPORT BRACKET
(x10)



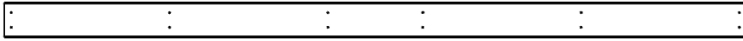
H03 PURLIN - W4L21898
(x10) 15/16"x3 3/8"x58 1/2" (24x86x1486)

- INSERT T-NUTS FIRST.**
- LONG SECTION OF 4154 BRACKET ATTACHES TO H03 PURLIN.
- COMPLETE THIS STEP 10 TIMES.

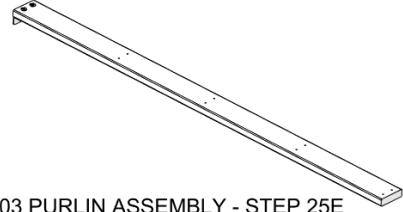


STEP 25F - ROOF PANEL 'A' ASSEMBLY

QTY	PART NUMBER	DESCRIPTION
140	H100391	SCREW PFH 8x2 BLK

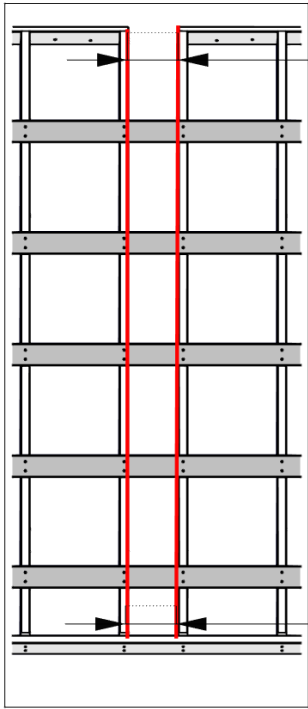


H02 PURLIN - W4L21956
(x5) 15/16"x3 3/8"x71 9/16" (24x86x1818)



H03 PURLIN ASSEMBLY - STEP 25E
(x10)

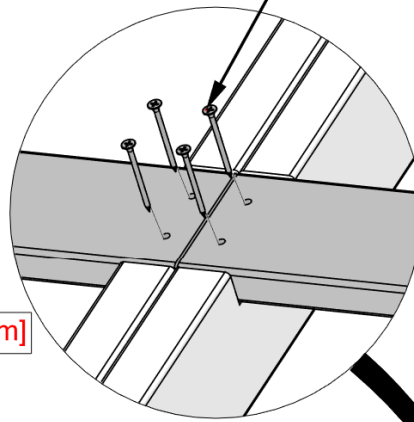
- ALIGN PURLINS WITH PILOT HOLES IN RAFTERS.



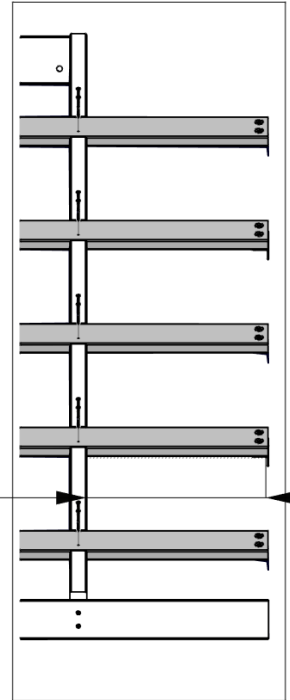
7-15/16" [203mm]

ENSURE THAT THE MIDDLE TWO RAFTERS ARE PARALLEL, THESE DIMENSIONS ARE CRITICAL. FAILURE TO FOLLOW WILL CAUSE ROOF TO BE OUT OF SQUARE AND REMAINING ASSEMBLY WILL NOT LINE UP.

7-15/16" [203mm]



391 (x140)
SCREW - 2"



15-1/8" [384mm]

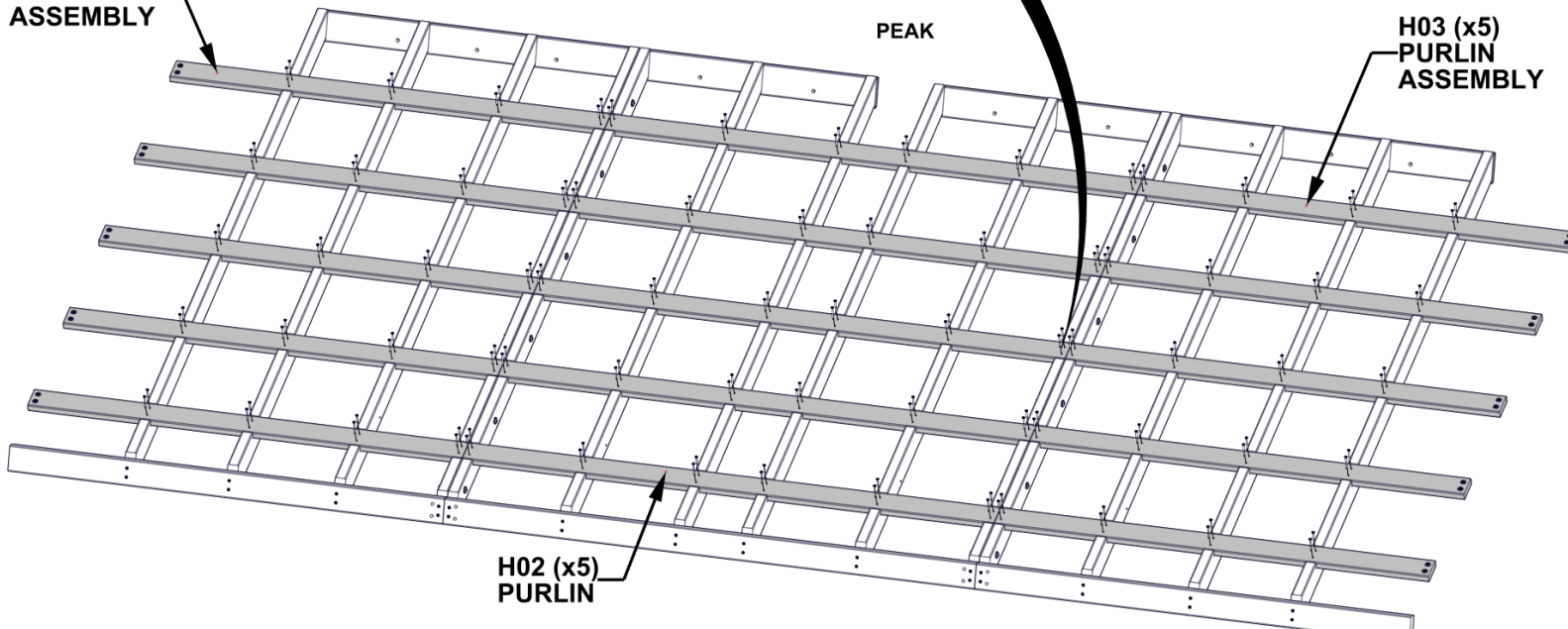
OVERHANG DISTANCE FOR PURLINS IS 15-1/8" [384mm] FROM END OF PURLIN TO RAFTER BOARD ON BOTH ENDS.

H03 (x5)
PURLIN
ASSEMBLY

PEAK

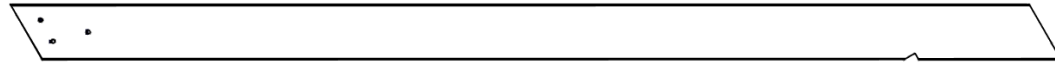
H03 (x5)
PURLIN
ASSEMBLY

H02 (x5)
PURLIN

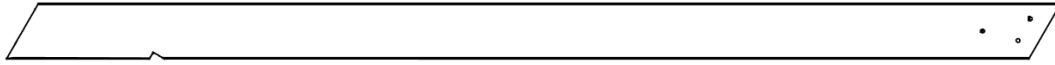


STEP 25G - ROOF PANEL 'A' ASSEMBLY

QTY	PART NUMBER	DESCRIPTION
20	H100460	LAG SCREW WH 1/4x1 BLK
6	H100379	T-NUT 5/16 BLK



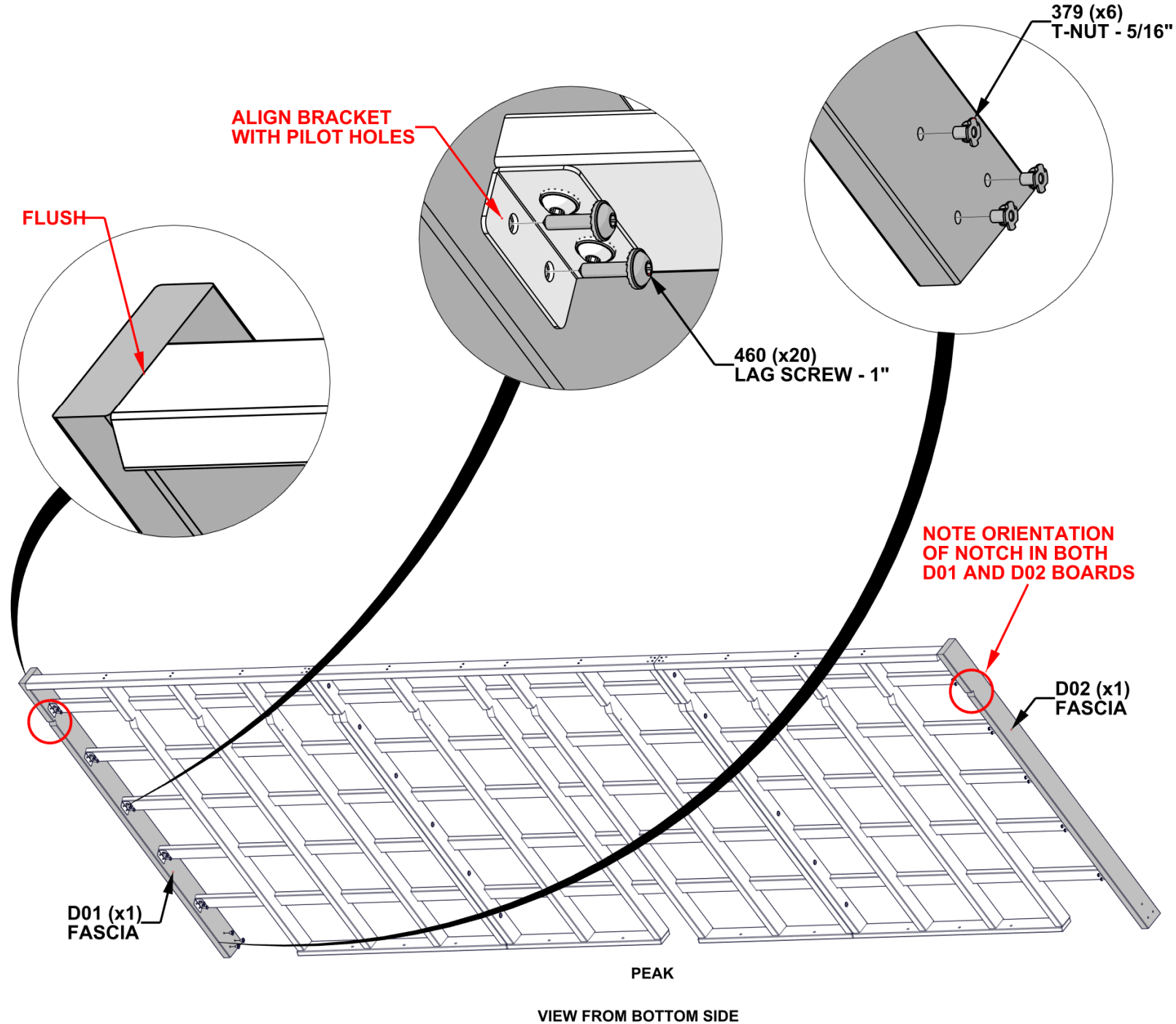
D01 FASCIA - W4L21164
(x1) 1 7/16"x5 1/4"x100" (36x134x2540)



D02 FASCIA - W4L21175
(x1) 1 7/16"x5 1/4"x100" (36x134x2540)

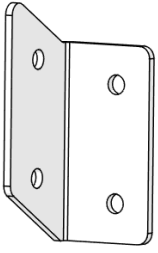
- INSERT T-NUTS FIRST.

- ALIGN D01 AND D02 PILOT HOLES WITH HOLES IN 4154 BRACKETS ATTACHED IN PREVIOUS STEP.

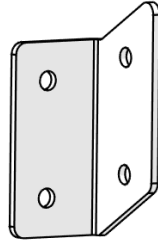


STEP 25H - ROOF PANEL 'A' ASSEMBLY

QTY	PART NUMBER	DESCRIPTION
8	H100797	SCREW PWH 8x1 BLK

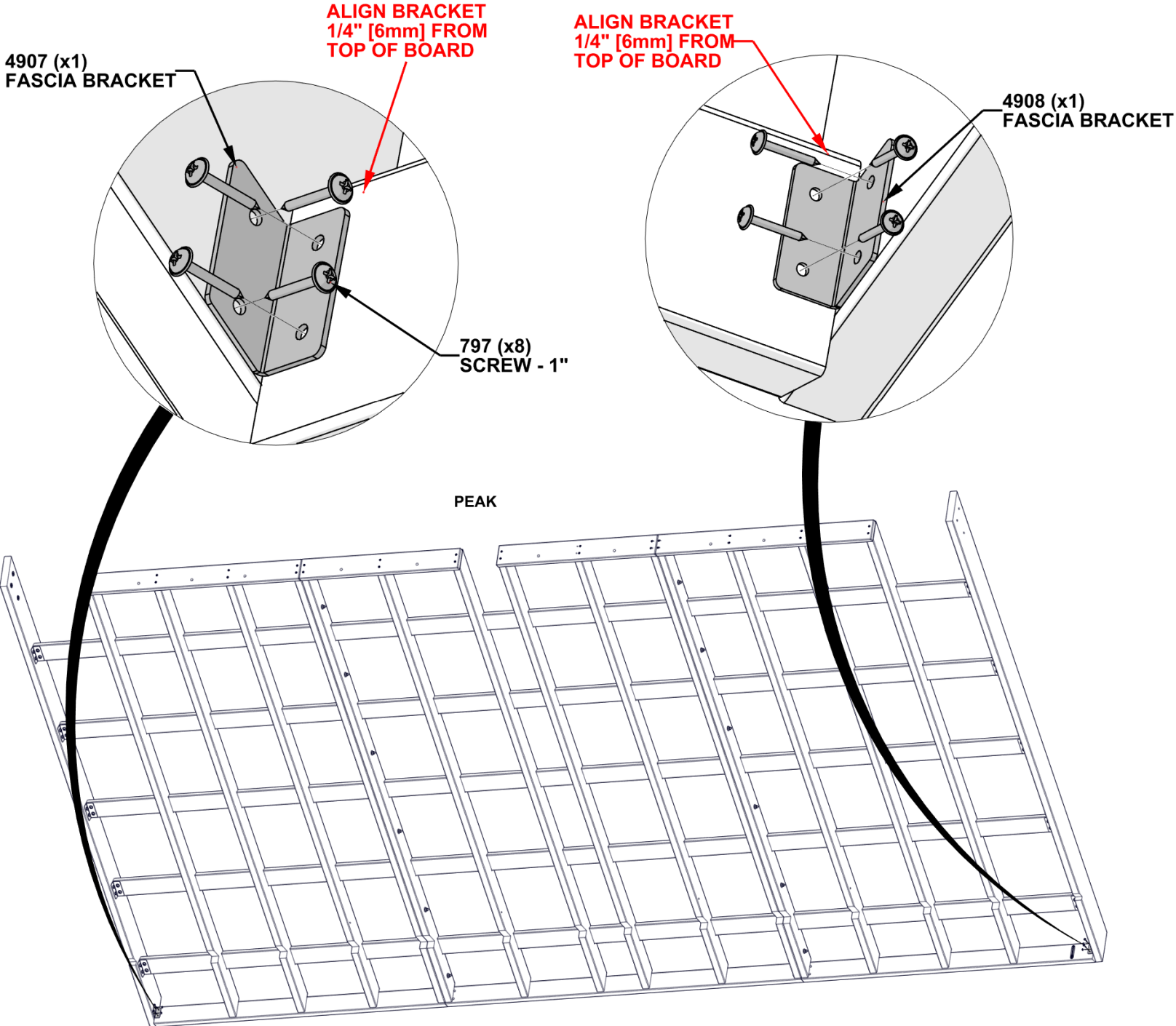


A4M04907 FASCIA BRACKET
(x1)



A4M04908 FASCIA BRACKET
(x1)

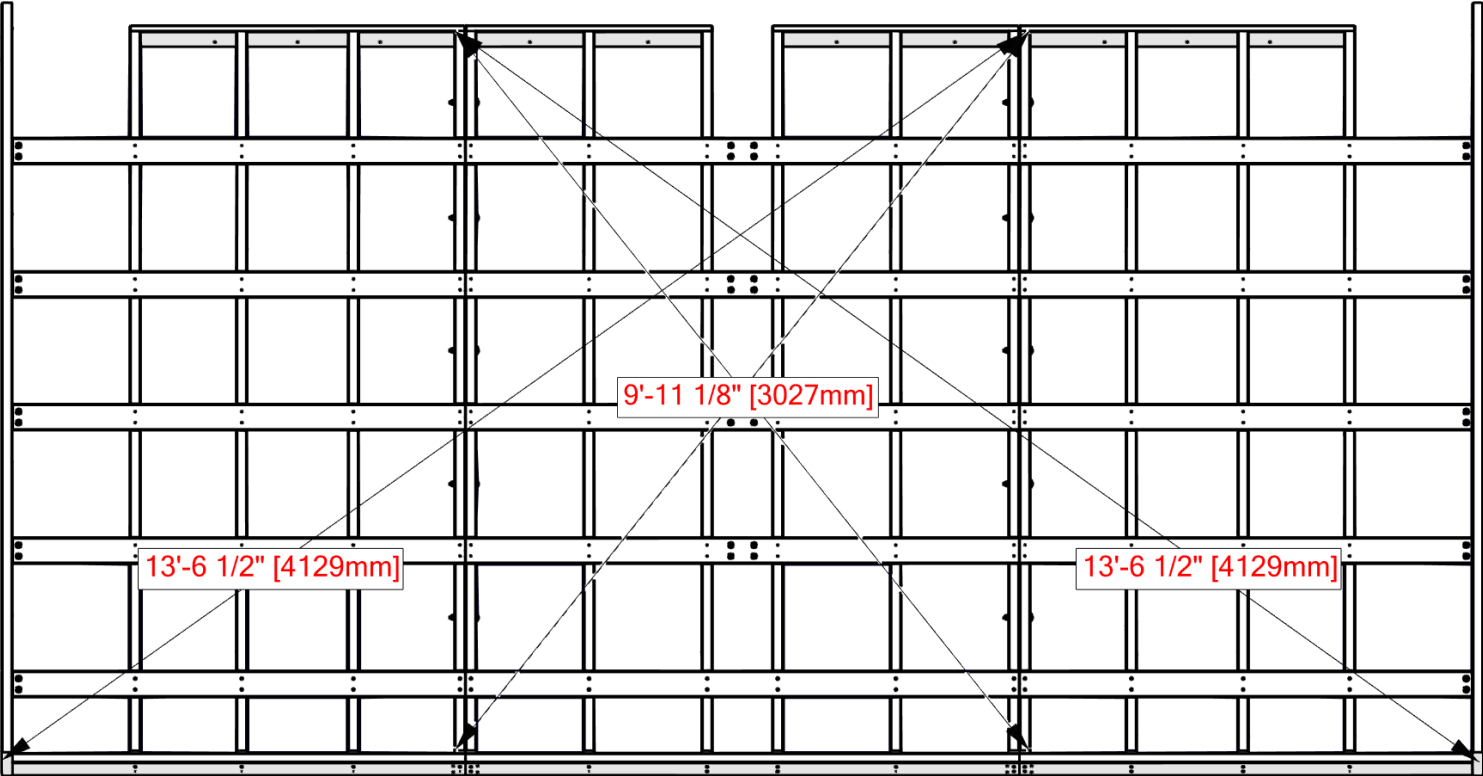
- ALIGN BRACKET 1/4" [6mm] FROM TOP OF TRIM BOARD AS SHOWN.
- ATTACH FASCIA BRACKET 4907 AND 4908 BY DRILLING A 1/8" [3mm] PILOT HOLE AND FASTENING WITH 797 SCREWS.



STEP 25I - ROOF PANEL 'A' ASSEMBLY

CRITICAL:

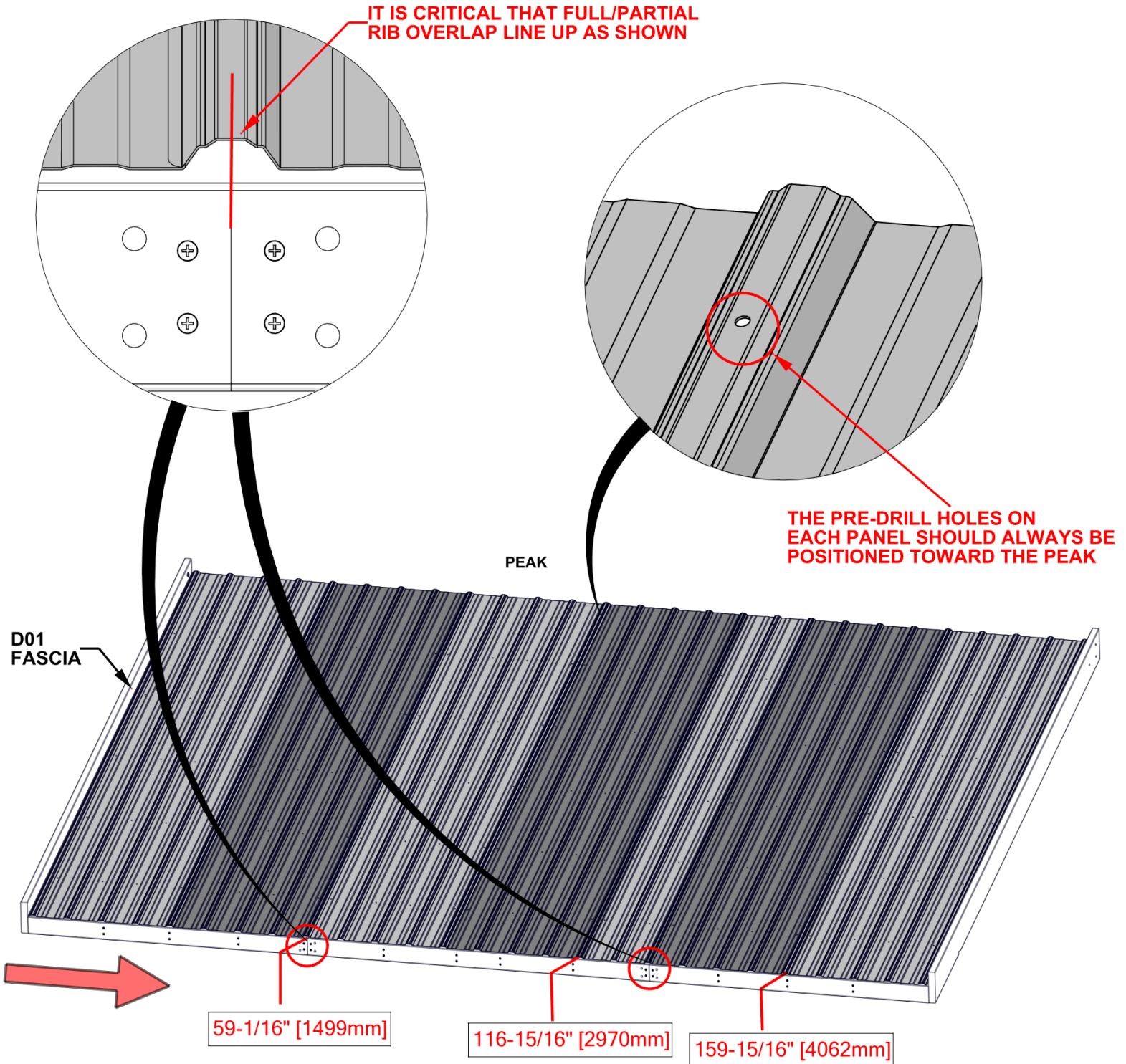
- SQUARE UNIT BEFORE PROCEEDING TO NEXT STEPS.
- THE BELOW DIMENSIONS ARE CRITICAL TO THE FINAL ROOF ASSEMBLY.
- MEASUREMENTS BELOW SHOULD BE HELD WITHIN +/- 1/4" [6mm].
- MEASUREMENTS OUTSIDE OF TOLERANCE WILL LEAD TO THE INABILITY TO ASSEMBLE THE ROOF.



TIP: LOOSEN HARDWARE TO ADJUST FOR SQUARING IF NEEDED.

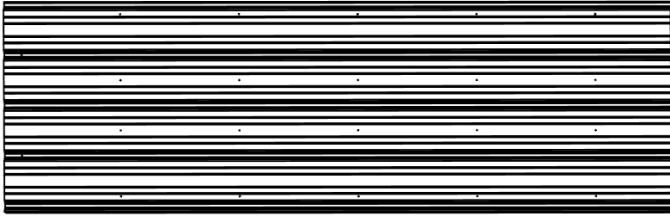
STEP 26 - ROOF PANEL 'A' ASSEMBLY

- USE THIS PAGE TO FAMILIARIZE YOURSELF WITH THE ROOF PANEL AND ASSIST YOU IN STEPS 27-31.
- REMOVE PROTECTIVE BLUE FILM.
- START AT THE END INDICATED AND ASSEMBLE IN THE DIRECTION OF THE ARROW.
- **GLOVES SHOULD BE WORN WHEN HANDLING ROOF PANELS: EDGES ARE SHARP.**
- **START BY PLACING FIRST SHEET 1/8" [3mm] FROM D01 FASCIA BOARD, THEN MARK WHERE EVERY OTHER SHEET WITH LAND AS SHOWN BELOW TO ENSURE THE PANELS WILL ALIGN CORRECTLY. THE LAST SHEET SHOULD ALIGN CLOSE TO THE EDGE OF THE D01 FASCIA BOARD.**

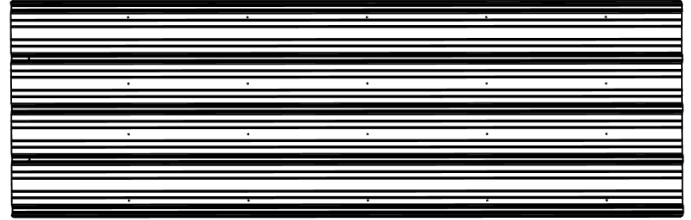


STEP 27 - ROOF PANEL 'A' ASSEMBLY

QTY	PART NUMBER	DESCRIPTION
40	H101117	SCREW WOODGRIP 10-16x3/4" BLK

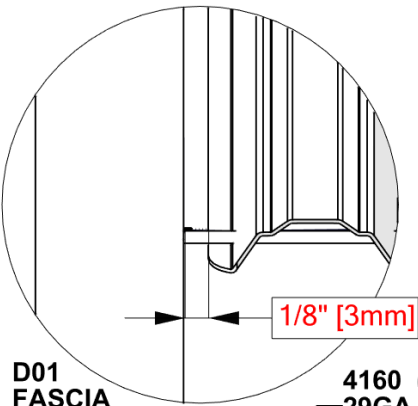
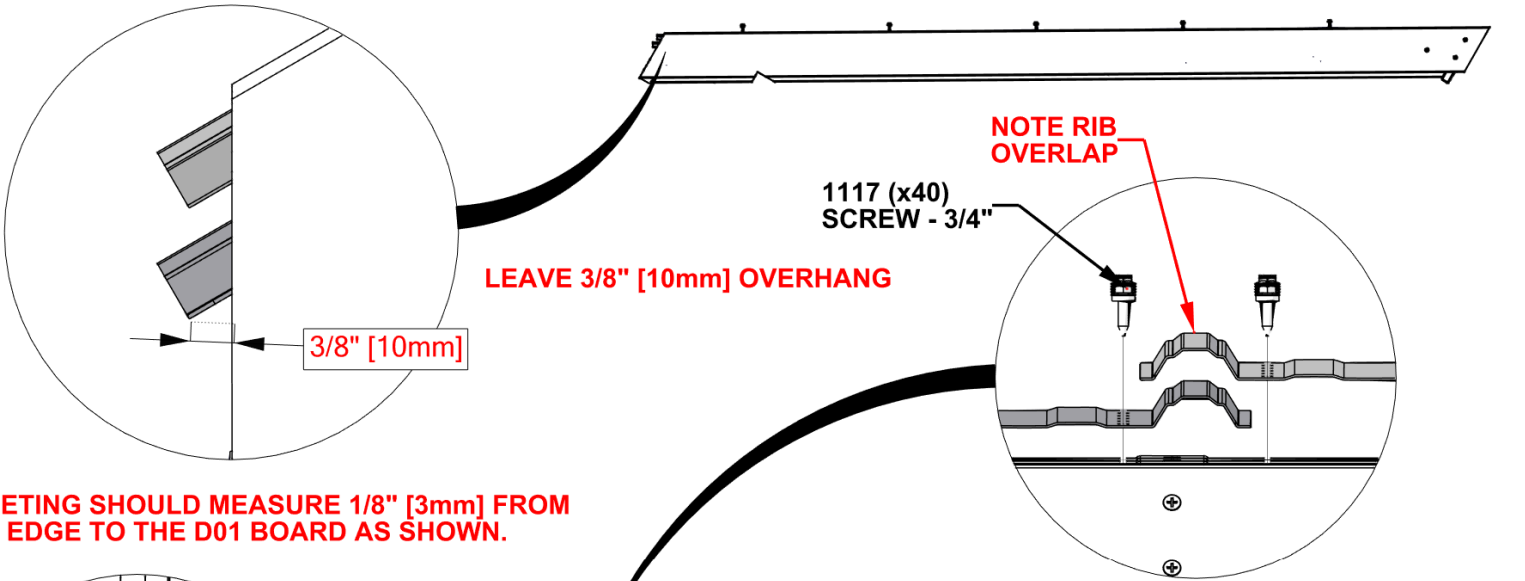


A4M04160 29GA STEEL SHEETING
(x1)

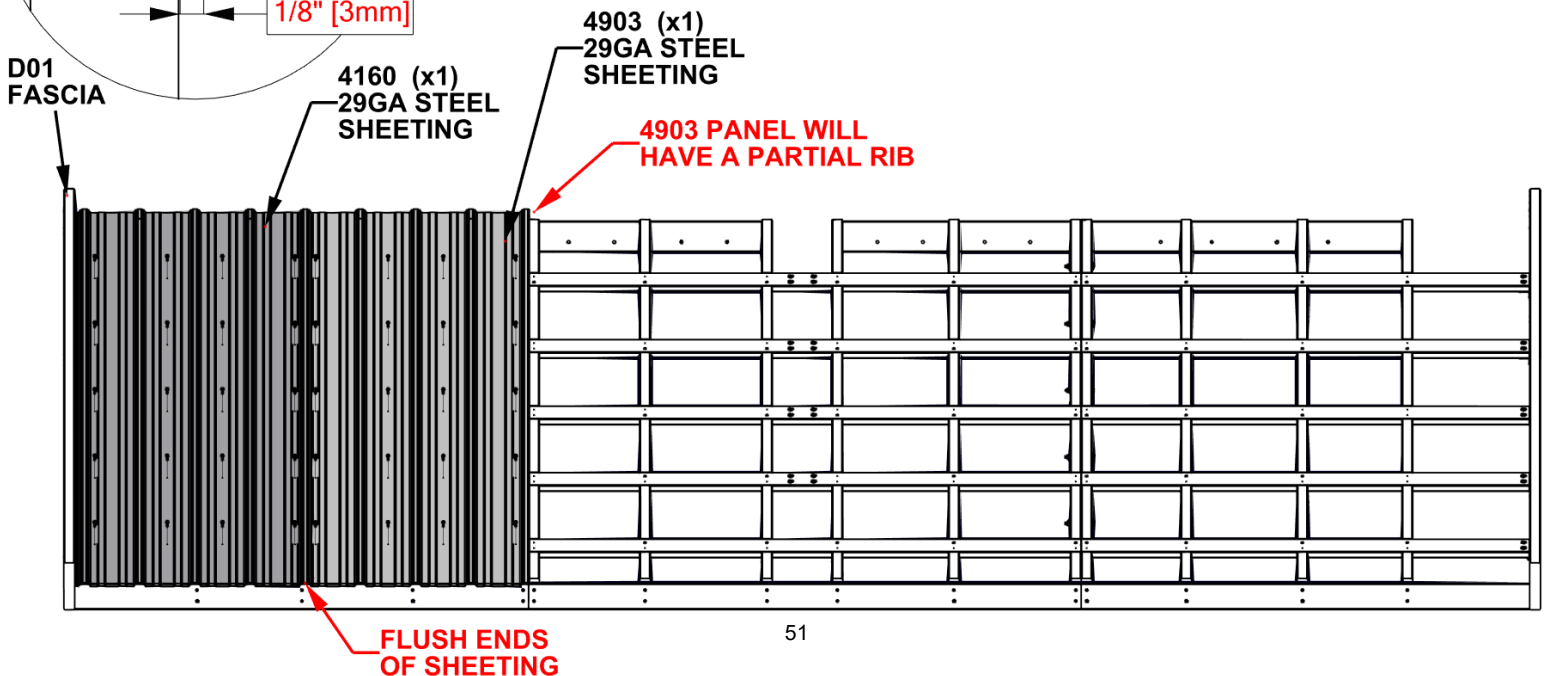


A4M04903 29GA STEEL SHEETING
(x1)

- MAKE SURE ROOF PANEL IS SQUARE BEFORE MOVING ON.

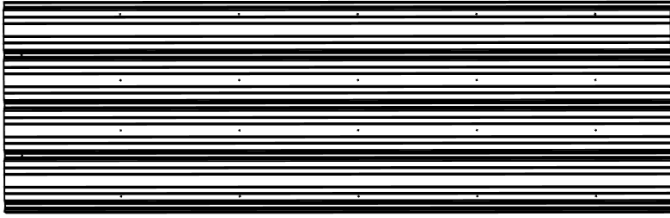


**MEASUREMENT FROM D01 BOARD TO END OF 4903 PANEL IS:
59-1/16" [1499mm]**



STEP 28 - ROOF PANEL 'A' ASSEMBLY

QTY	PART NUMBER	DESCRIPTION
50	H101117	SCREW WOODGRIP 10-16x3/4" BLK

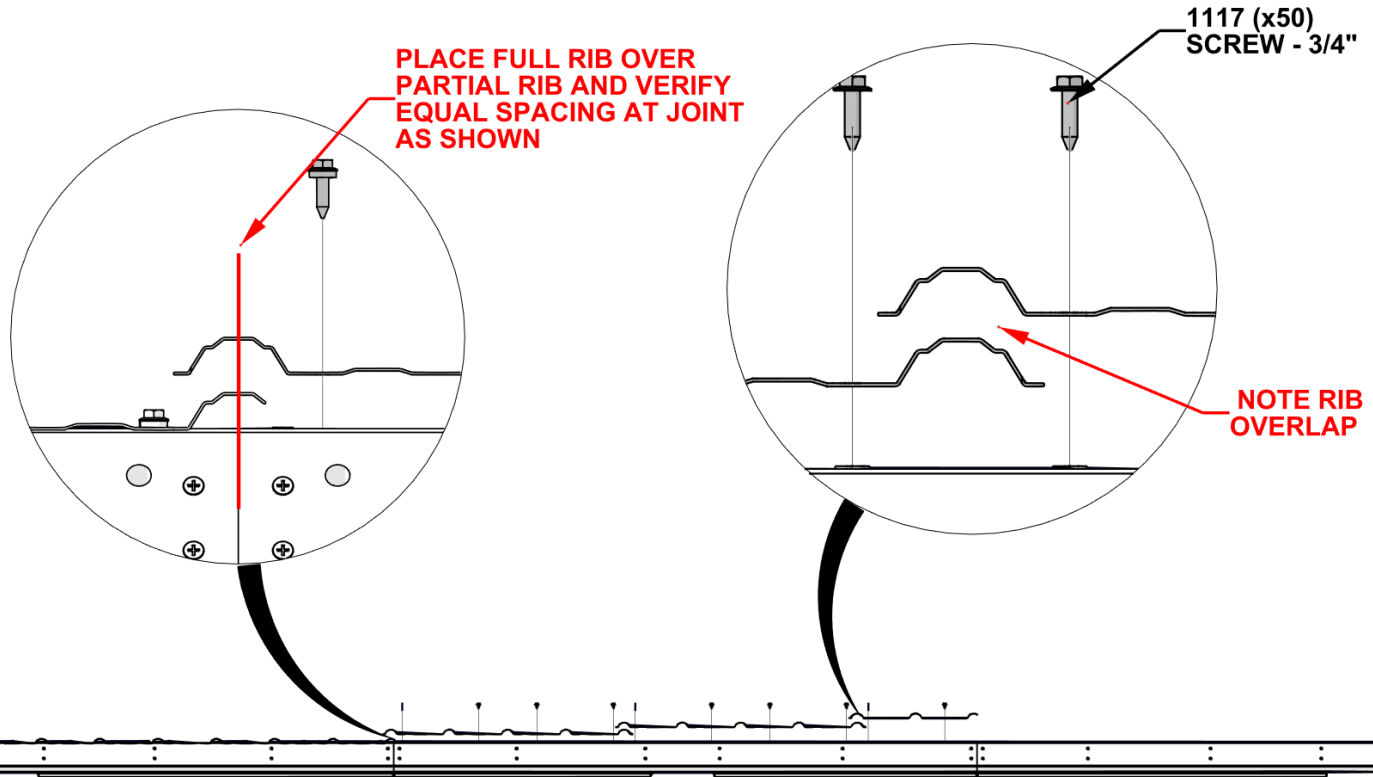


A4M04160 29GA STEEL SHEETING (x2)

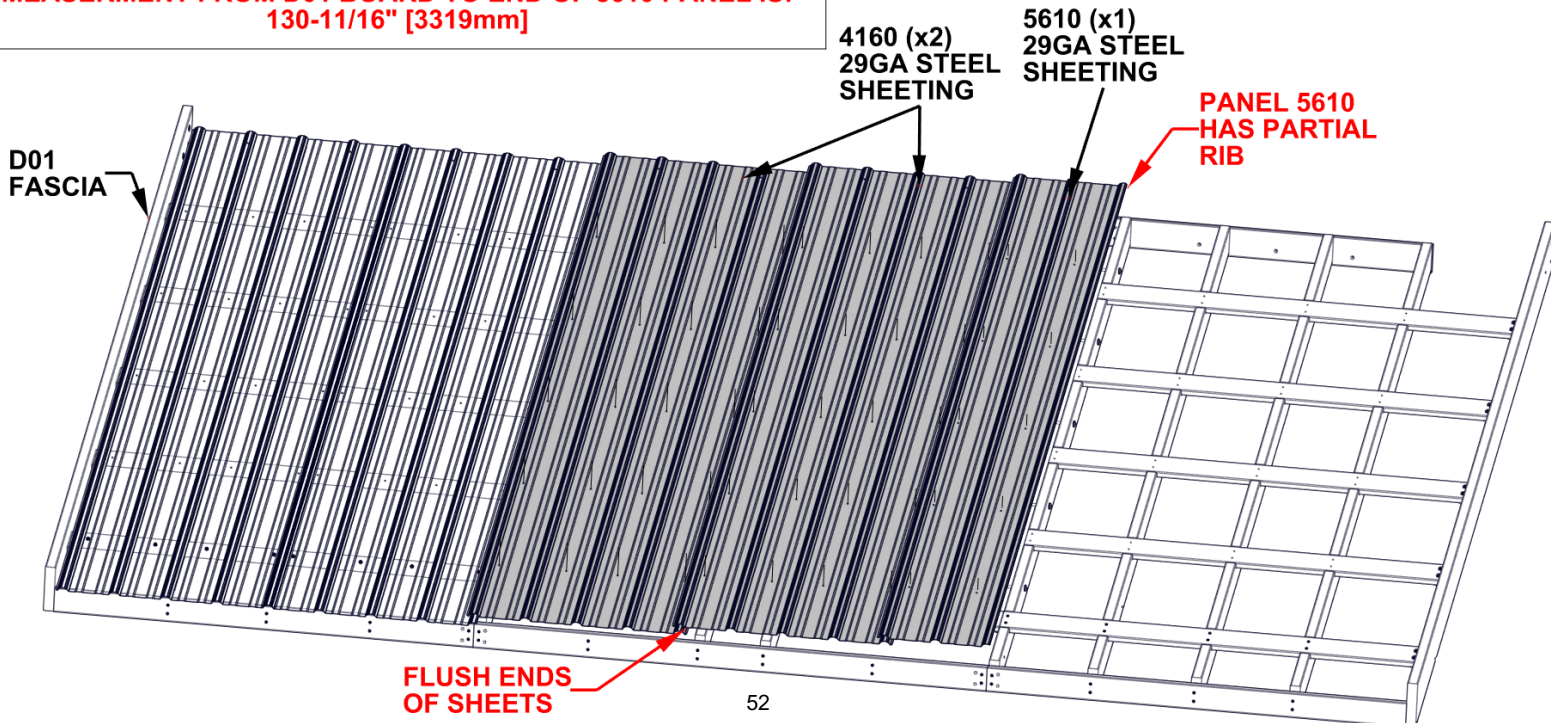


A4M05610 29GA STEEL SHEETING (x1)

- PANEL A4M05610 WILL HAVE A PARTIAL RIB AS SHOWN BELOW.



**MEASUREMENT FROM D01 BOARD TO END OF 5610 PANEL IS:
130-11/16" [3319mm]**



STEP 29 - ROOF PANEL 'A' ASSEMBLY

QTY	PART NUMBER	DESCRIPTION
40	H101117	SCREW WOODGRIP 10-16x3/4" BLK

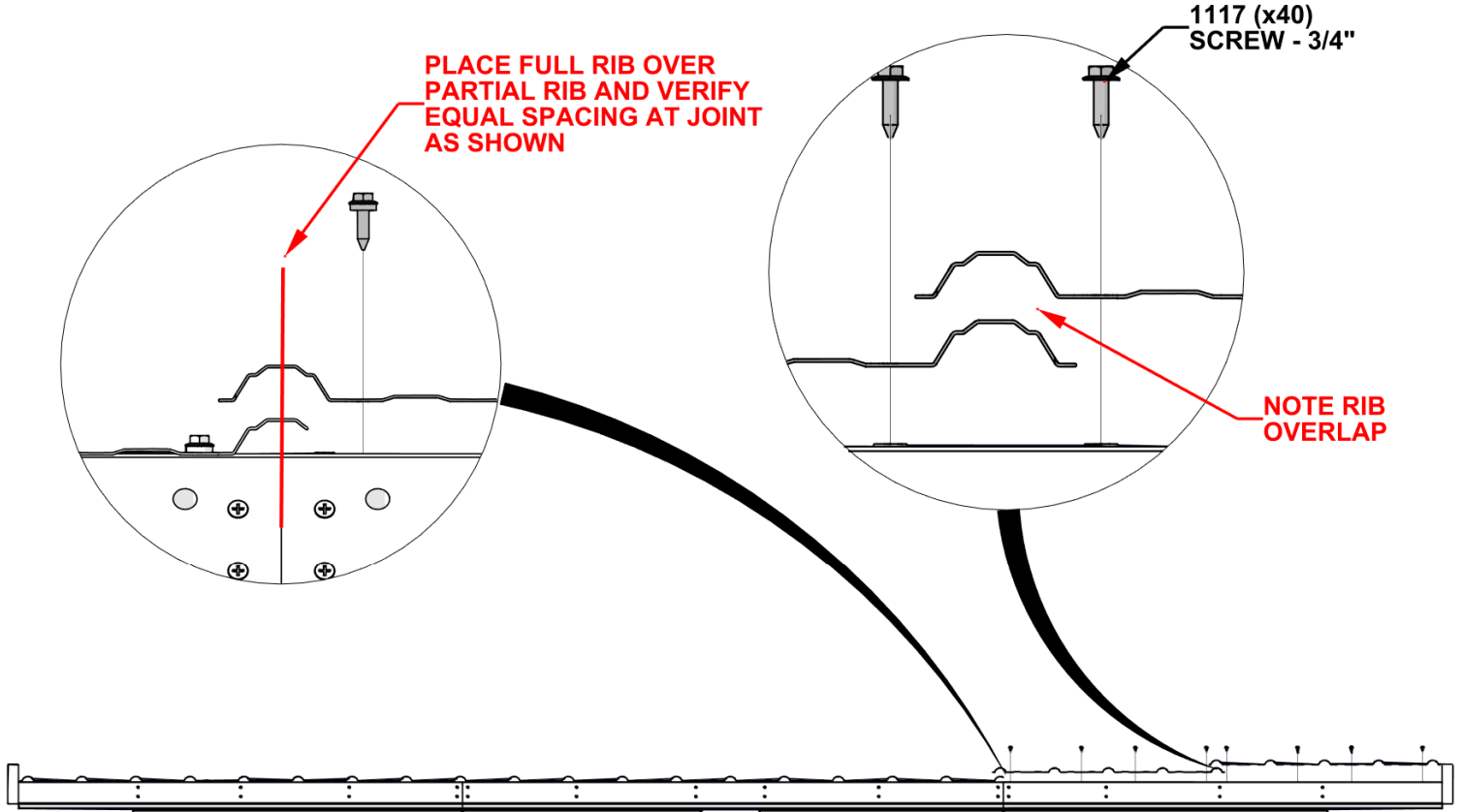


A4M04160 29GA STEEL SHEETING
(x2)

**PLACE FULL RIB OVER
PARTIAL RIB AND VERIFY
EQUAL SPACING AT JOINT
AS SHOWN**

**1117 (x40)
SCREW - 3/4"**

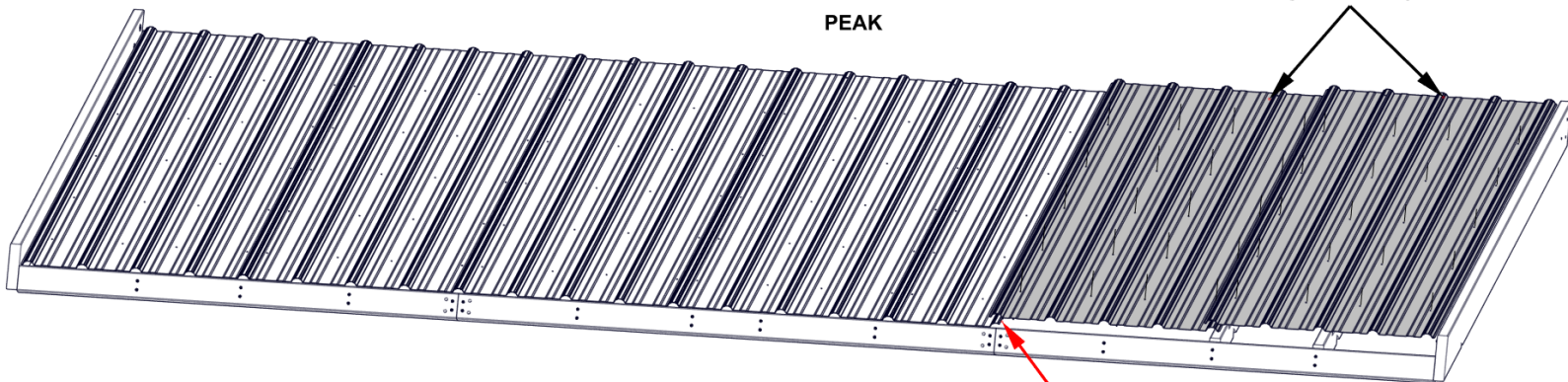
**NOTE RIB
OVERLAP**



**4160 (x1)
29GA
STEEL
SHEETING**

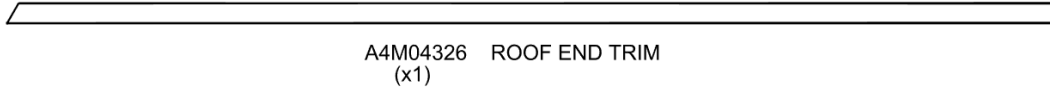
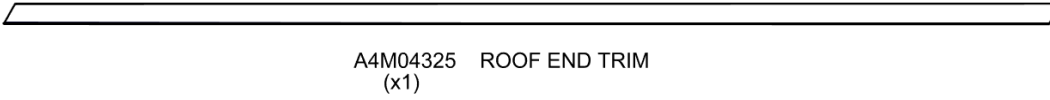
PEAK

FLUSH ENDS OF SHEETS

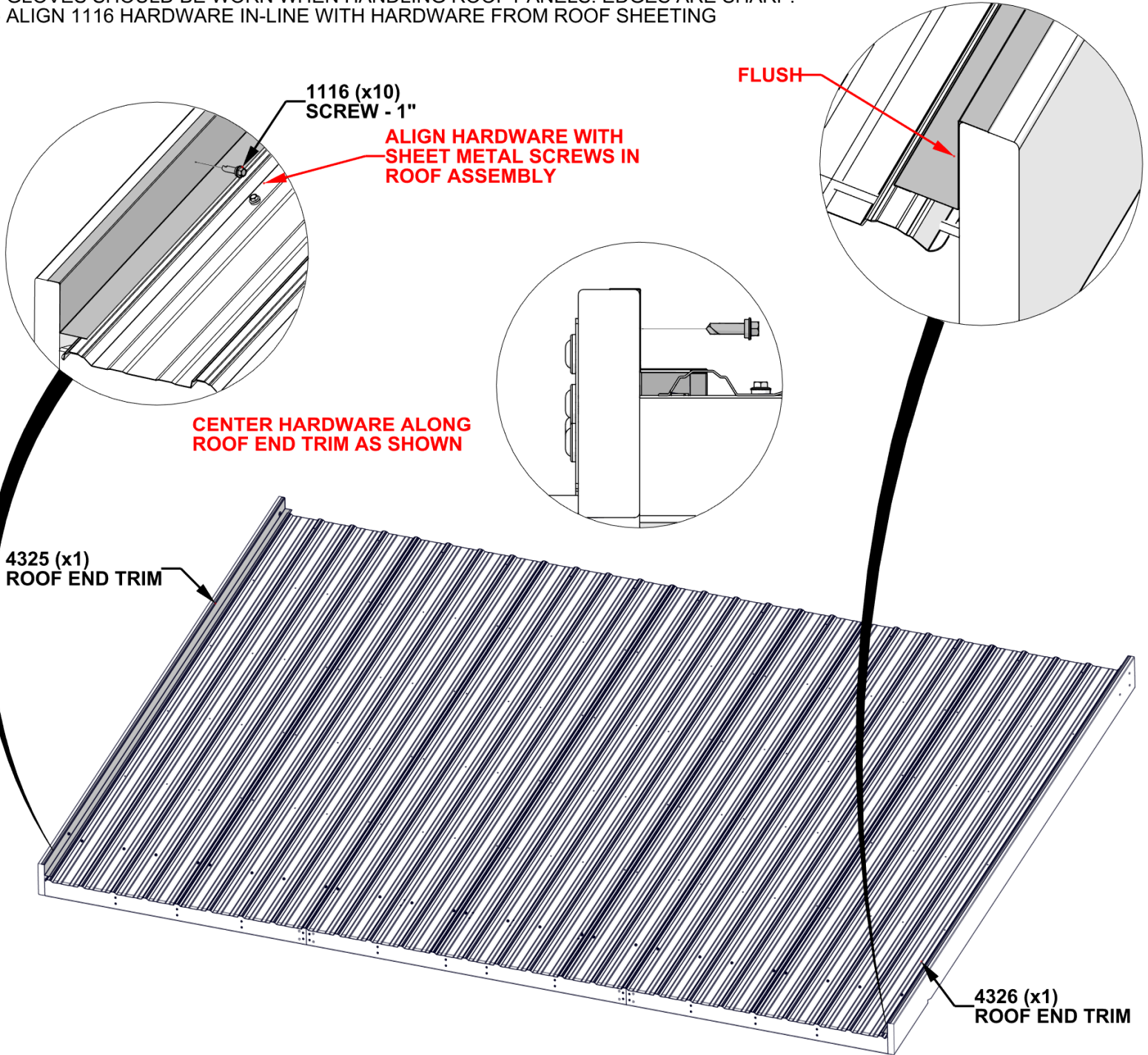


STEP 30 - ROOF PANEL 'A' ASSEMBLY

QTY	PART NUMBER	DESCRIPTION
10	H101116	SCREW SELF TAPPING 1/4x1 BLK

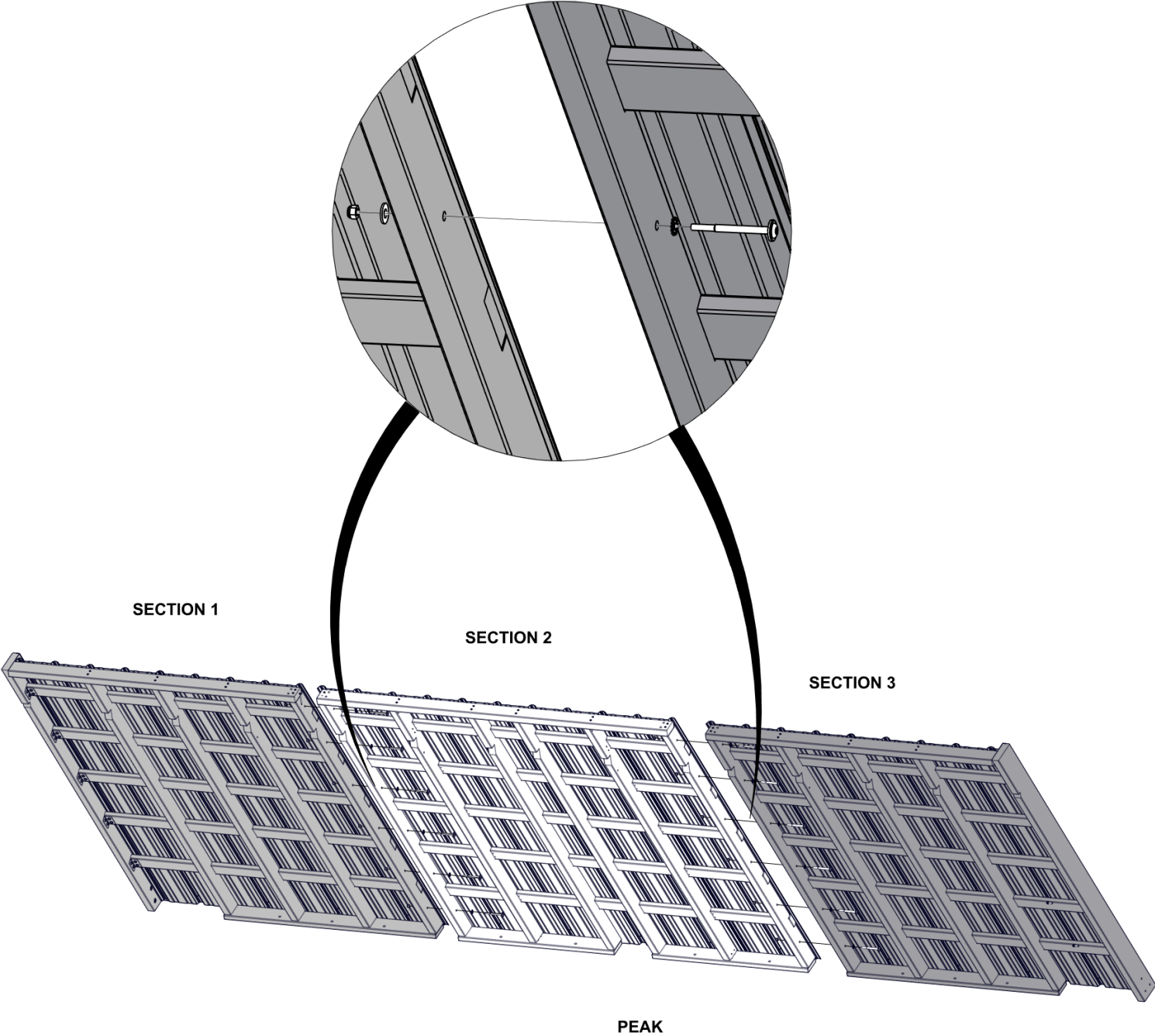


- REMOVE PROTECTIVE BLUE FILM.
- GLOVES SHOULD BE WORN WHEN HANDLING ROOF PANELS: EDGES ARE SHARP.
- ALIGN 1116 HARDWARE IN-LINE WITH HARDWARE FROM ROOF SHEETING



STEP 31 - ROOF PANEL 'A' ASSEMBLY

- SEPERATE ROOF PANEL FOR EASE OF ASSEMBLY.
- REMOVE HARDWARE AND SET ASIDE. IT WILL BE USED AGAIN AFTER BOTH SECTIONS ARE INSTALLED.

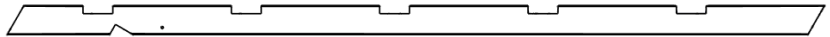


STEP 32A - ROOF PANEL 'B' ASSEMBLY

QTY	PART NUMBER	DESCRIPTION
8	H100391	SCREW PFH 8x2 BLK
2	H100379	T-NUT 5/16 BLK
8	H100201	SCREW PFH 8x2 1/2 BLK



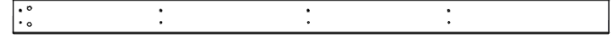
E04 RAFTER - W4L21176
(x1) 1 7/16"x3 3/8"x95 1/16" (36x86x2414)



E08 RAFTER - W4L21799
(x1) 1 7/16"x3 3/8"x95 1/16" (36x86x2414)



E07 RAFTER - W4L21561
(x2) 1 7/16"x3 3/8"x95 1/16" (36x86x2414)



E06 TRIM BOARD - W4L21896
(x1) 7 5/16"x3 3/8"x58 9/16" (36x86x1488)



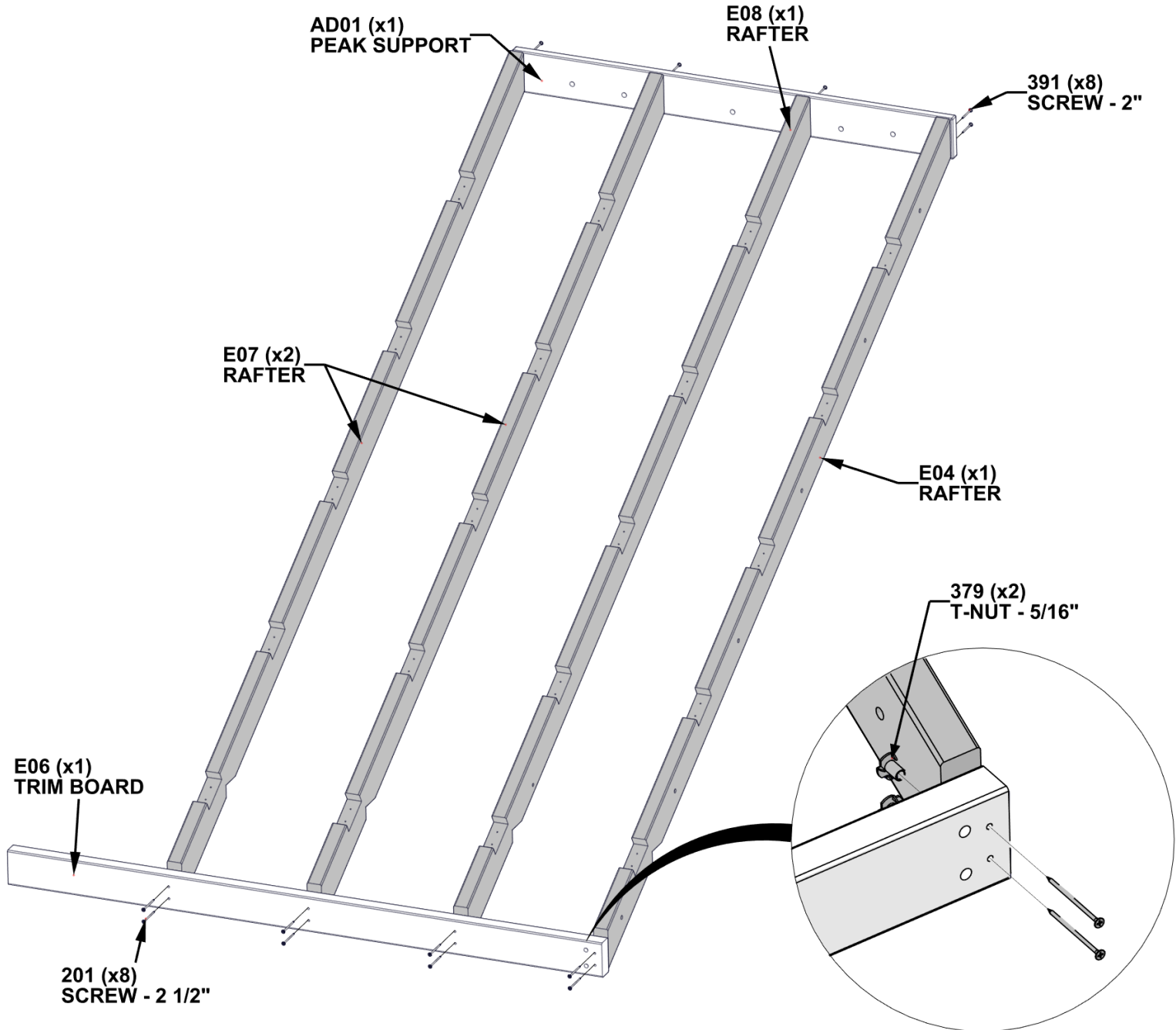
AD01 PEAK SUPPORT - W4L21900
(x1) 15/16"x4"x43 7/16" (24x102x1103)

- INSERT T-NUTS FIRST, FAILURE TO DO SO WILL RESULT IN INCORRECT ASSEMBLY.

- ALIGN AD01 AND E06 WITH PILOT HOLES IN RAFTER BOARDS.

- NOTE HOLES IN AD01 BOARD ARE TOWARD THE BOTTOM.

- TO HELP WITH ORGANIZATION, WE SUGGEST LABELING 'S1B' ON THE SCREW SIDE OF AD01 RIDGE SUPPORT TO KEEP TRACK OF SECTION 1, PANEL B.

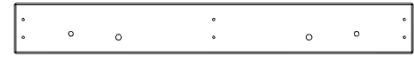


DO NOT OVERTIGHTEN H100201 SCREWS

STEP 32B - ROOF PANEL 'B' ASSEMBLY

E04	RAFTER - W4L21176
(x2)	1 7/16"x3 3/8"x95 1/16" (36x86x2414)
E08	RAFTER - W4L21799
(x2)	1 7/16"x3 3/8"x95 1/16" (36x86x2414)
E07	RAFTER - W4L21561
(x2)	1 7/16"x3 3/8"x95 1/16" (36x86x2414)
E10	TRIM BOARD - W4L21904
(x1)	1 9/16"x3 3/8"x71 5/8" (36x86x1820)

QTY	PART NUMBER	DESCRIPTION
12	H100391	SCREW PFH 8x2 BLK
4	H100379	T-NUT 5/16 BLK
12	H100201	SCREW PFH 8x2 1/2 BLK



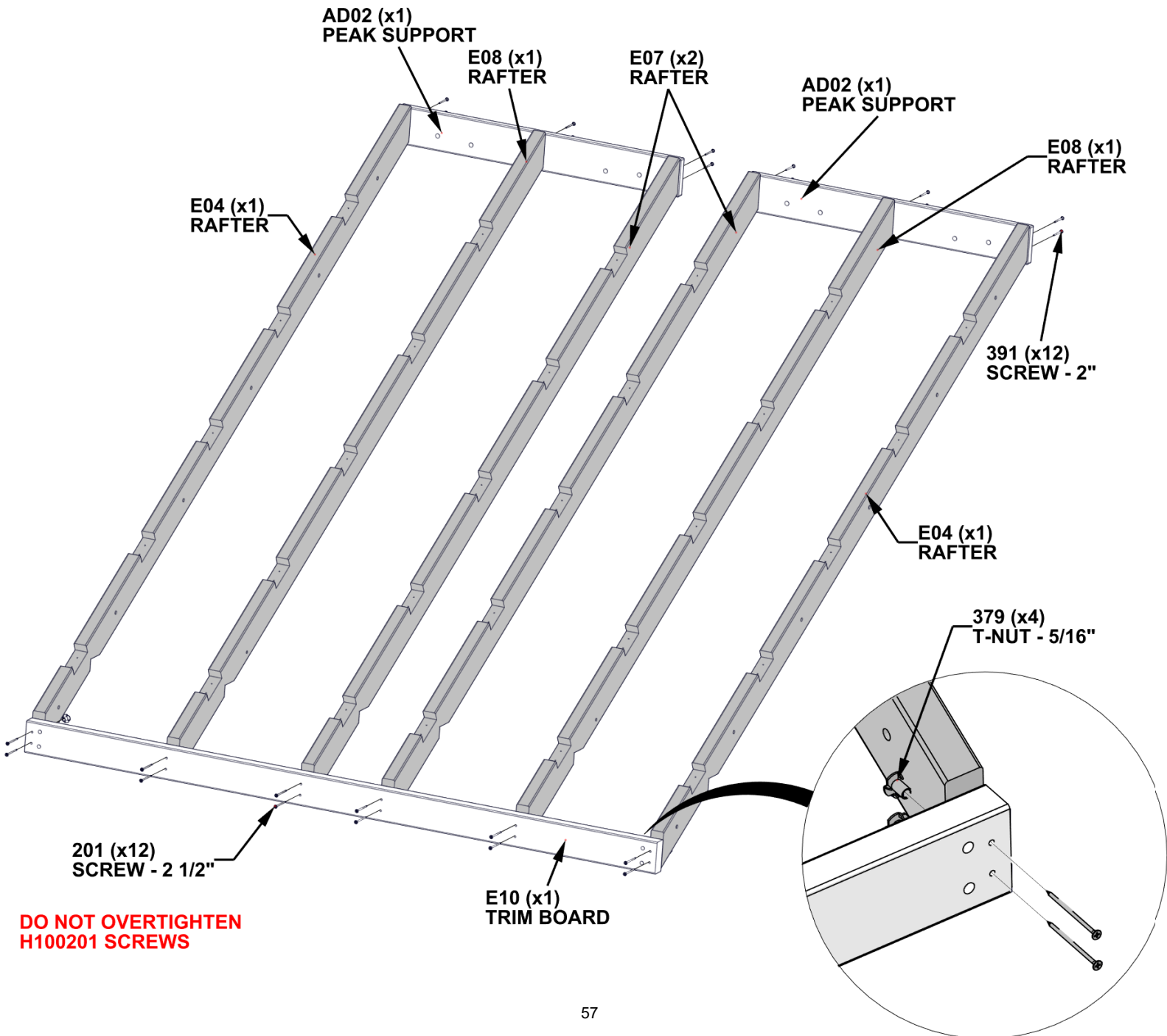
AD02 PEAK SUPPORT - W4L21903
(x2) 15/16"x4"x31 15/16" (24x102x812)

- INSERT T-NUTS FIRST, FAILURE TO DO SO WILL RESULT IN INCORRECT ASSEMBLY.

- ALIGN AD02 AND E10 WITH PILOT HOLES IN RAFTER BOARDS.

- NOTE HOLES IN AD02 BOARD ARE TOWARD THE BOTTOM.

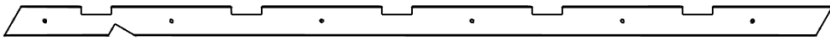
- TO HELP WITH ORGANIZATION, WE SUGGEST LABELING 'S2B' ON THE SCREW SIDE OF AD02 PEAK SUPPORT TO KEEP TRACK OF SECTION 2, PANEL B.



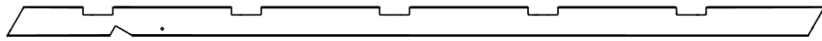
DO NOT OVERTIGHTEN H100201 SCREWS

STEP 32C - ROOF PANEL 'B' ASSEMBLY

QTY	PART NUMBER	DESCRIPTION
8	H100391	SCREW PFH 8x2 BLK
2	H100379	T-NUT 5/16 BLK
8	H100201	SCREW PFH 8x2 1/2 BLK



E04 RAFTER - W4L21176
(x1) 1 7/16"x3 3/8"x95 1/16" (36x86x2414)



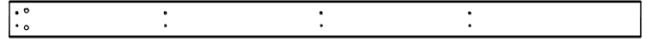
E08 RAFTER - W4L21799
(x1) 1 7/16"x3 3/8"x95 1/16" (36x86x2414)



E07 RAFTER - W4L21561
(x2) 1 7/16"x3 3/8"x95 1/16" (36x86x2414)



AD01 PEAK SUPPORT - W4L21900
(x1) 15/16"x4"x43 7/16" (24x102x1103)



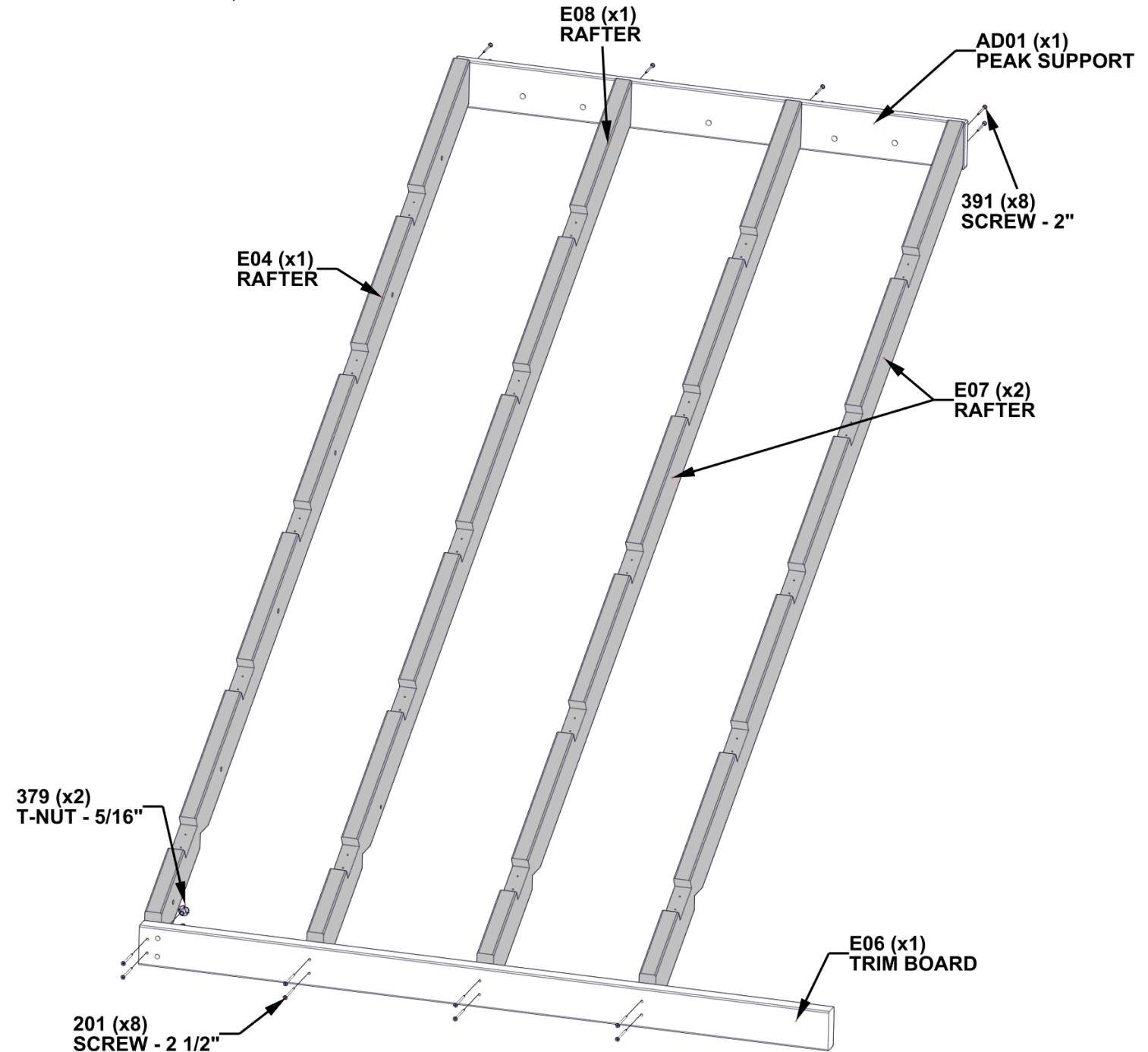
E06 TRIM BOARD - W4L21896
(x1) 7 5/16"x3 3/8"x58 9/16" (36x86x1488)

- INSERT T-NUTS FIRST, FAILURE TO DO SO WILL RESULT IN INCORRECT ASSEMBLY.

- ALIGN AD01 AND E06 WITH PILOT HOLES IN RAFTER BOARDS.

- NOTE HOLES IN AD01 BOARD ARE TOWARD THE BOTTOM.

- TO HELP WITH ORGANIZATION, WE SUGGEST LABELING 'S3B' ON THE SCREW SIDE OF AD01 RIDGE SUPPORT TO KEEP TRACK OF SECTION 3, PANEL B.

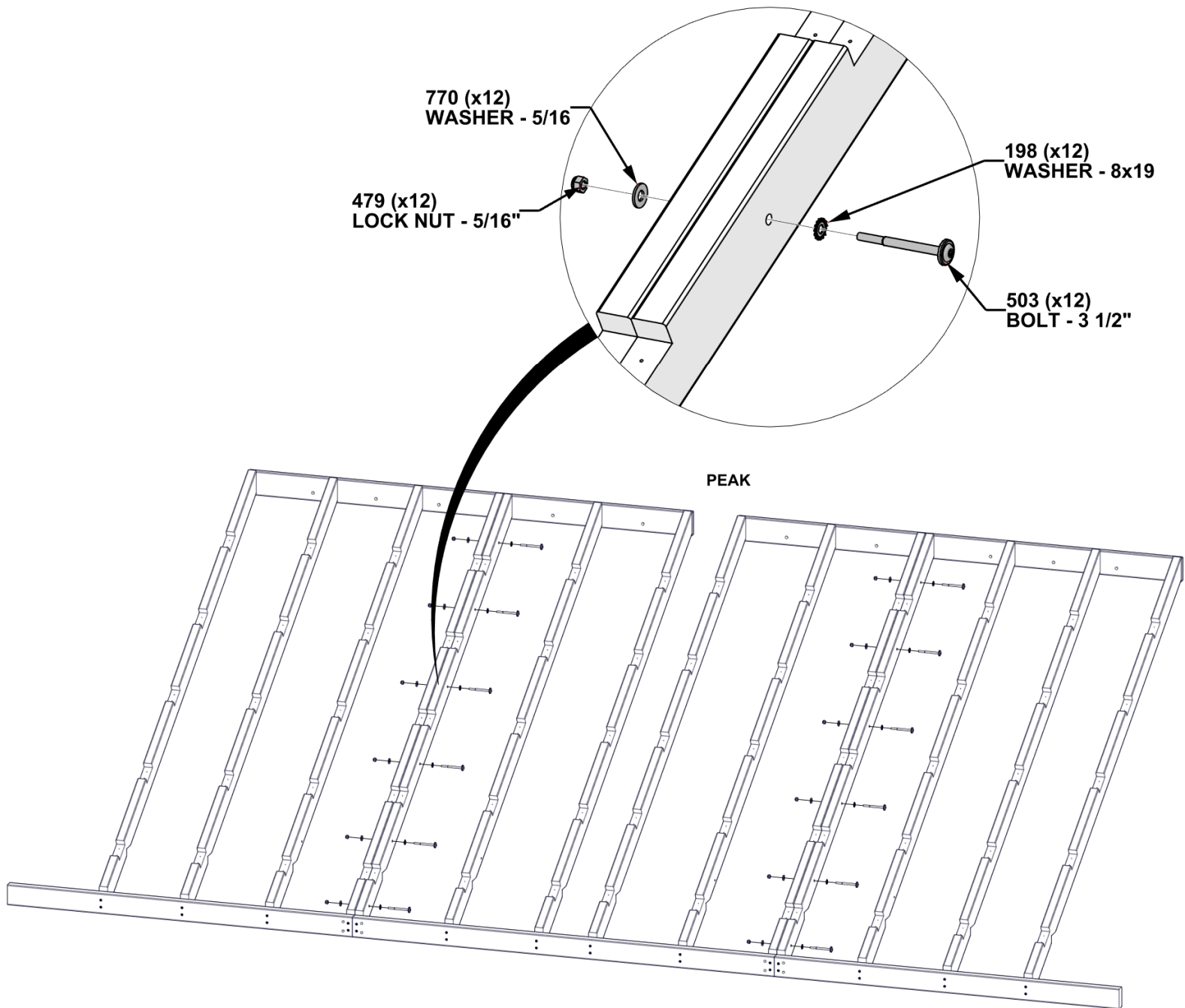


**DO NOT OVERTIGHTEN
H100201 SCREWS**

STEP 32D- ROOF PANEL 'B' ASSEMBLY

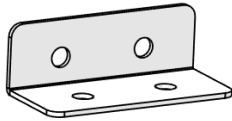
QTY	PART NUMBER	DESCRIPTION
12	H100770	WASHER FLAT 5/16 BLK
12	H100503	BOLT WH 5/16x3 1/2 BLK
12	H100479	NUT LOCK 5/16 BLK
12	H100198	WASHER LOCK EXT 8x19

- ALIGN HOLES IN MIDDLE RAFTERS AND FASTEN HARDWARE AS SHOWN.

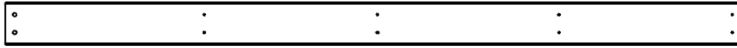


STEP 32E - ROOF PANEL 'B' ASSEMBLY

QTY	PART NUMBER	DESCRIPTION
20	H100398	TNUT-1/4" BLK
20	H100171	BOLT WH 1/4x1 BLK

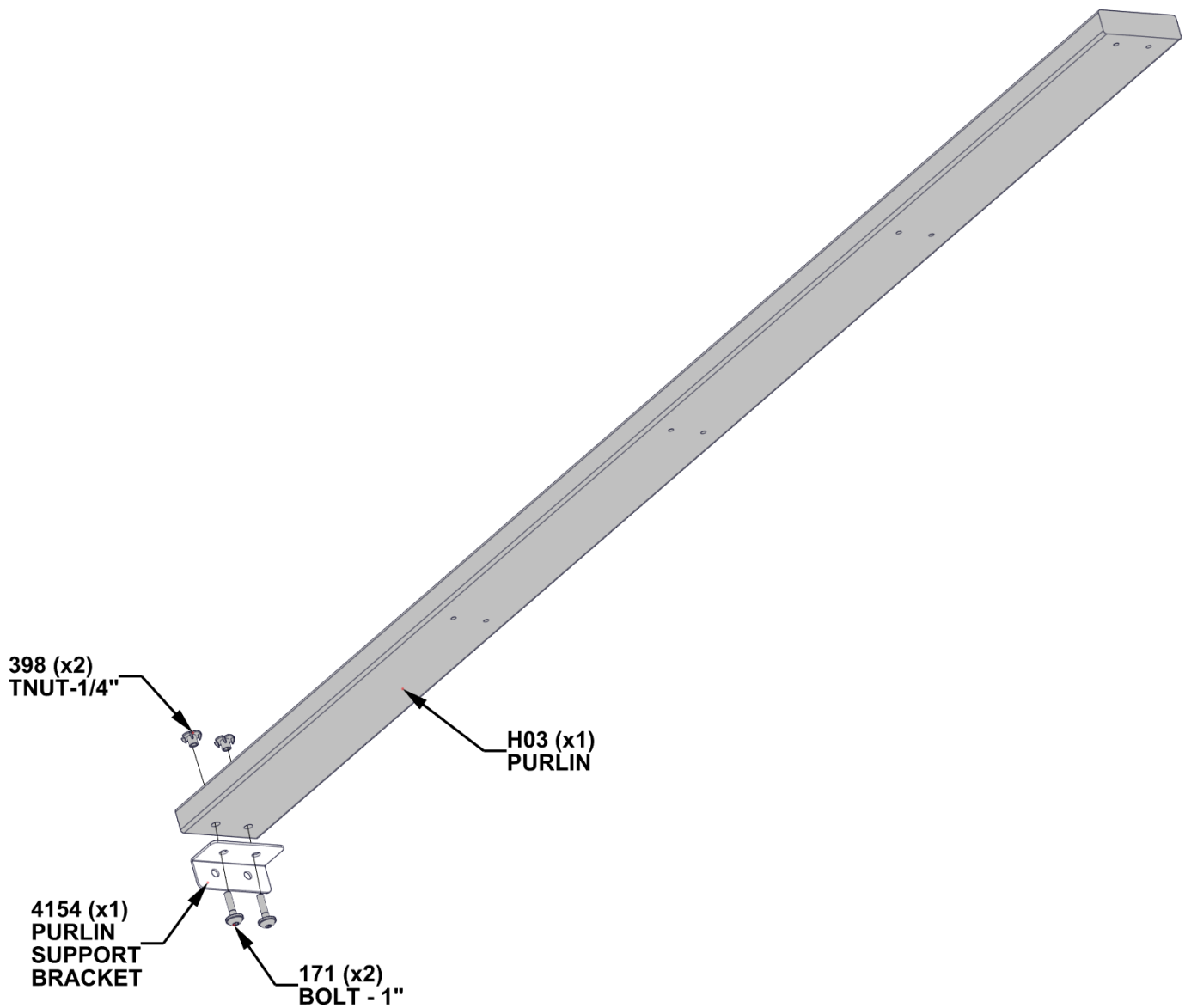


A4M04154 PURLIN SUPPORT BRACKET
(x10)



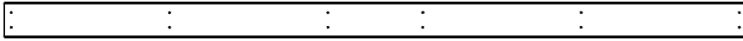
H03 PURLIN - W4L21898
(x10) 15/16"x3 3/8"x58 1/2" (24x86x1486)

- **INSERT T-NUTS FIRST.**
- LONG SECTION OF 4154 BRACKET ATTACHES TO H03 PURLIN.
- COMPLETE THIS STEP 10 TIMES.

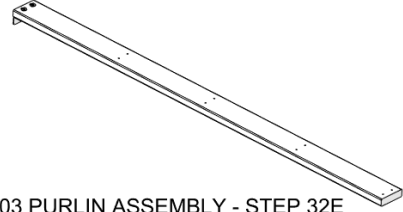


STEP 32F - ROOF PANEL 'B' ASSEMBLY

QTY	PART NUMBER	DESCRIPTION
140	H100391	SCREW PFH 8x2 BLK

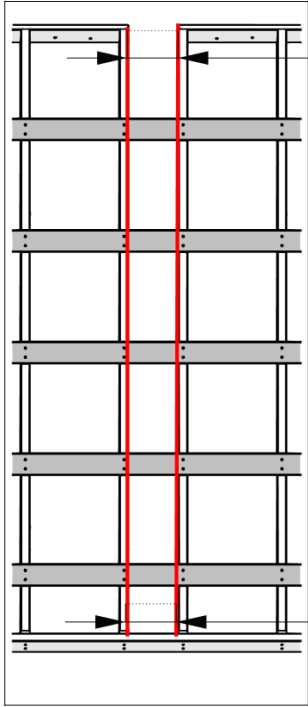


H02 PURLIN - W4L21956
(x5) 15/16"x3 3/8"x71 9/16" (24x86x1818)



H03 PURLIN ASSEMBLY - STEP 32E
(x10)

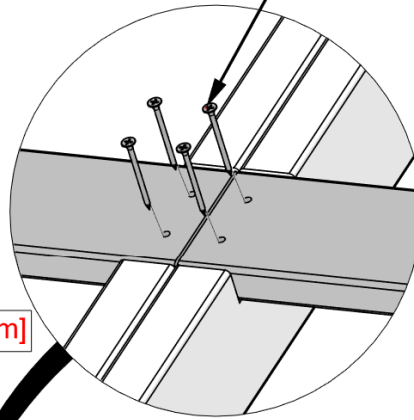
- ALIGN PURLINS WITH PILOT HOLES IN RAFTERS.



7-15/16" [203mm]

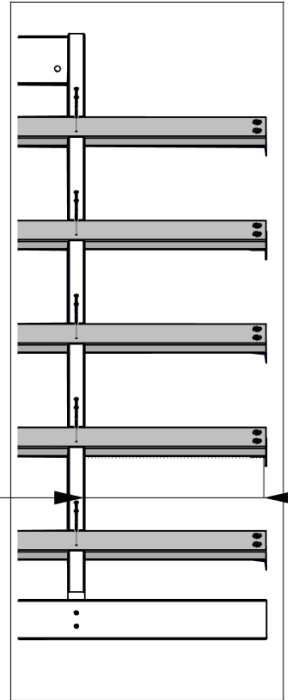
ENSURE THAT THE MIDDLE TWO RAFTERS ARE PARALLEL, THESE DIMENSIONS ARE CRITICAL. FAILURE TO FOLLOW WILL CAUSE ROOF TO BE OUT OF SQUARE AND REMAINING ASSEMBLY WILL NOT LINE UP.

391 (x140)
SCREW - 2"



15-1/8" [384mm]

7-15/16" [203mm]



OVERHANG DISTANCE FOR PURLINS IS 15-1/8" [384mm] FROM END OF PURLIN TO RAFTER BOARD ON BOTH ENDS.

H03 (x5)
PURLIN
ASSEMBLY

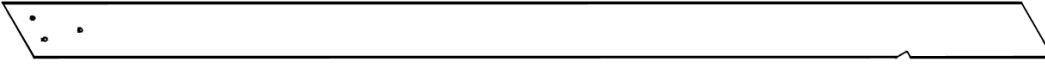
PEAK

H03 (x5)
PURLIN
ASSEMBLY

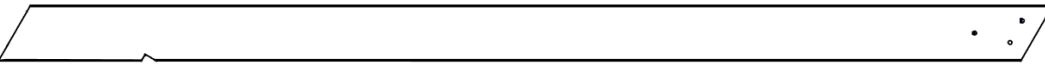
H02 (x5)
PURLIN

STEP 32G- ROOF PANEL 'B' ASSEMBLY

QTY	PART NUMBER	DESCRIPTION
20	H100460	LAG SCREW WH 1/4x1 BLK
6	H100379	T-NUT 5/16 BLK



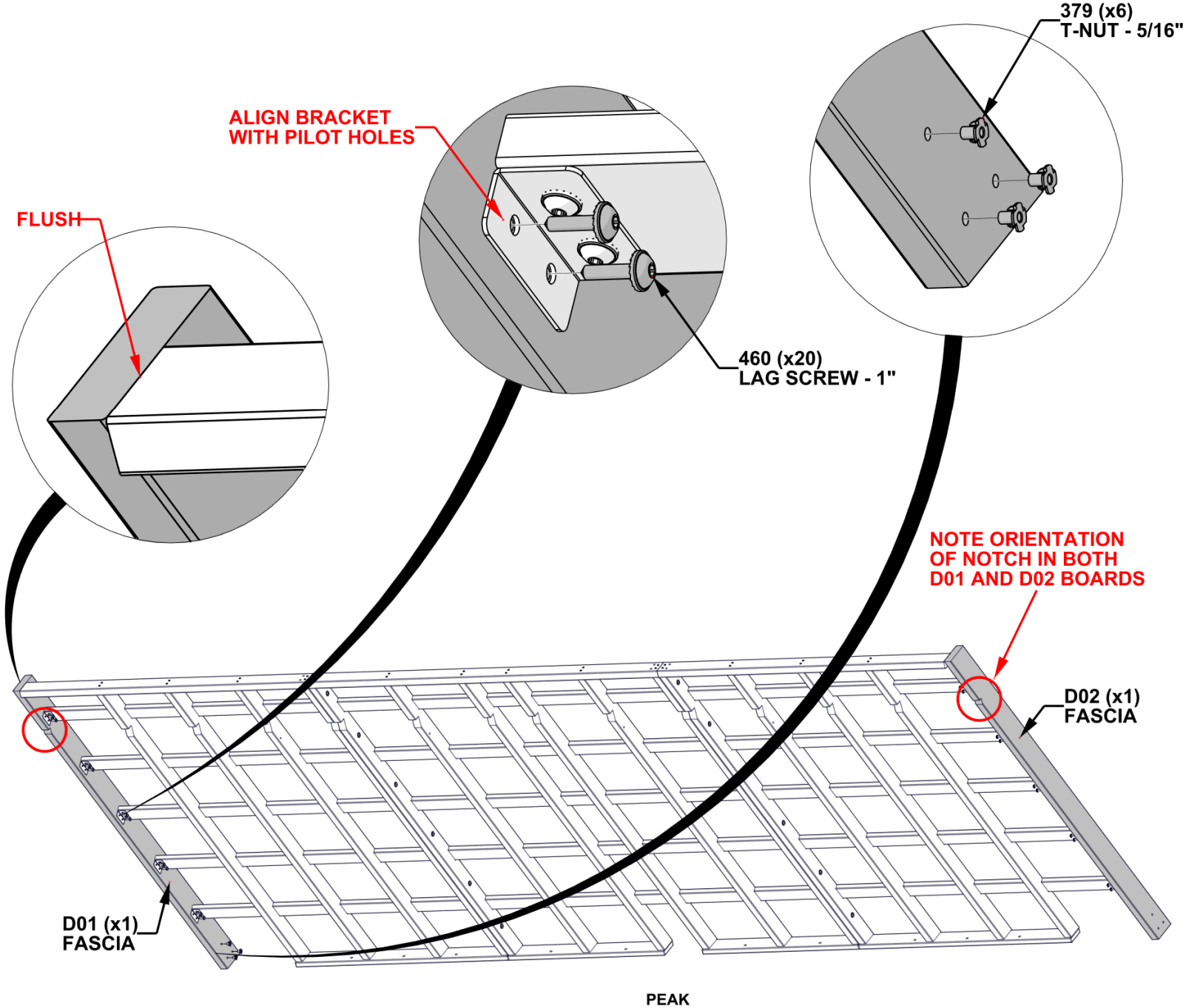
D01 FASCIA - W4L21164
(x1) 1 7/16"x5 1/4"x100" (36x134x2540)



D02 FASCIA - W4L21175
(x1) 1 7/16"x5 1/4"x100" (36x134x2540)

- INSERT T-NUTS FIRST.

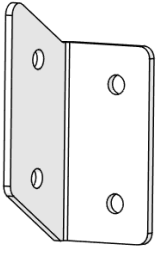
- ALIGN D01 AND D02 PILOT HOLES WITH HOLES IN 4154 BRACKETS ATTACHED IN PREVIOUS STEP.



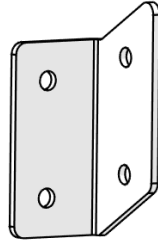
VIEW FROM BOTTOM SIDE

STEP 32H - ROOF PANEL 'B' ASSEMBLY

QTY	PART NUMBER	DESCRIPTION
8	H100797	SCREW PWH 8x1 BLK

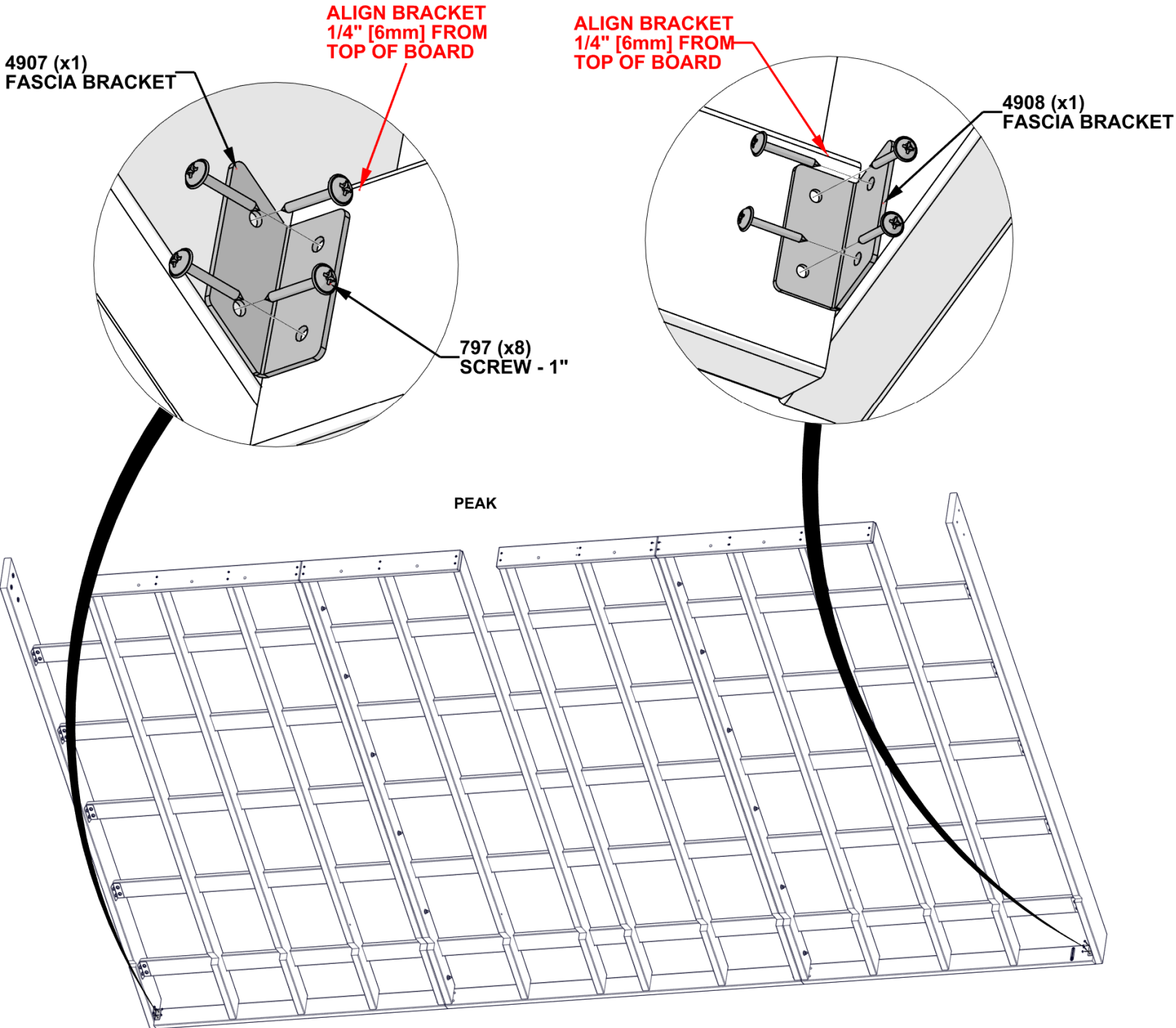


A4M04907 FASCIA BRACKET
(x1)



A4M04908 FASCIA BRACKET
(x1)

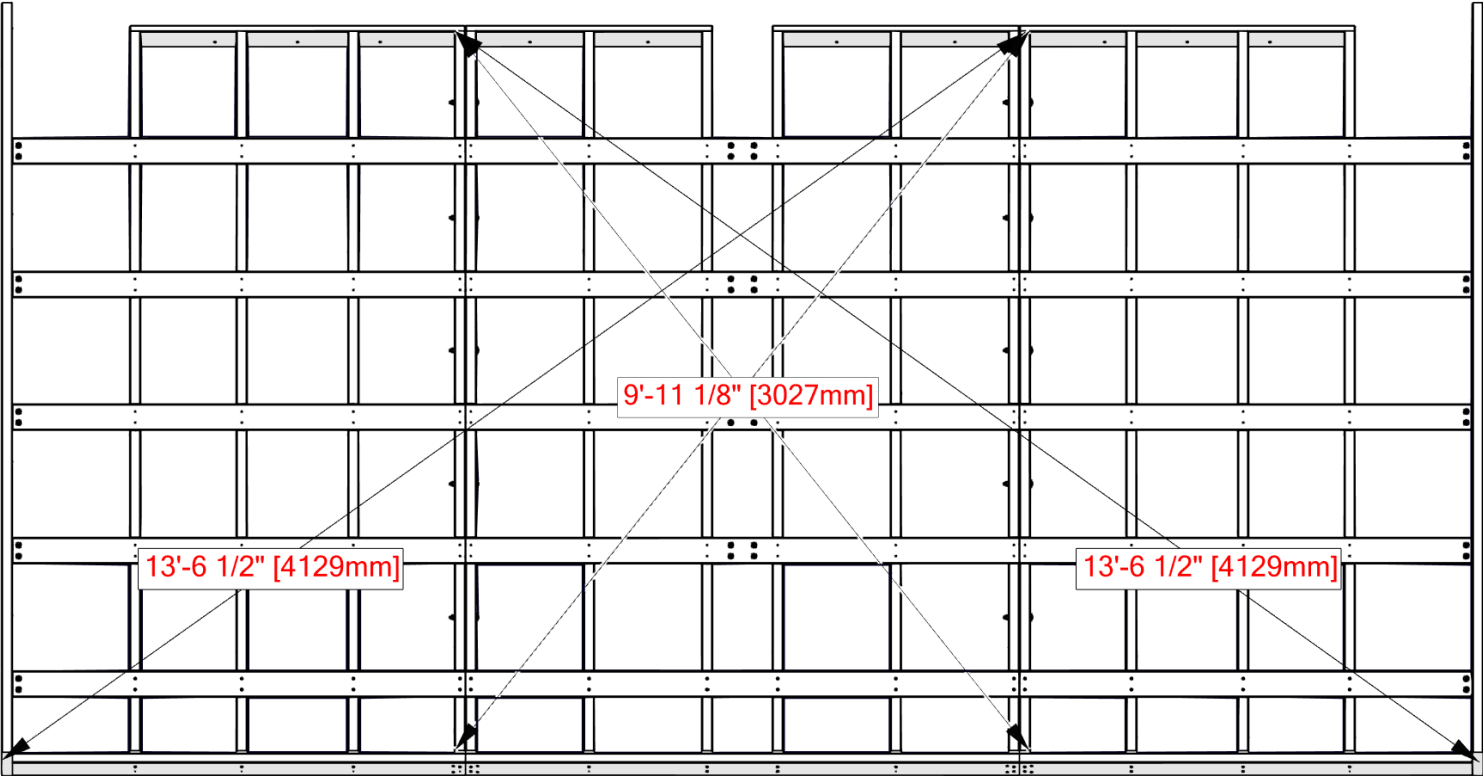
- ALIGN BRACKET 1/4" [6mm] FROM TOP OF TRIM BOARD AS SHOWN.
- ATTACH FASCIA BRACKET 4907 AND 4908 BY DRILLING A 1/8" [3mm] PILOT HOLE AND FASTENING WITH 797 SCREWS.



STEP 32I - ROOF PANEL 'B' ASSEMBLY

CRITICAL:

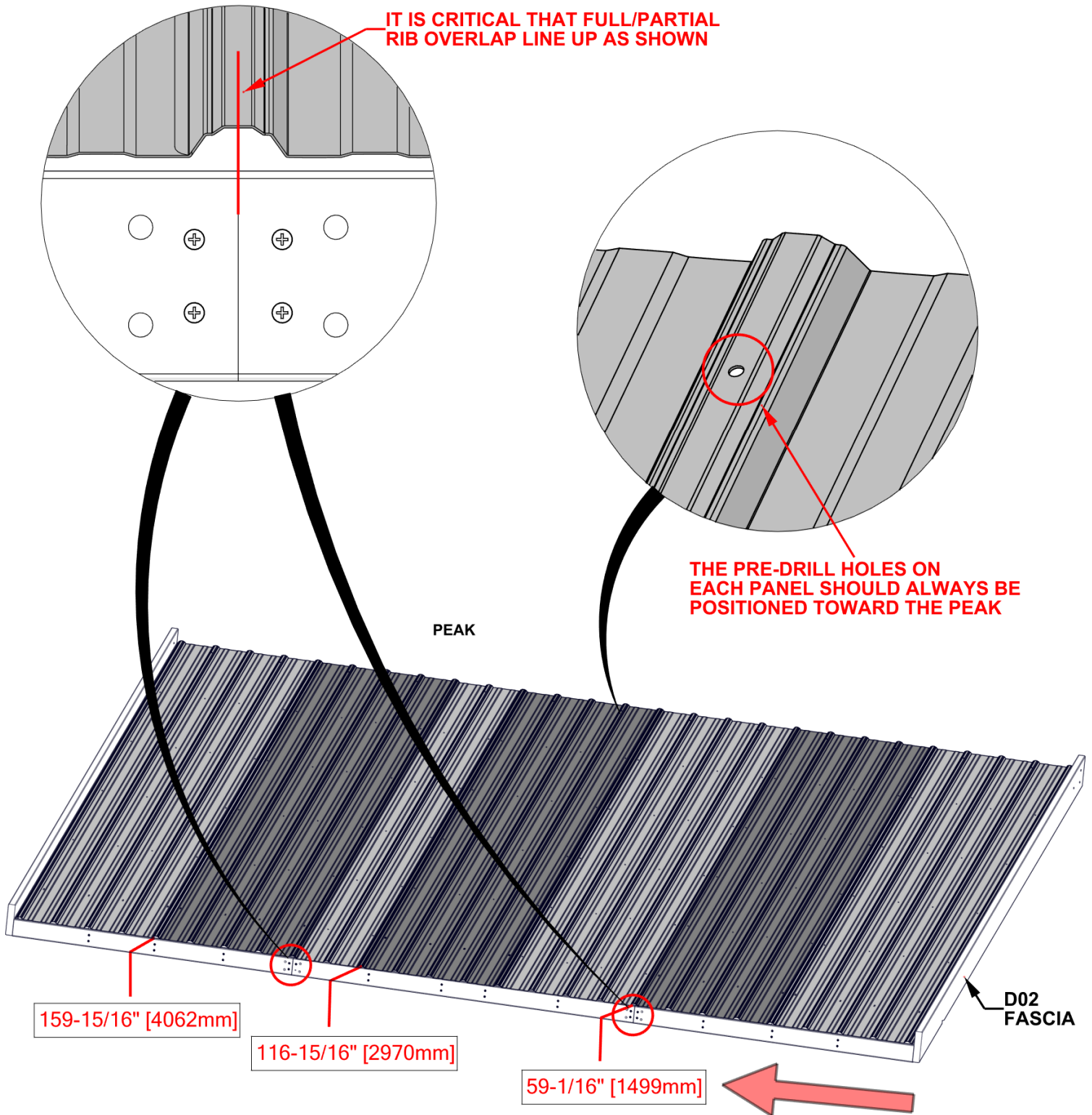
- SQUARE UNIT BEFORE PROCEEDING TO NEXT STEPS.
- THE BELOW DIMENSIONS ARE CRITICAL TO THE FINAL ROOF ASSEMBLY.
- MEASUREMENTS BELOW SHOULD BE HELD WITHIN +/- 1/4" [6mm].
- MEASUREMENTS OUTSIDE OF TOLERANCE WILL LEAD TO THE INABILITY TO ASSEMBLE THE ROOF.



TIP: LOOSEN HARDWARE TO ADJUST FOR SQUARING IF NEEDED.

STEP 33 - ROOF PANEL 'B' ASSEMBLY

- USE THIS PAGE TO FAMILIARIZE YOURSELF WITH THE ROOF PANEL AND ASSIST YOU IN STEPS 34-38.
- REMOVE PROTECTIVE BLUE FILM.
- START AT THE END INDICATED AND ASSEMBLE IN THE DIRECTION OF THE ARROW.
- **GLOVES SHOULD BE WORN WHEN HANDLING ROOF PANELS: EDGES ARE SHARP.**
- **START BY PLACING FIRST SHEET 1/8" [3mm] FROM D02 FASCIA BOARD, THEN MARK WHERE EVERY OTHER SHEET WITH LAND AS SHOWN BELOW TO ENSURE THE PANELS WILL ALIGN CORRECTLY. THE LAST SHEET SHOULD ALIGN CLOSE TO THE EDGE OF THE D01 FASCIA BOARD.**

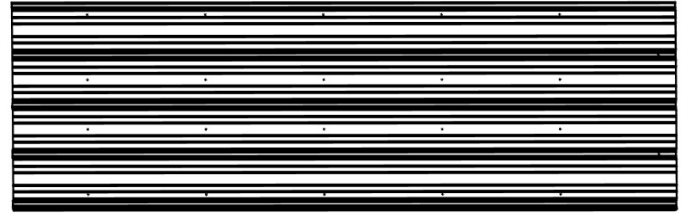


STEP 34 - ROOF PANEL 'B' ASSEMBLY

QTY	PART NUMBER	DESCRIPTION
40	H101117	SCREW WOODGRIP 10-16x3/4" BLK

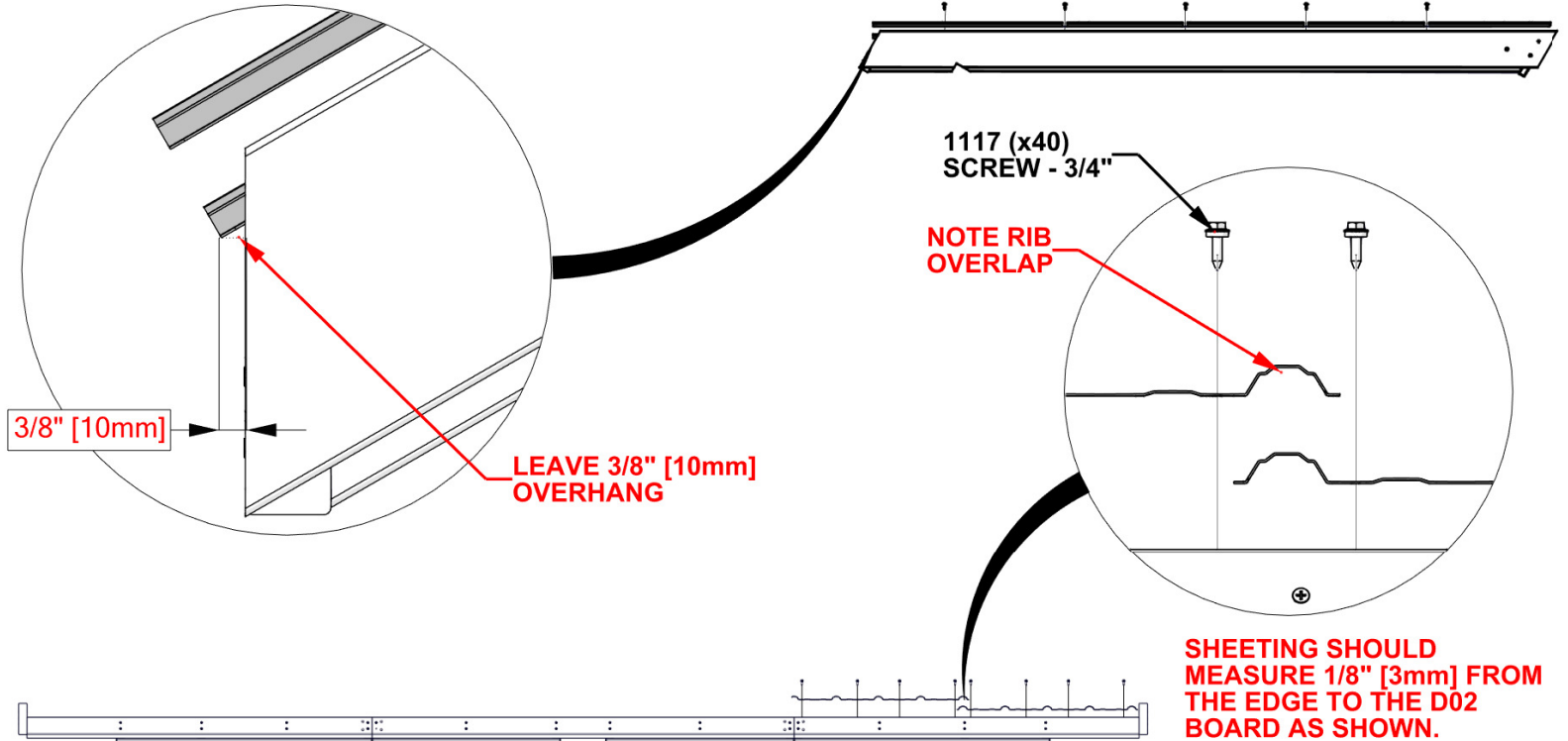


A4M04160 29GA STEEL SHEETING
(x1)

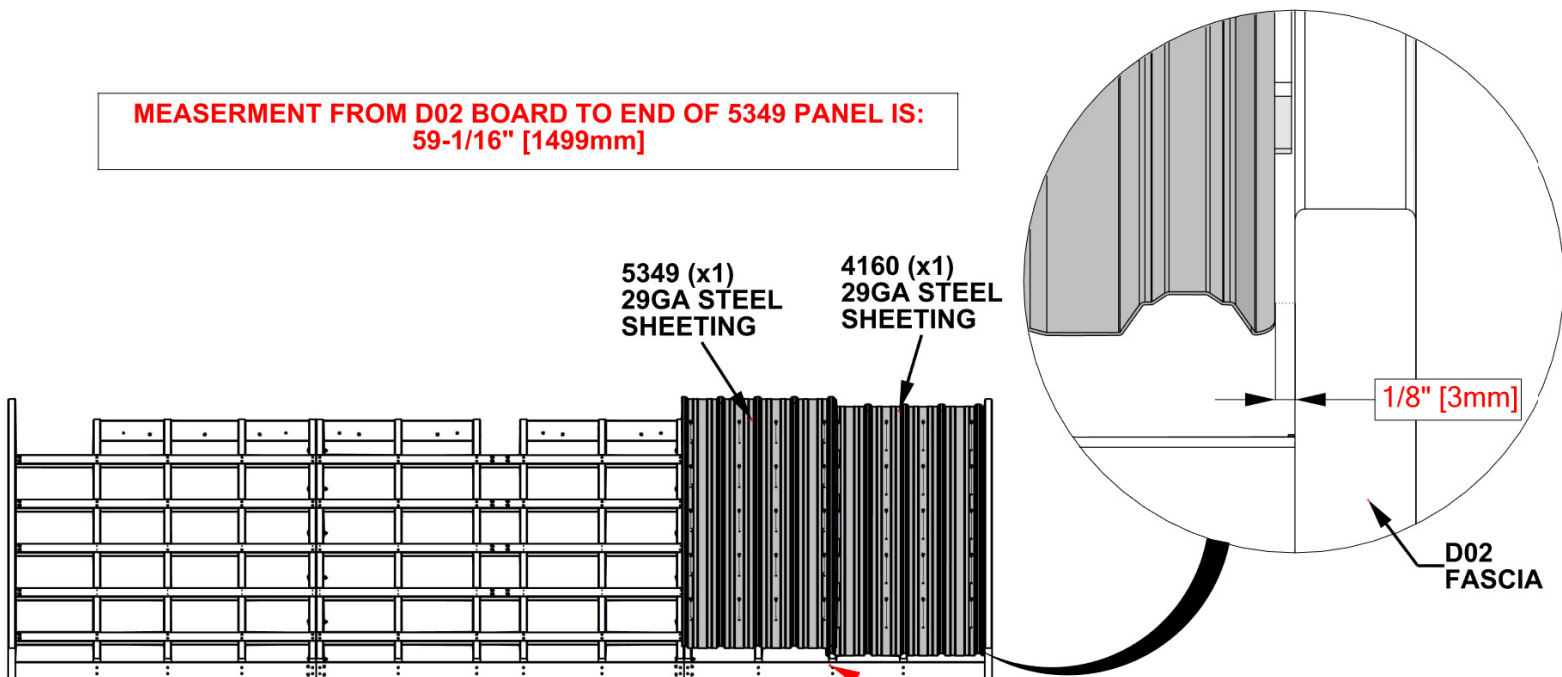


A4M05349 29GA STEEL SHEETING
(x1)

- MAKE SURE ROOF PANEL IS SQUARE BEFORE MOVING ON.



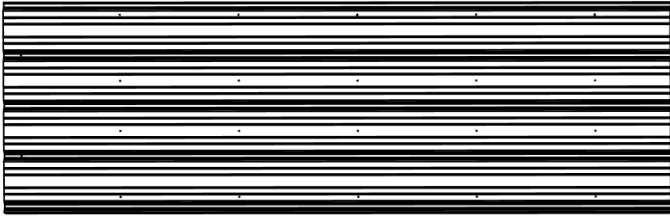
MEASUREMENT FROM D02 BOARD TO END OF 5349 PANEL IS: 59-1/16" [1499mm]



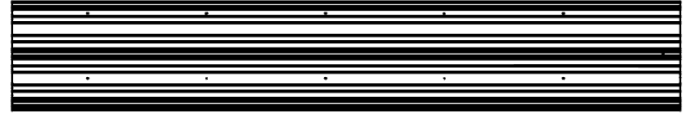
FLUSH ENDS OF SHEETING

STEP 35 - ROOF PANEL 'B' ASSEMBLY

QTY	PART NUMBER	DESCRIPTION
50	H101117	SCREW WOODGRIP 10-16x3/4" BLK



A4M04160 29GA STEEL SHEETING
(x2)

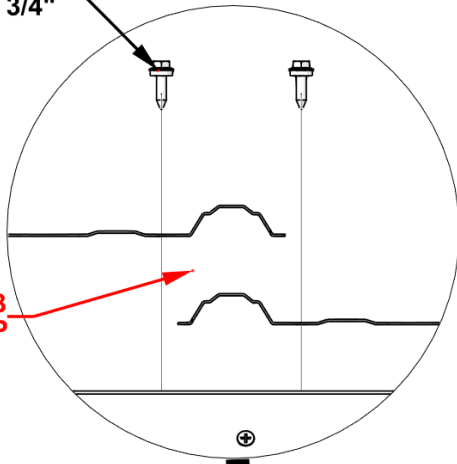


A4M05611 29GA STEEL SHEETING
(x1)

- PANEL A4M05611 WILL HAVE A PARTIAL RIB AS INDICATED

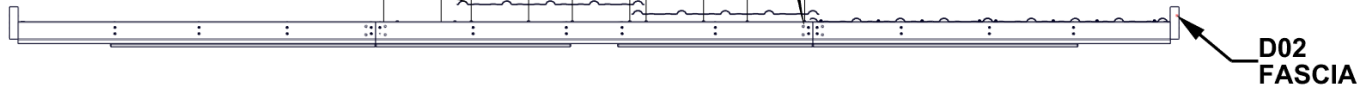
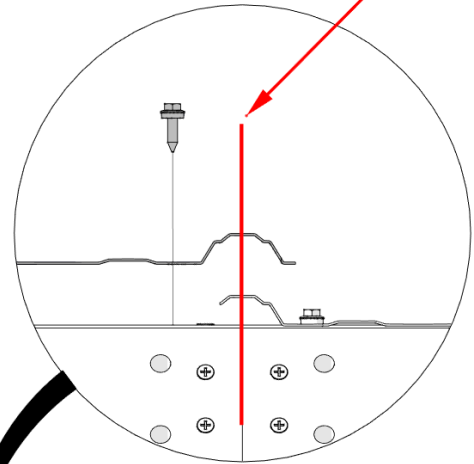
1117 (x50)
SCREW - 3/4"

NOTE RIB
OVERLAP



PARTIAL
RIB

PLACE FULL RIB OVER PARTIAL
RIB AND VERIFY EQUAL SPACING
AT JOINT AS SHOWN

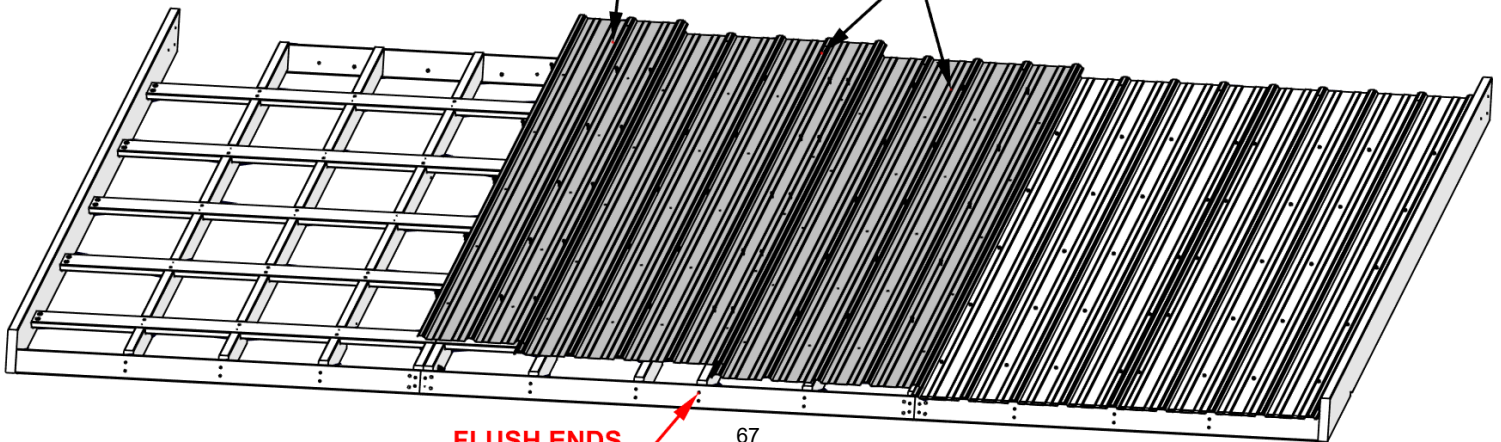


D02
FASCIA

MEASUREMENT FROM D02 BOARD TO END OF 5611 PANEL IS:
130-11/16" [3319mm]

5611 (x1)
29GA STEEL
SHEETING

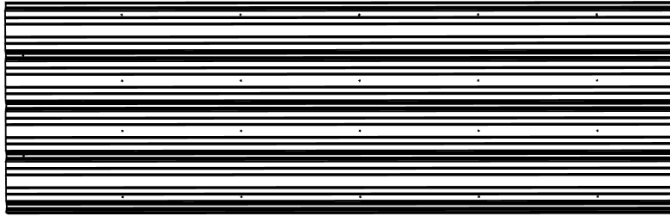
4160 (x2)
29GA STEEL
SHEETING



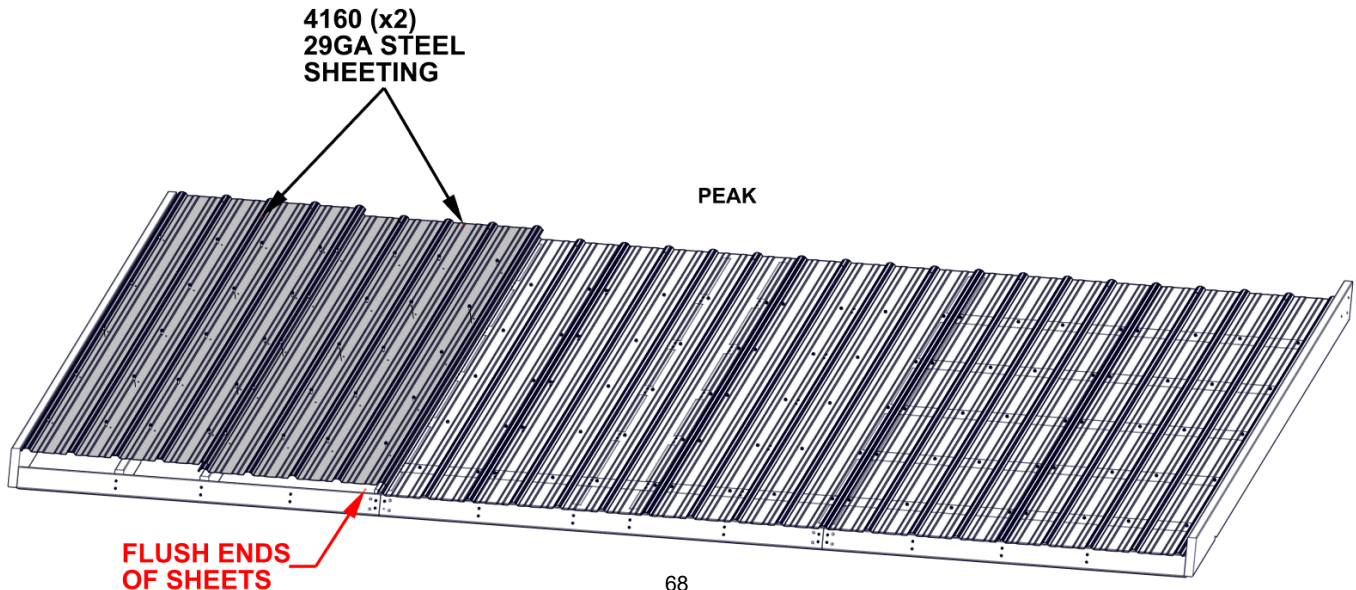
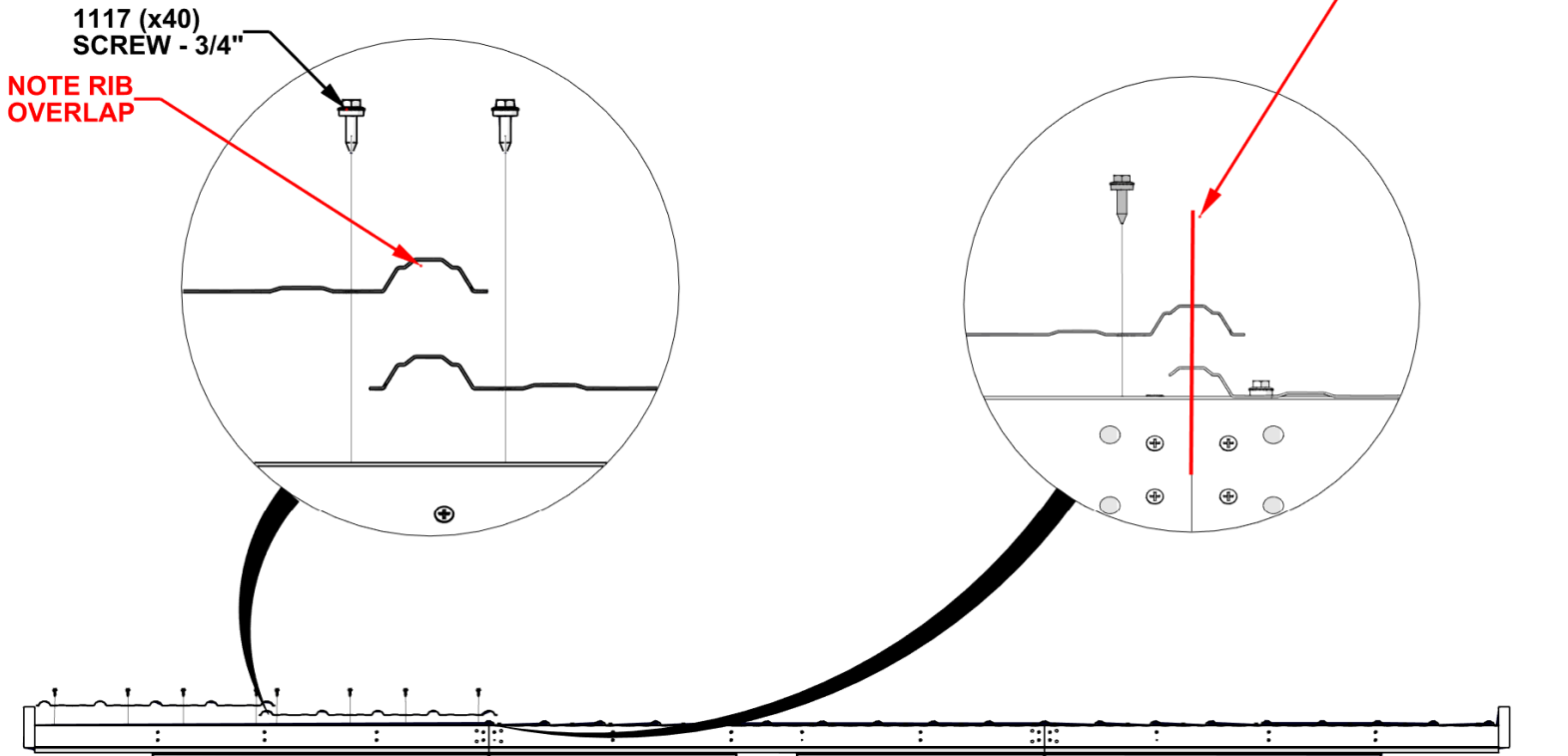
FLUSH ENDS
OF SHEETS

STEP 36 - ROOF PANEL 'B' ASSEMBLY

QTY	PART NUMBER	DESCRIPTION
40	H101117	SCREW WOODGRIP 10-16x3/4" BLK



A4M04160 29GA STEEL SHEETING
(x2)

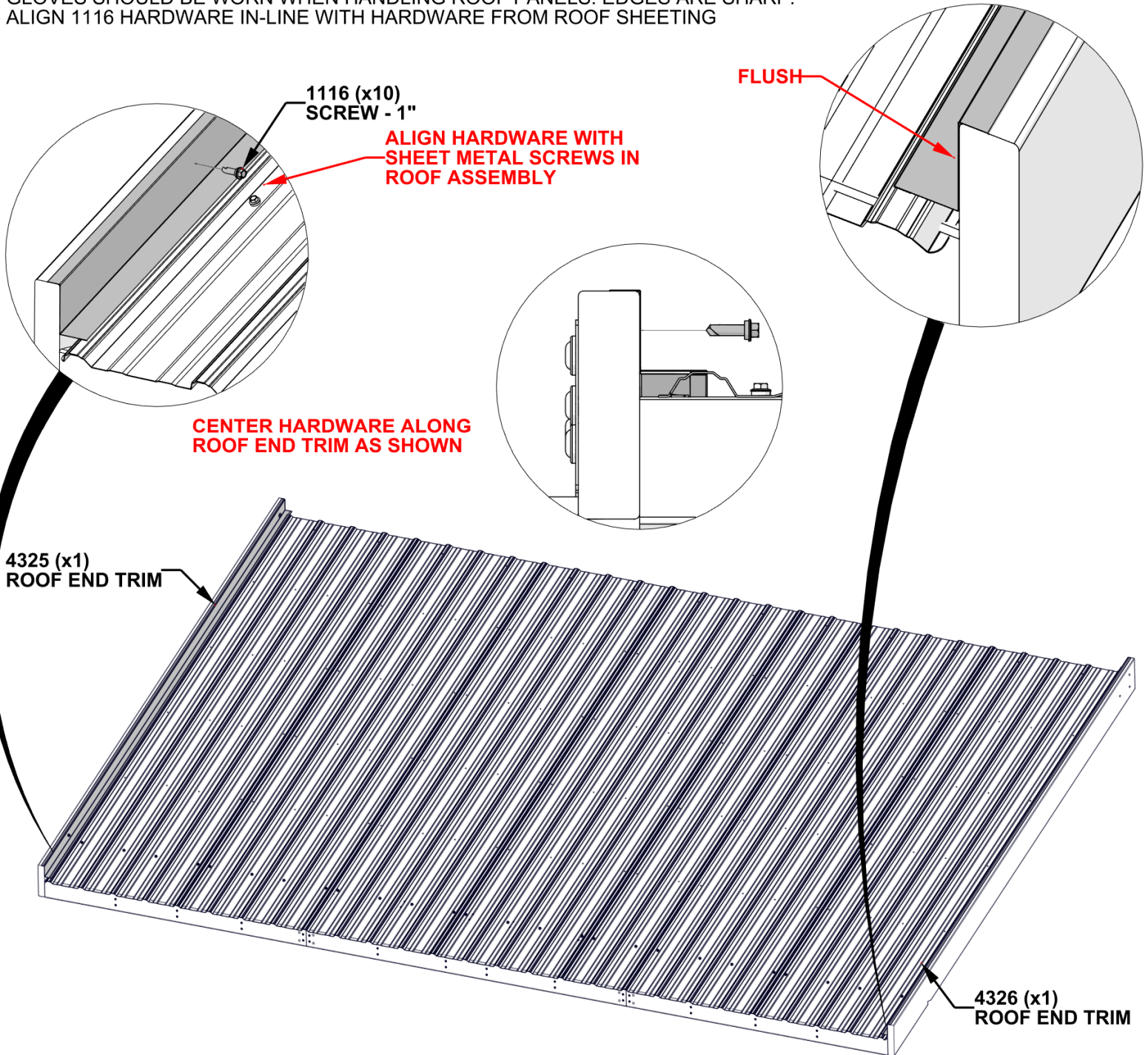


STEP 37 - ROOF PANEL 'B' ASSEMBLY

QTY	PART NUMBER	DESCRIPTION
10	H101116	SCREW SELF TAPPING 1/4x1 BLK

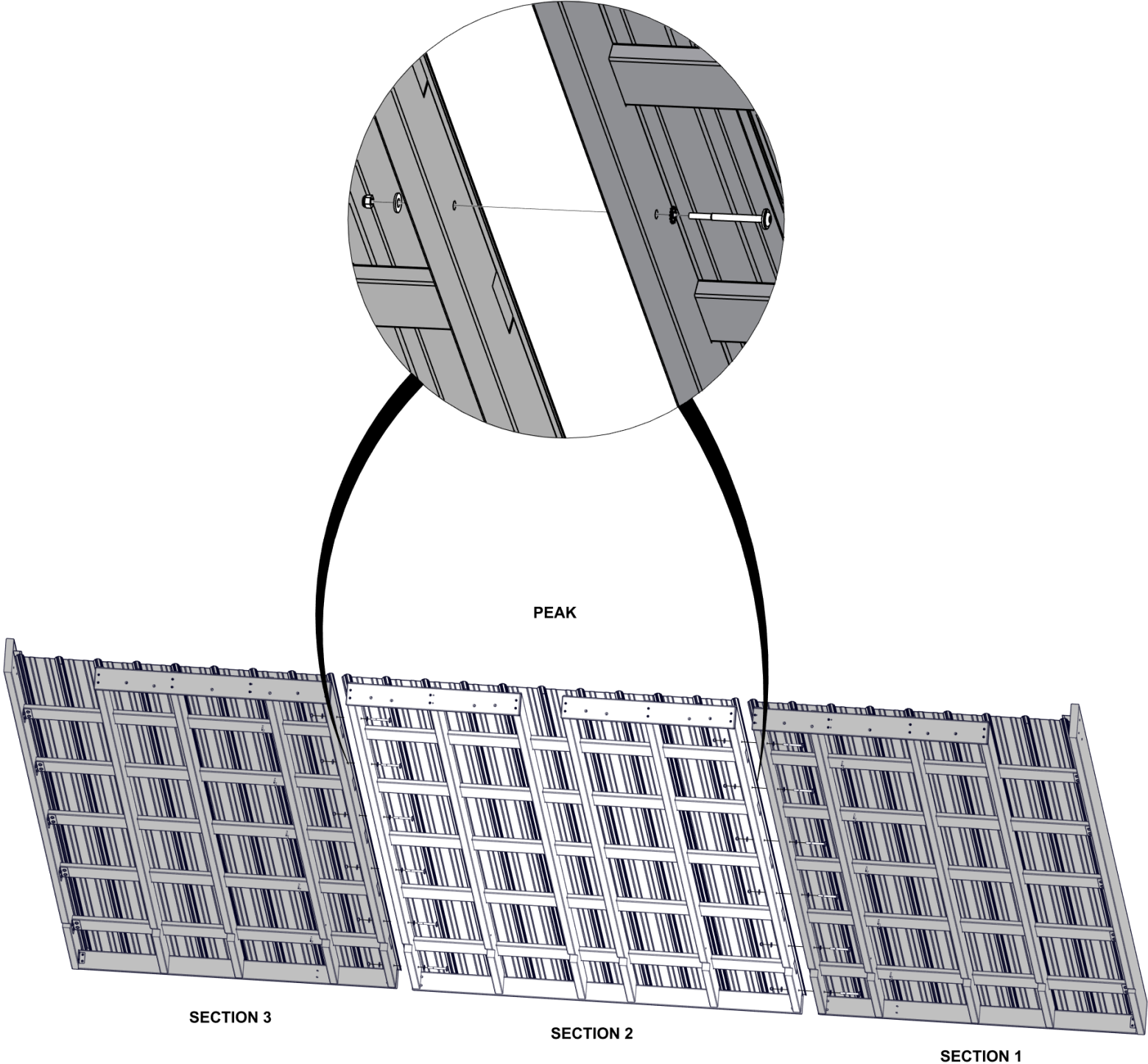


- REMOVE PROTECTIVE BLUE FILM.
- GLOVES SHOULD BE WORN WHEN HANDLING ROOF PANELS: EDGES ARE SHARP.
- ALIGN 1116 HARDWARE IN-LINE WITH HARDWARE FROM ROOF SHEETING



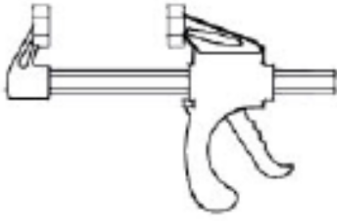
STEP 38 - ROOF PANEL 'B' ASSEMBLY

- SEPERATE ROOF PANEL FOR EASE OF ASSEMBLY.
- REMOVE HARDWARE AND SET ASIDE. IT WILL BE USED AGAIN AFTER BOTH SECTIONS ARE INSTALLED.



STEP 39 - ROOF ASSEMBLY

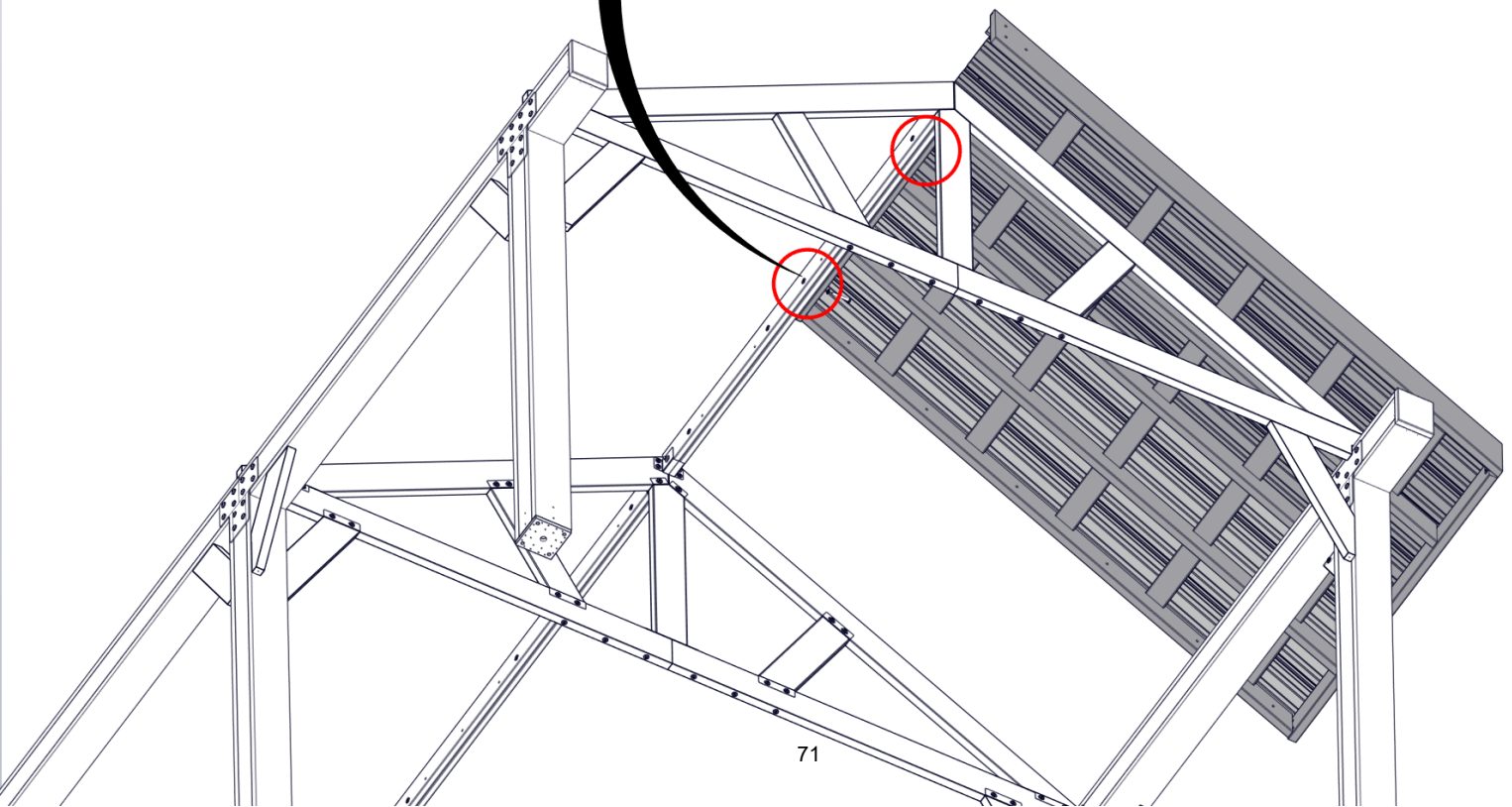
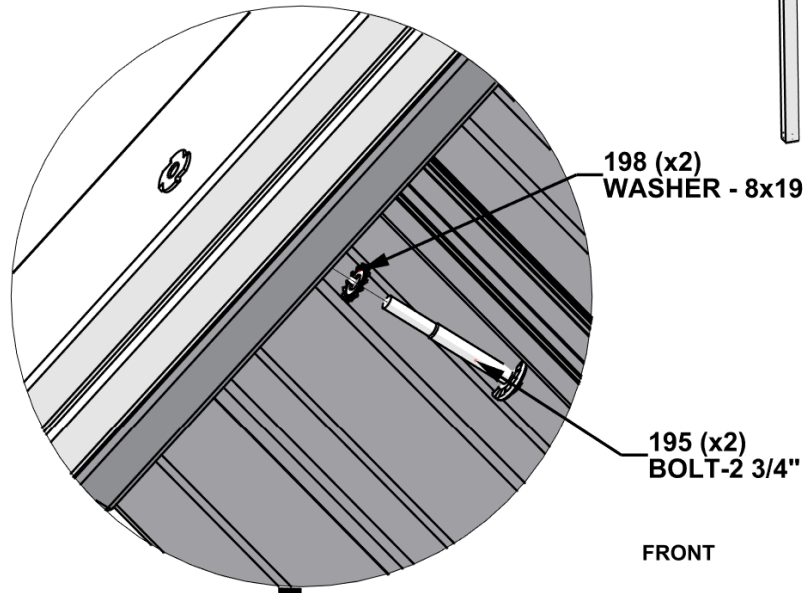
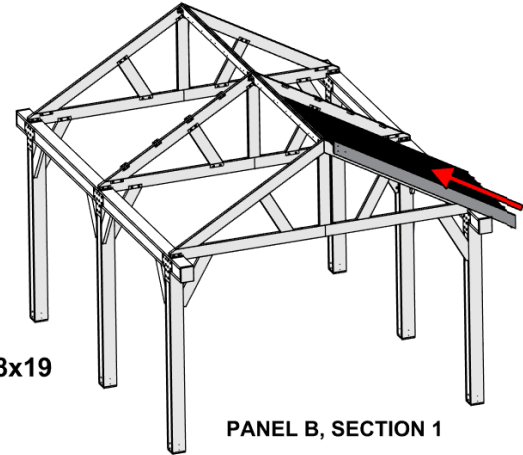
QTY	PART NUMBER	DESCRIPTION
2	H100198	WASHER LOCK EXT 8x19
2	H100195	BOLT WH 5/16x2 3/4 BLK



A6P00460 6" QUICK RELEASE CLAMP

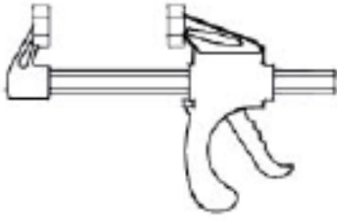
- HAND TIGHTEN HARDWARE.

- ADDITIONAL PEOPLE ARE HELPFUL FOR THIS STEP.
- SLIDE ROOF PANEL ALONG GABLE BEAM.
- USE A6P00460 QUICK RELEASE CLAMPS IF NEEDED.



STEP 40 - ROOF ASSEMBLY

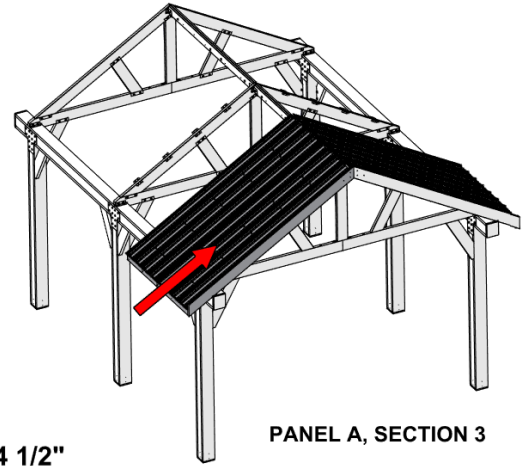
QTY	PART NUMBER	DESCRIPTION
3	H100630	WASHER FLAT 8x19 BLK
3	H100534	BOLT WH 5/16x4 1/2 BLK
3	H100479	NUT LOCK 5/16 BLK
3	H100198	WASHER LOCK EXT 8x19



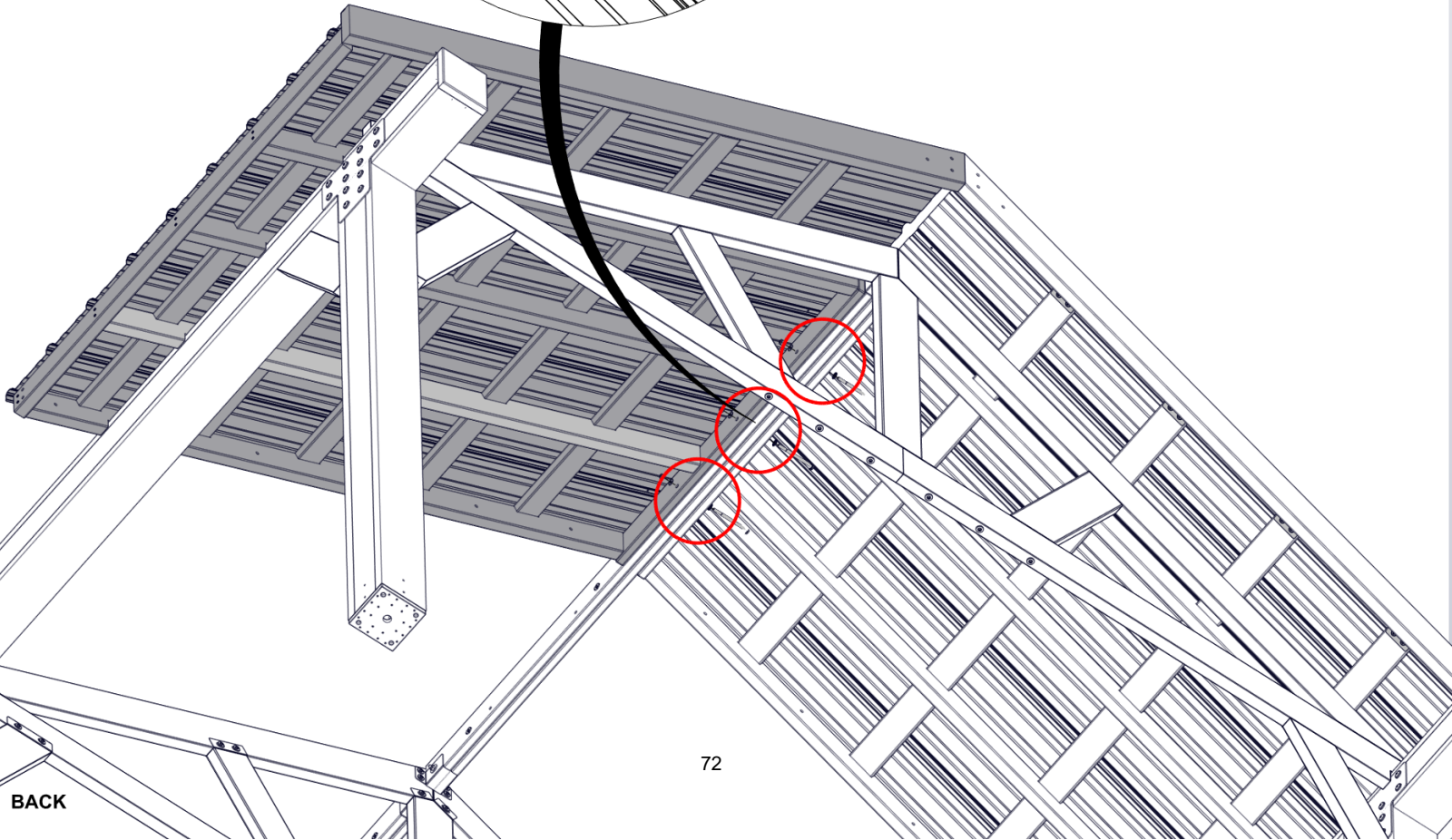
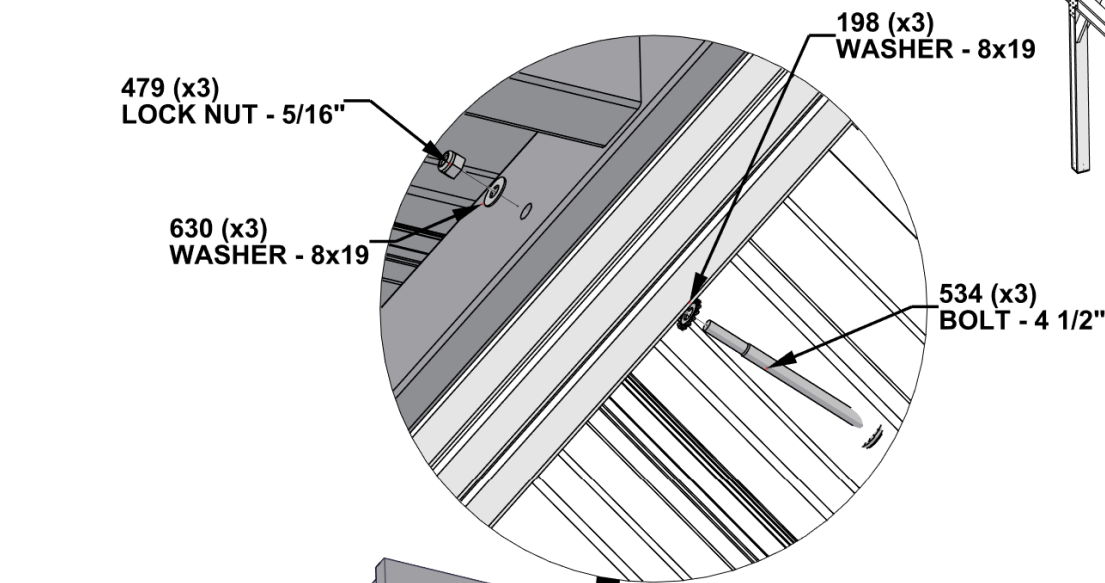
A6P00460 6" QUICK RELEASE CLAMP

- HAND TIGHTEN HARDWARE.

- ADDITIONAL PEOPLE ARE HELPFUL FOR THIS STEP.
- SLIDE ROOF PANEL ALONG GABLE BEAM.
- USE A6P00460 QUICK RELEASE CLAMPS IF NEEDED.

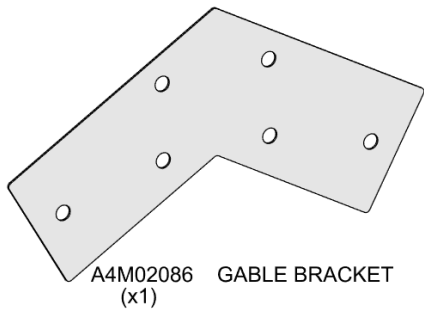


PANEL A, SECTION 3

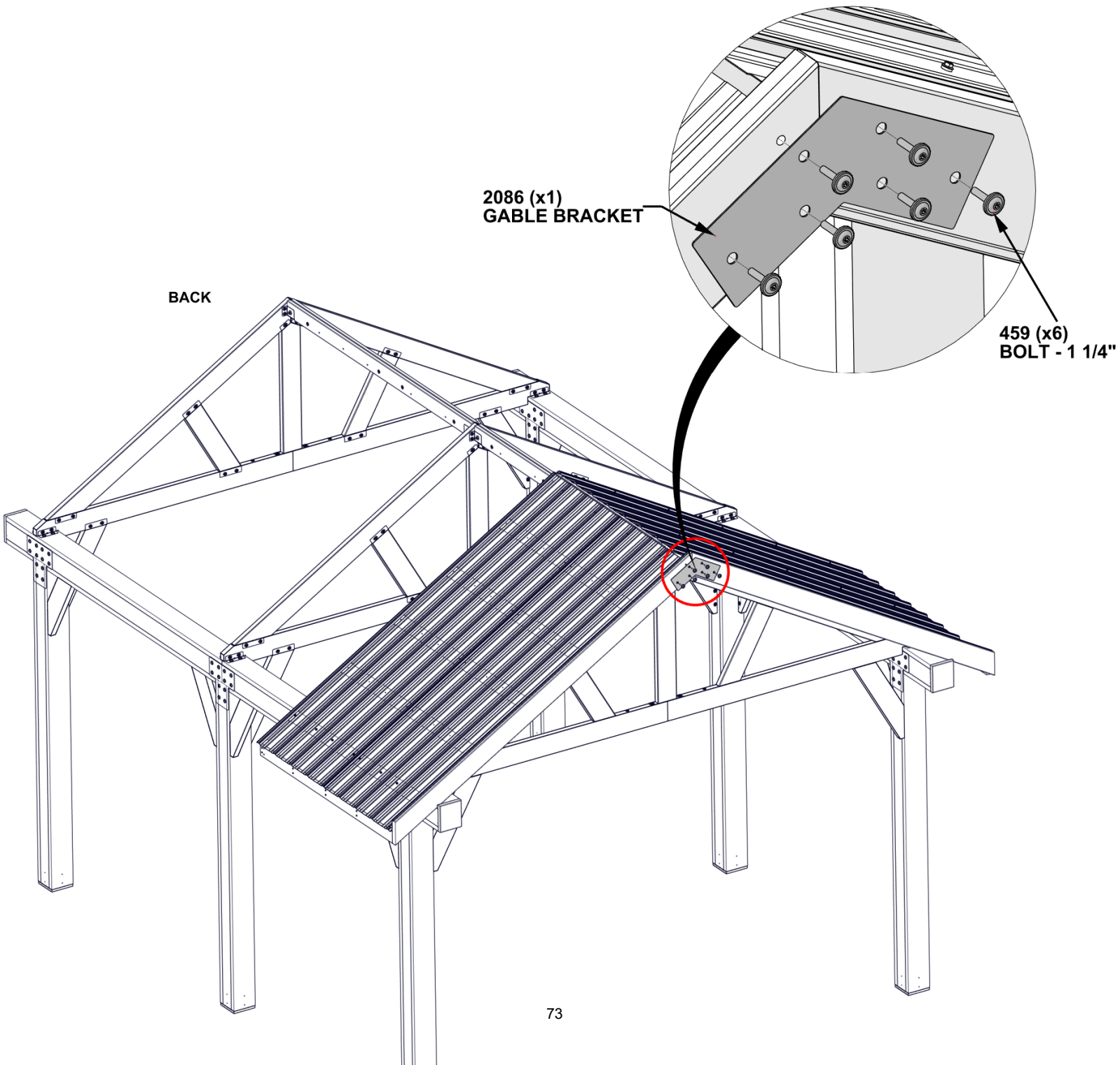


STEP 41 - ROOF ASSEMBLY

QTY	PART NUMBER	DESCRIPTION
6	H100459	BOLT WH 5/16x1 1/4 BLK



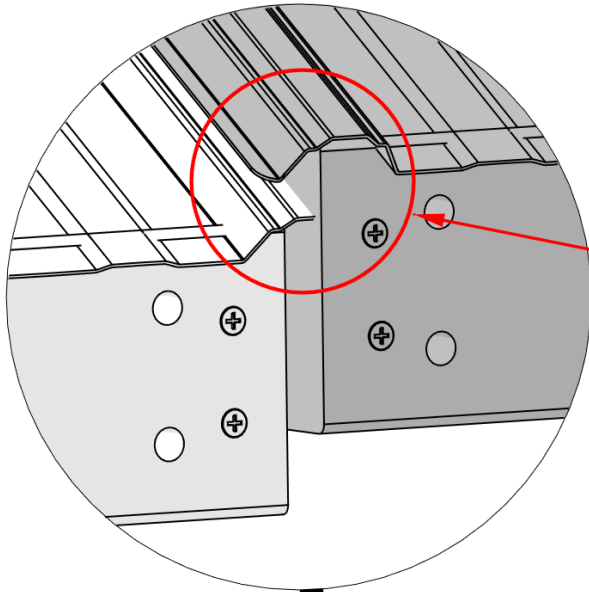
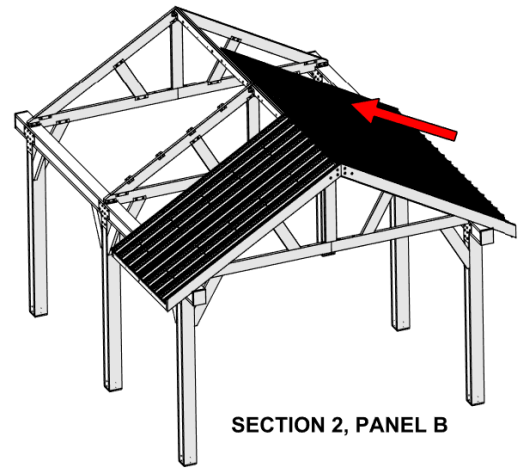
- FASTEN HARDWARE INTO T-NUTS INSTALLED IN D01 AND D02 BOARDS.
- HAND TIGHTEN HARDWARE.



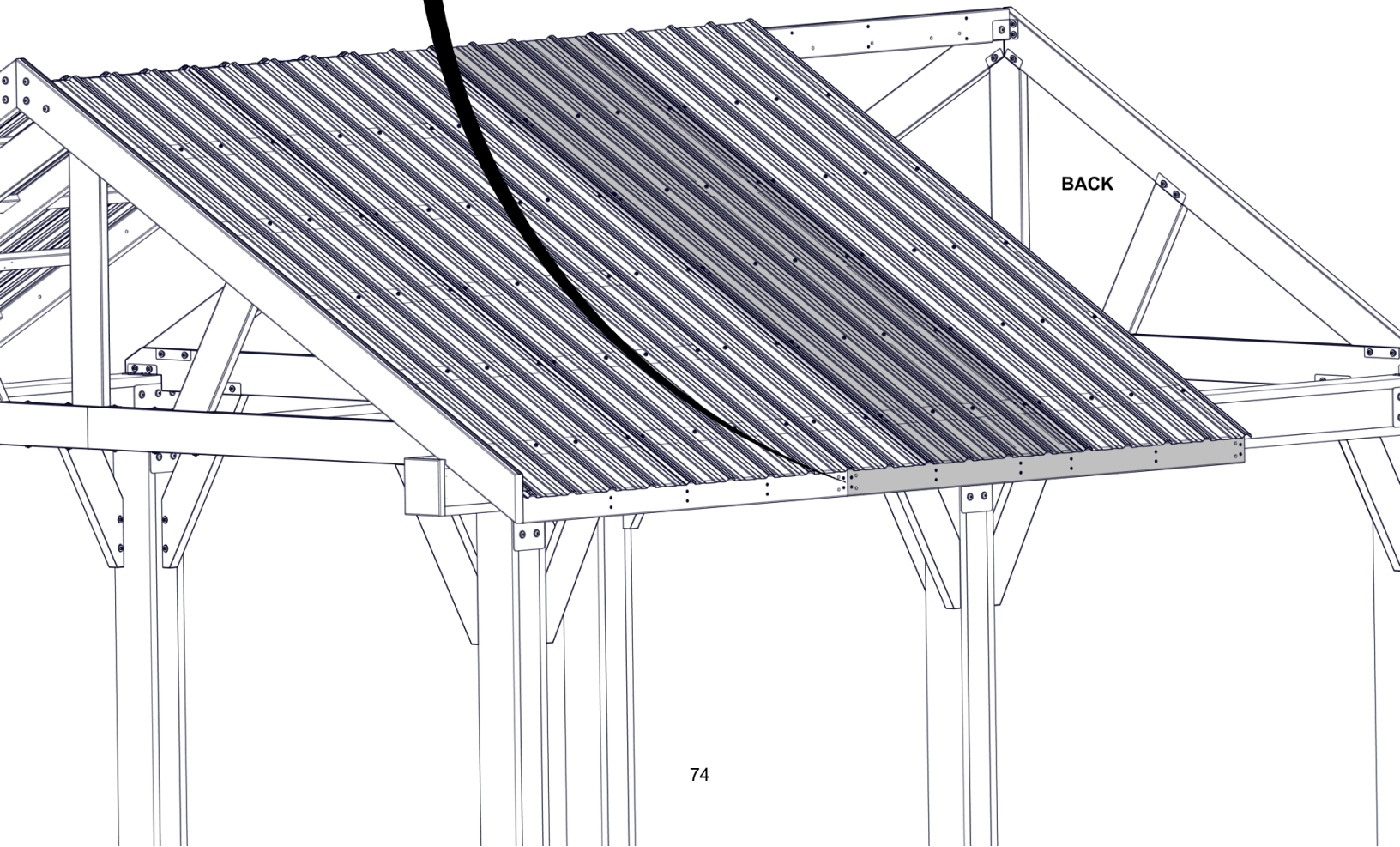
STEP 42 - ROOF ASSEMBLY

CRITICAL:

- IT IS IMPORTANT THAT THE PANELS ARE INSTALLED AS SHOWN.
- PARTIAL RIB MUST BE INSTALLED UNDER FULL RIB.
- FAILURE TO DO SO WILL RESULT IN LEAKING.
- MUST SLIDE PANEL UP FROM BOTTOM WITH RIBS OVERLAPPING.

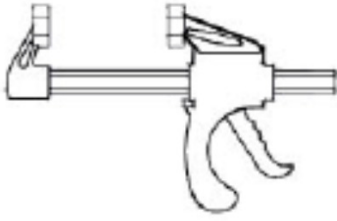


ENSURE FULL RIB IS ATTACHED ON TOP OF PARTIAL RIB



STEP 43 - ROOF ASSEMBLY

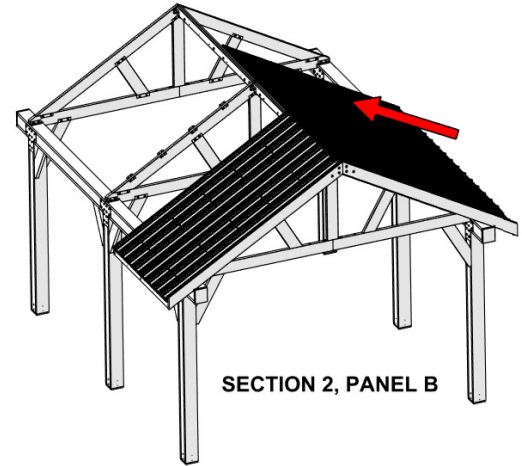
QTY	PART NUMBER	DESCRIPTION
4	H100198	WASHER LOCK EXT 8x19
4	H100195	BOLT WH 5/16x2 3/4 BLK



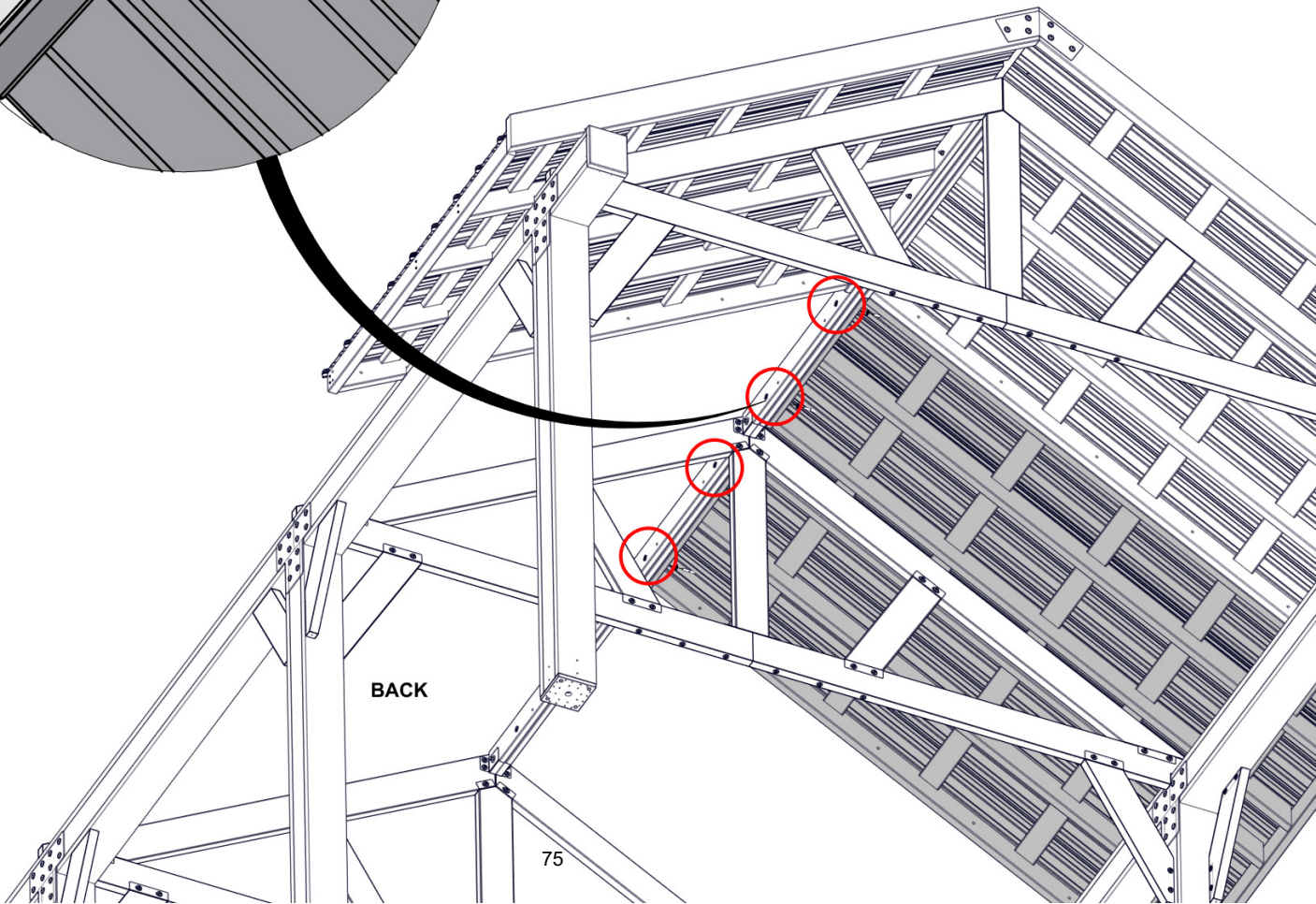
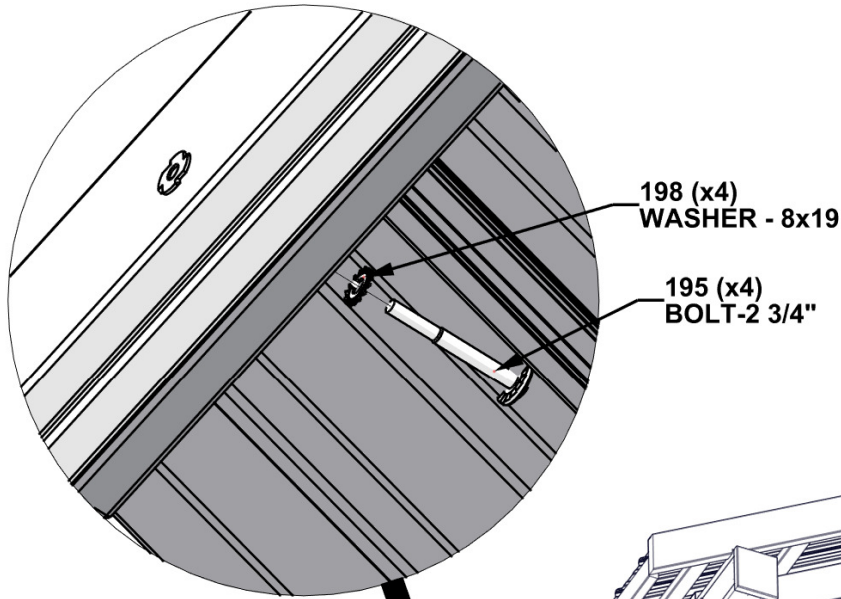
A6P00460 6" QUICK RELEASE CLAMP

- HAND TIGHTEN HARDWARE.

- ADDITIONAL PEOPLE ARE HELPFUL FOR THIS STEP.
- SLIDE ROOF PANEL ALONG GABLE BEAM.
- USE A6P00460 QUICK RELEASE CLAMPS IF NEEDED.



SECTION 2, PANEL B



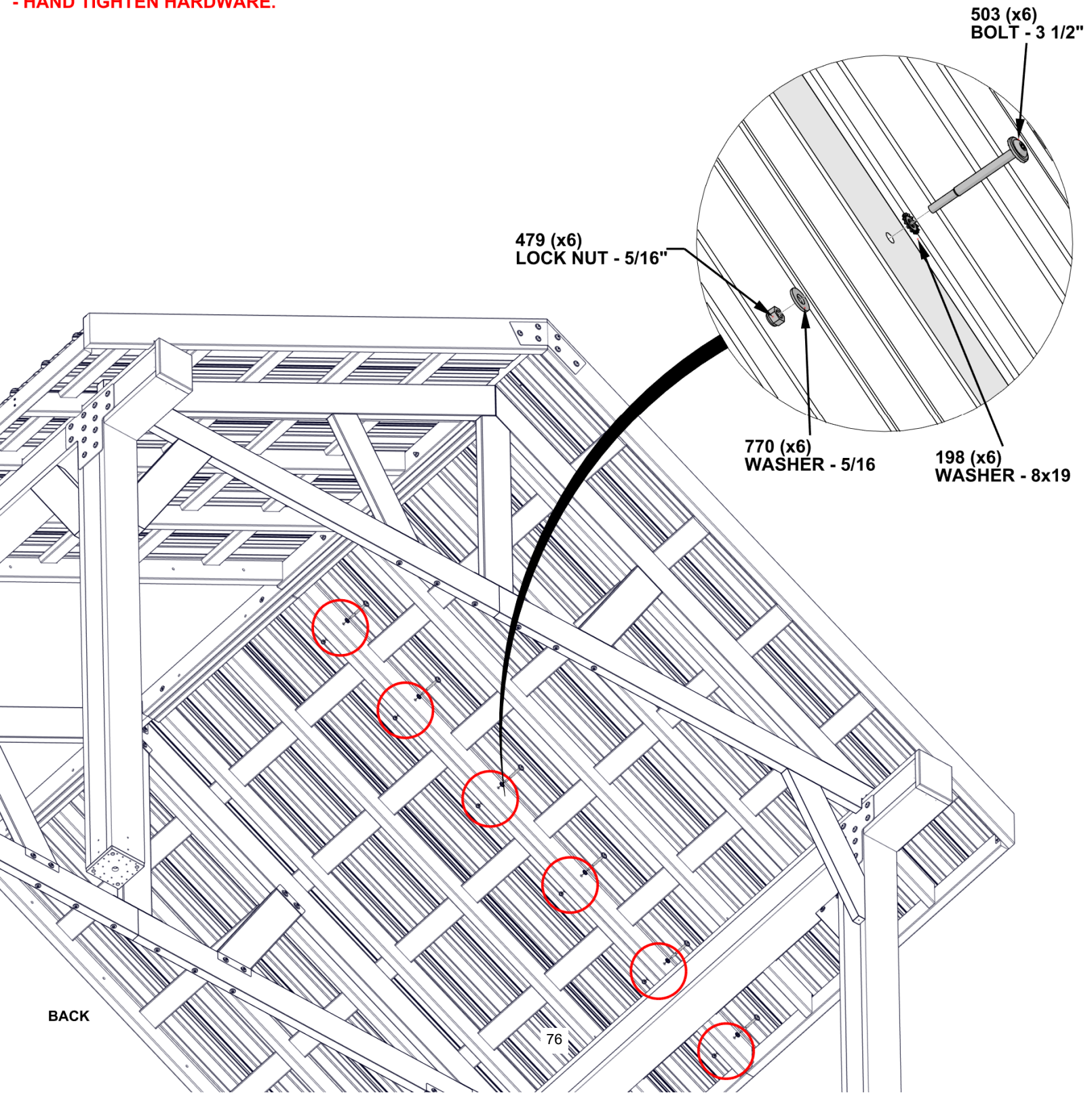
BACK

STEP 44 - ROOF ASSEMBLY

QTY	PART NUMBER	DESCRIPTION
6	H100770	WASHER FLAT 5/16 BLK
6	H100503	BOLT WH 5/16x3 1/2 BLK
6	H100479	NUT LOCK 5/16 BLK
6	H100198	WASHER LOCK EXT 8x19

**REUSE HARDWARE SET
ASIDE WHEN PANELS
WERE SEPERATED**

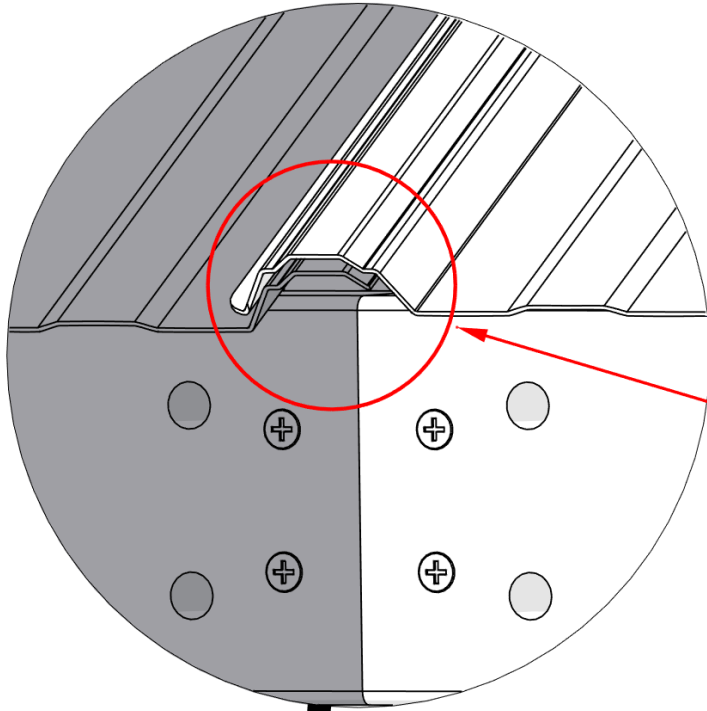
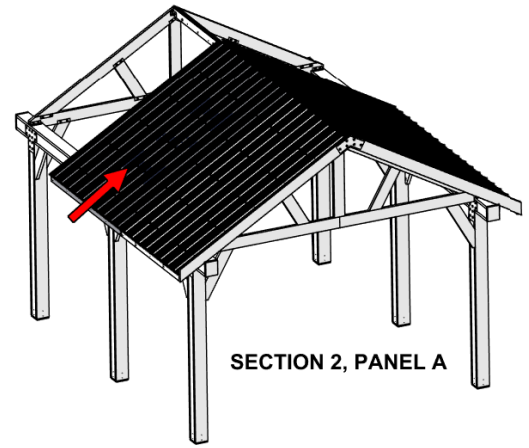
- HAND TIGHTEN HARDWARE.



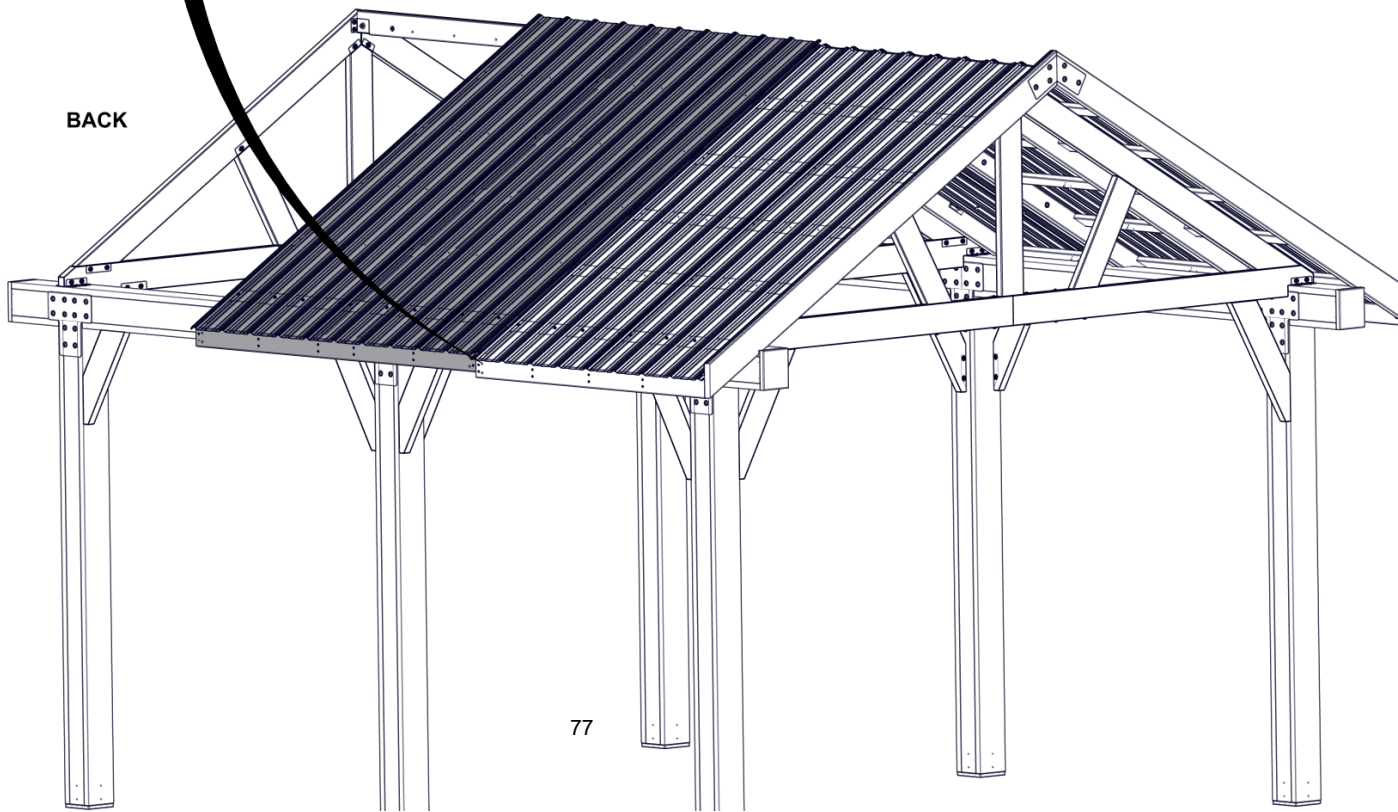
STEP 45 - ROOF ASSEMBLY

CRITICAL:

- IT IS IMPORTANT THAT THE PANELS ARE INSTALLED AS SHOWN.
- PARTIAL RIB MUST BE INSTALLED UNDER FULL RIB.
- FAILURE TO DO SO WILL RESULT IN LEAKING.
- MUST SLIDE PANEL UP FROM BOTTOM WITH RIBS OVERLAPPING.

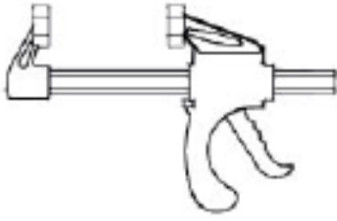


ENSURE FULL RIB IS ATTACHED ON TOP OF PARTIAL RIB



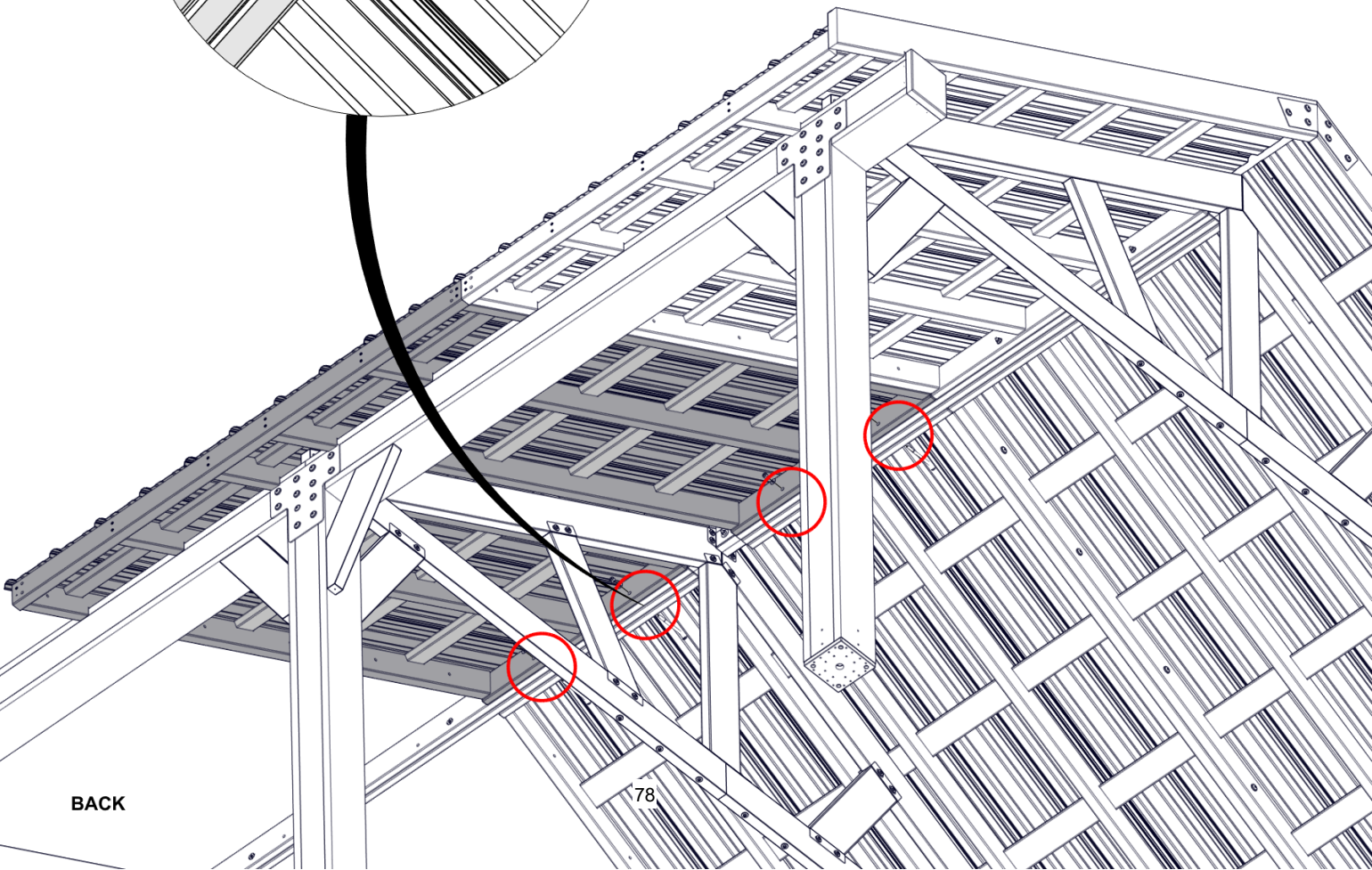
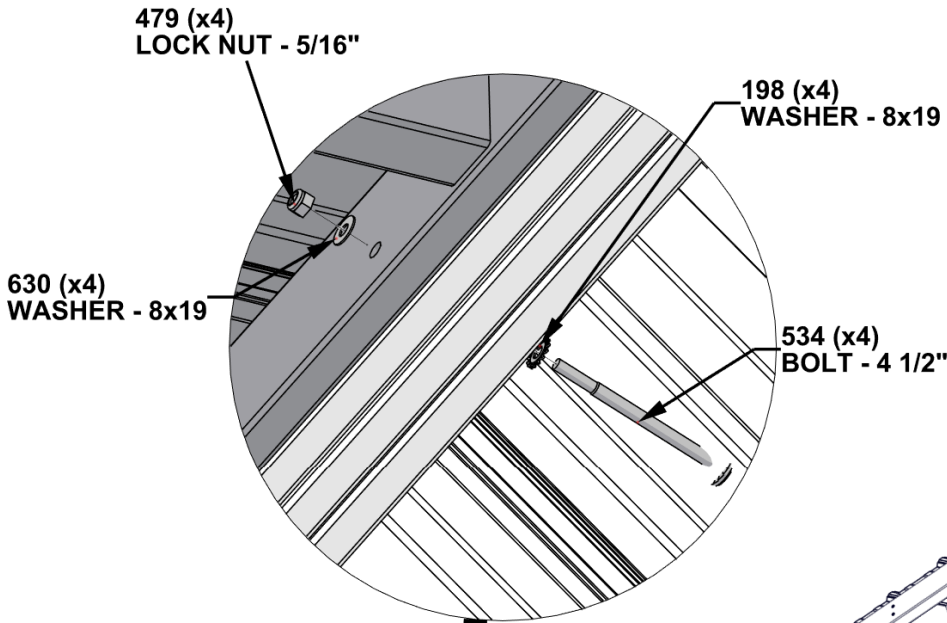
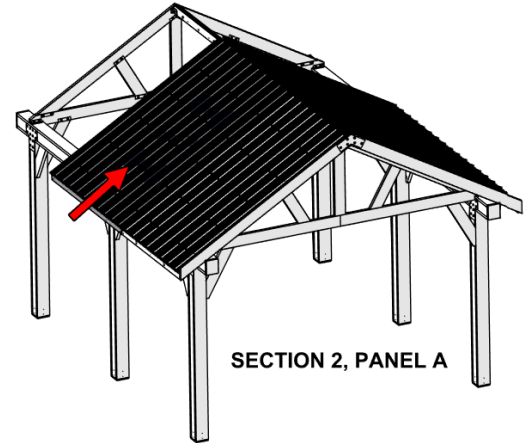
STEP 46 - ROOF ASSEMBLY

QTY	PART NUMBER	DESCRIPTION
4	H100630	WASHER FLAT 8x19 BLK
4	H100534	BOLT WH 5/16x4 1/2 BLK
4	H100479	NUT LOCK 5/16 BLK
4	H100198	WASHER LOCK EXT 8x19



A6P00460 6" QUICK RELEASE CLAMP

- HAND TIGHTEN HARDWARE.



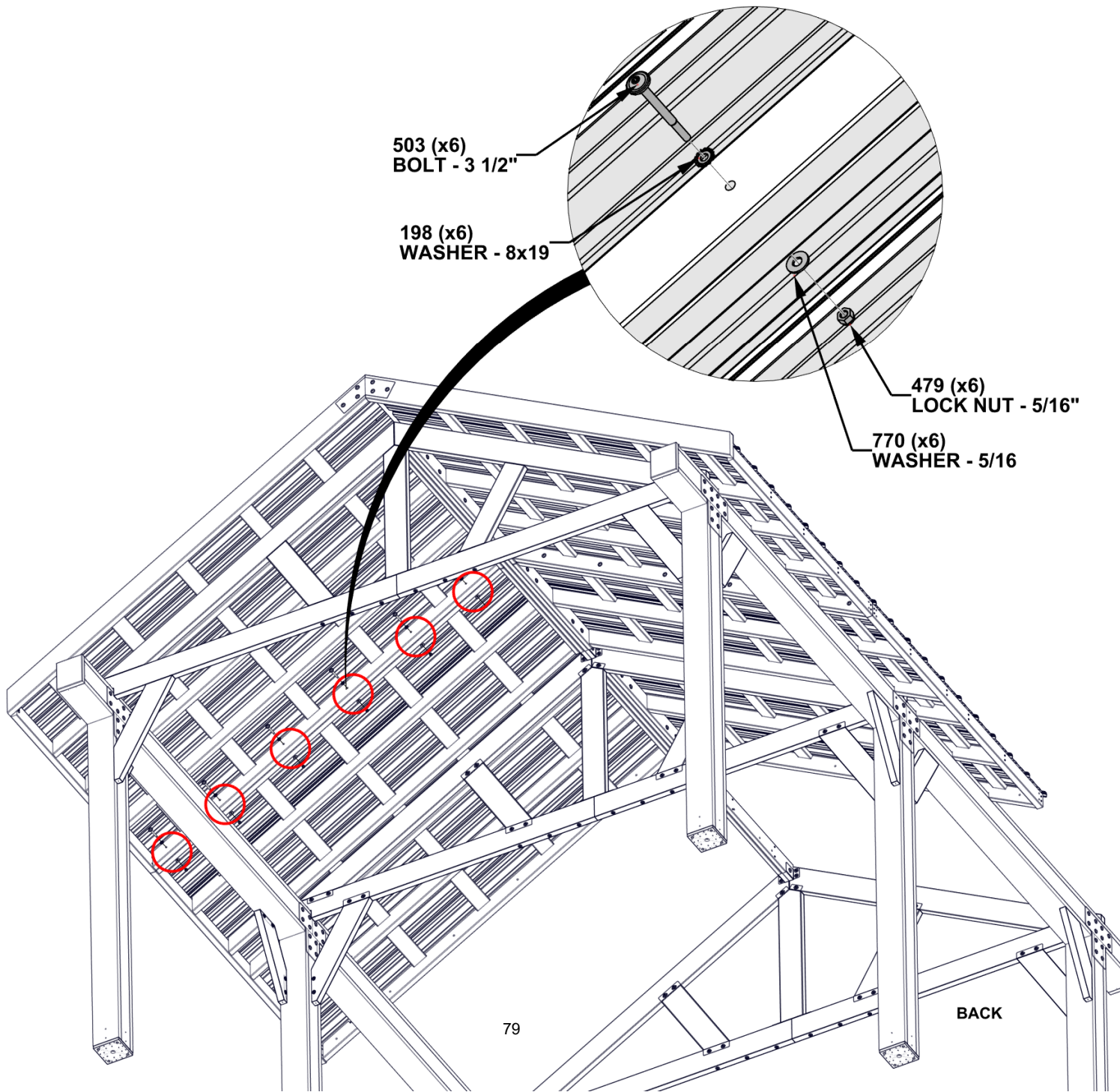
BACK

STEP 47 - ROOF ASSEMBLY

QTY	PART NUMBER	DESCRIPTION
6	H100770	WASHER FLAT 5/16 BLK
6	H100503	BOLT WH 5/16x3 1/2 BLK
6	H100479	NUT LOCK 5/16 BLK
6	H100198	WASHER LOCK EXT 8x19

**REUSE HARDWARE SET
ASIDE WHEN PANELS
WERE SEPERATED**

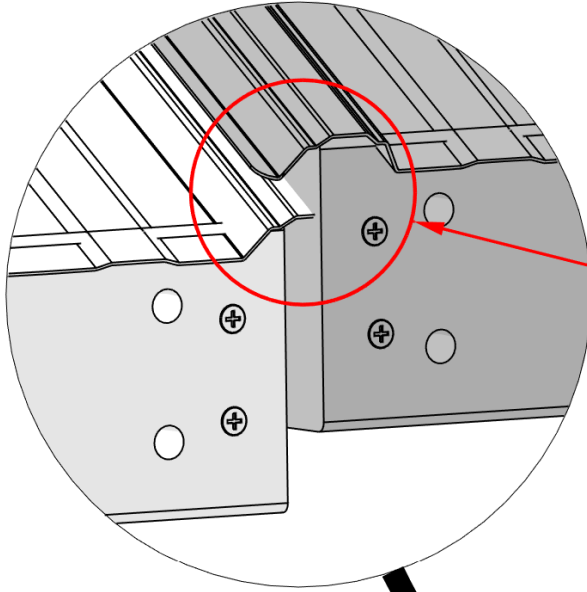
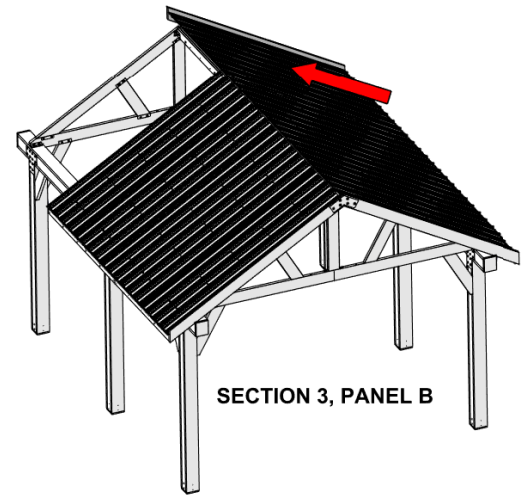
- HAND TIGHTEN HARDWARE.



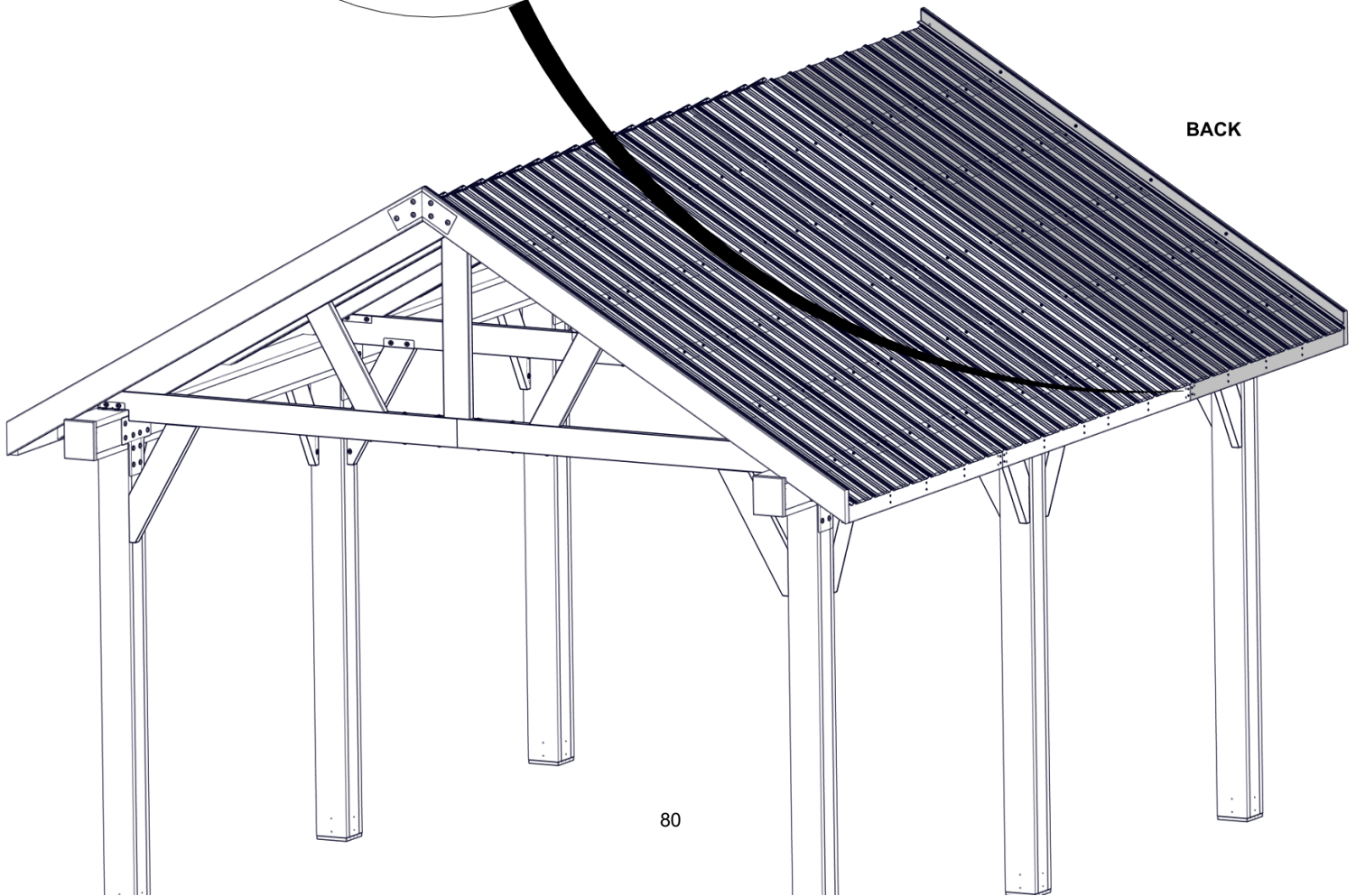
STEP 48 - ROOF ASSEMBLY

CRITICAL:

- IT IS IMPORTANT THAT THE PANELS ARE INSTALLED AS SHOWN.
- PARTIAL RIB MUST BE INSTALLED UNDER FULL RIB.
- FAILURE TO DO SO WILL RESULT IN LEAKING.
- MUST SLIDE PANEL UP FROM BOTTOM WITH RIBS OVERLAPPING.

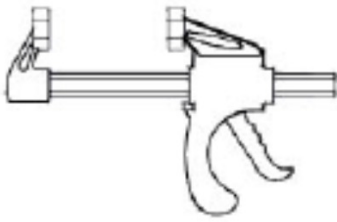


ENSURE FULL RIB IS ATTACHED ON TOP OF PARTIAL RIB



STEP 49 - ROOF ASSEMBLY

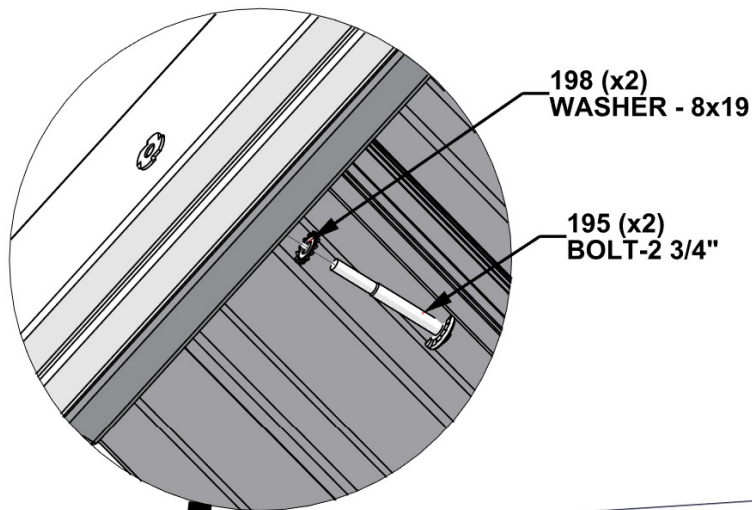
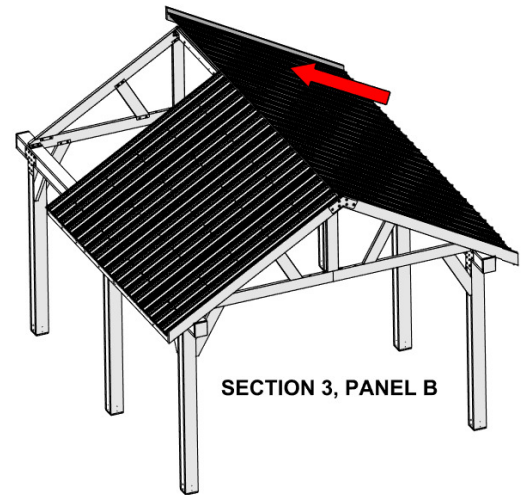
QTY	PART NUMBER	DESCRIPTION
2	H100198	WASHER LOCK EXT 8x19
2	H100195	BOLT WH 5/16x2 3/4 BLK



A6P00460 6" QUICK RELEASE CLAMP

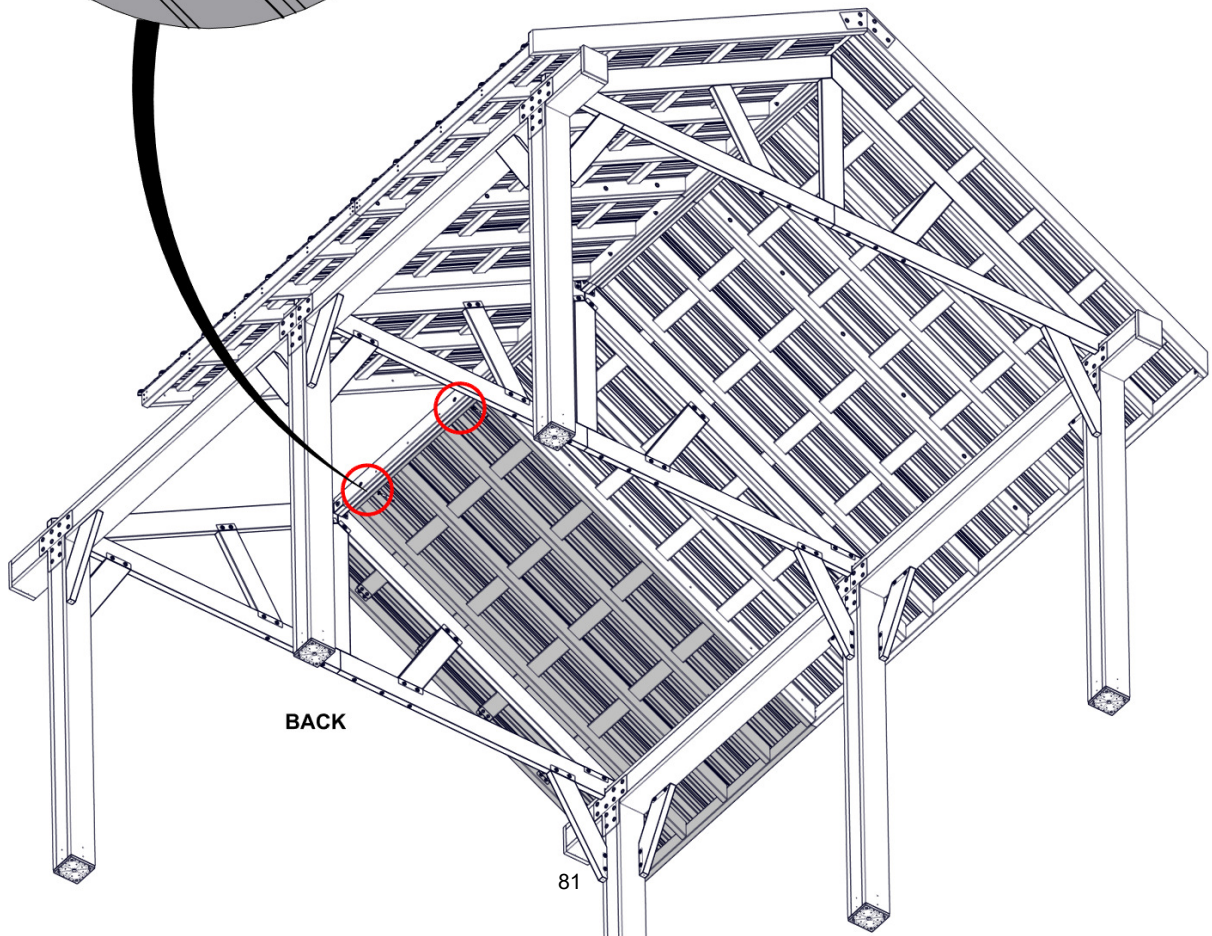
- HAND TIGHTEN HARDWARE.

- ADDITIONAL PEOPLE ARE HELPFUL FOR THIS STEP.
- SLIDE ROOF PANEL ALONG GABLE BEAM.
- ALIGN HOLES AND ATTACH HARDWARE AS SHOWN.
- USE A6P00460 QUICK RELEASE CLAMPS IF NEEDED.



198 (x2)
WASHER - 8x19

195 (x2)
BOLT-2 3/4"



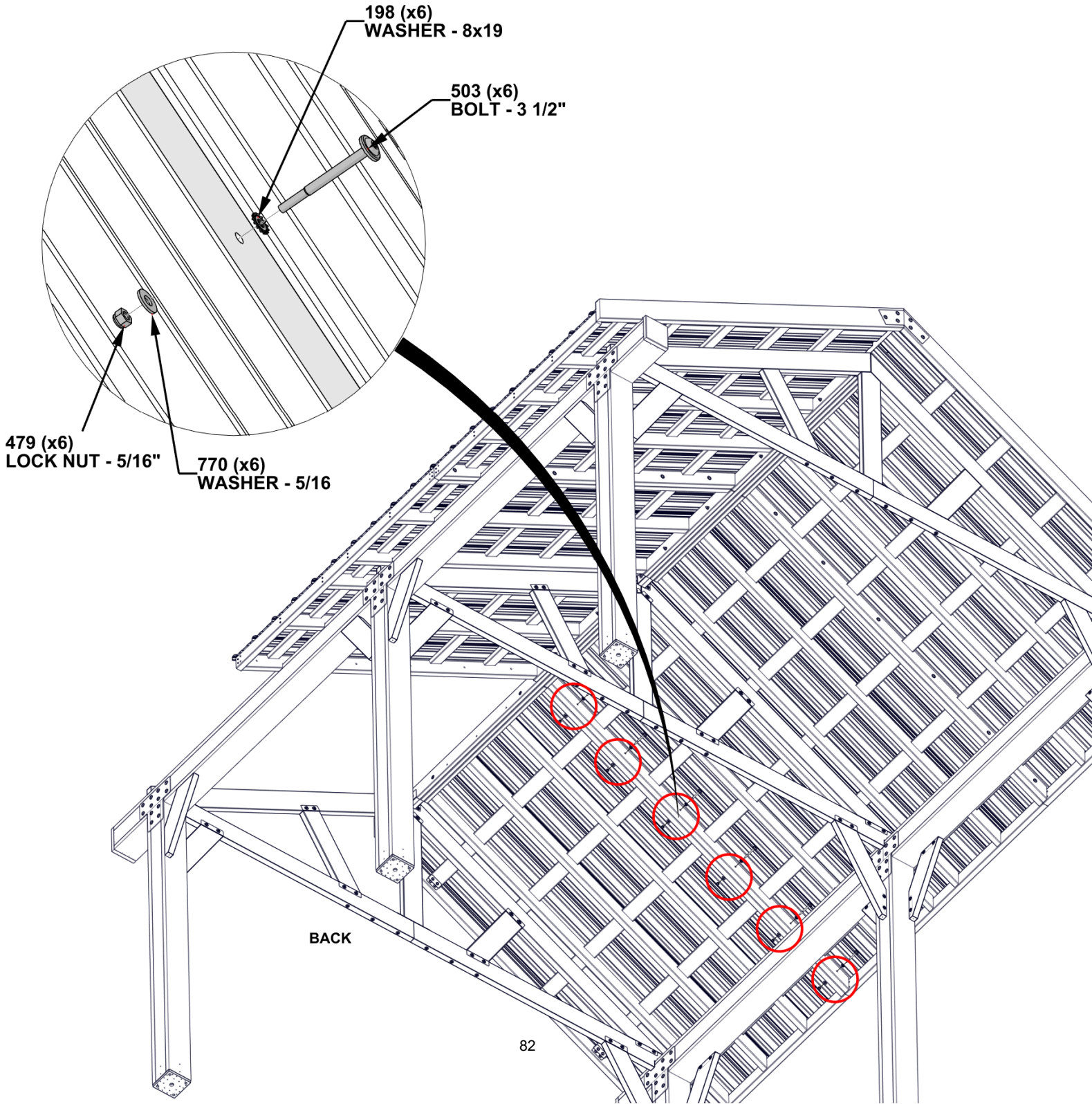
BACK

STEP 50 - ROOF ASSEMBLY

QTY	PART NUMBER	DESCRIPTION
6	H100770	WASHER FLAT 5/16 BLK
6	H100503	BOLT WH 5/16x3 1/2 BLK
6	H100479	NUT LOCK 5/16 BLK
6	H100198	WASHER LOCK EXT 8x19

**REUSE HARDWARE SET
ASIDE WHEN PANELS
WERE SEPERATED**

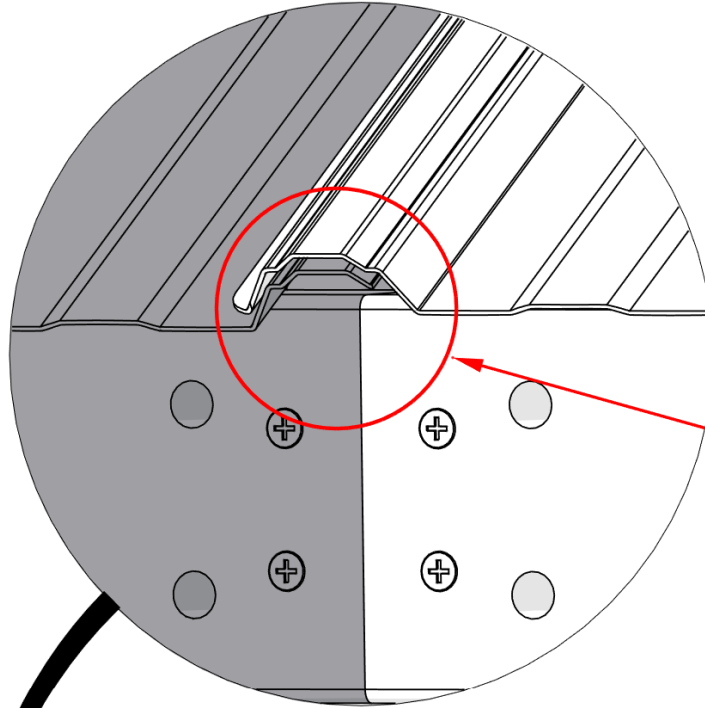
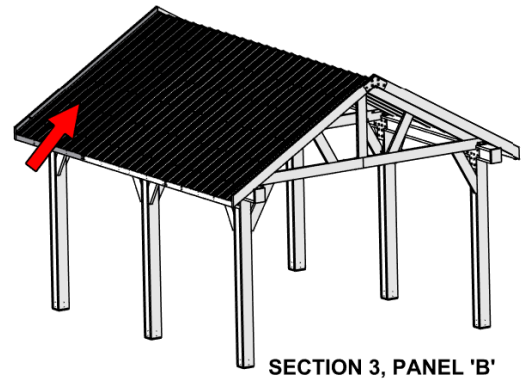
- HAND TIGHTEN HARDWARE.



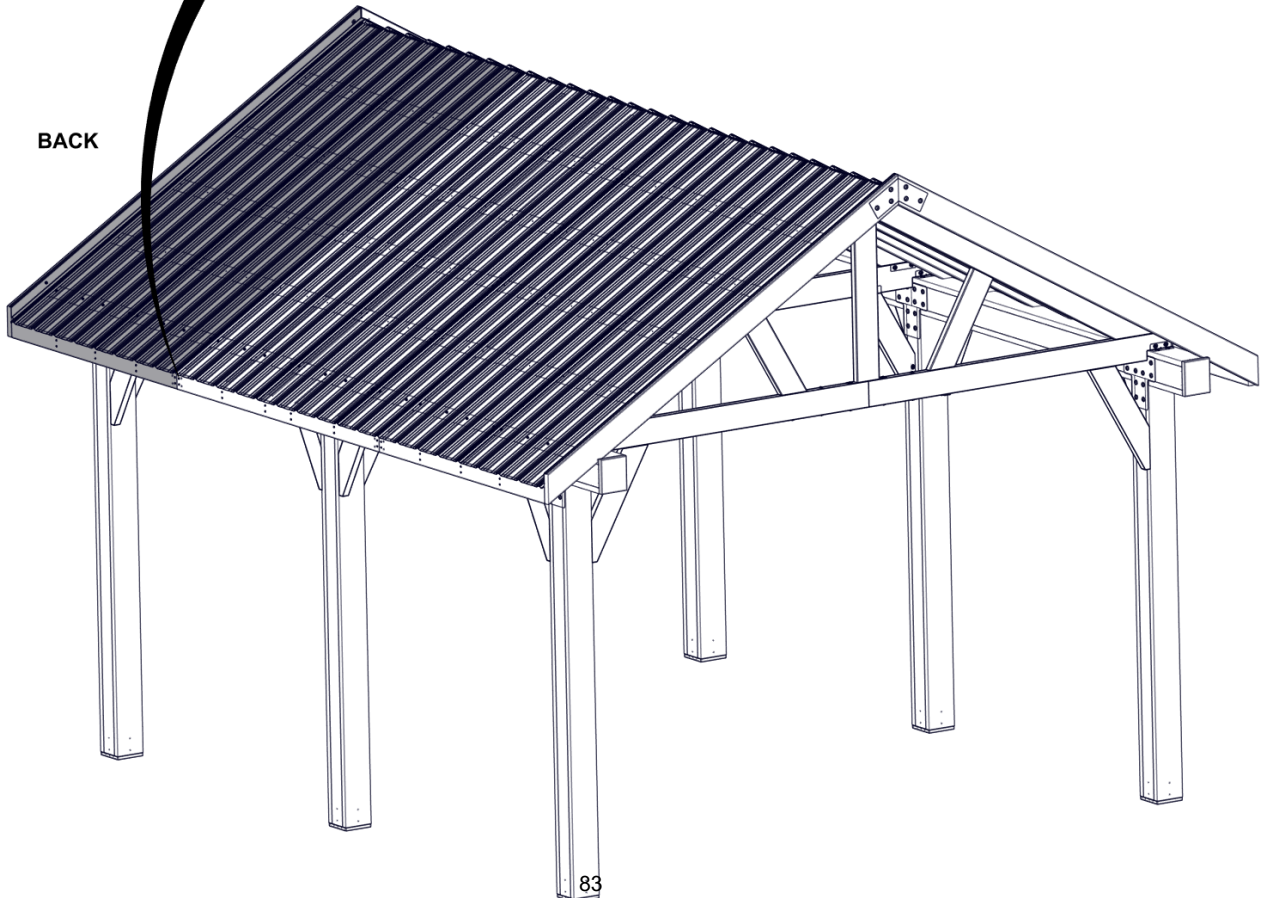
STEP 51 - ROOF ASSEMBLY

CRITICAL:

- IT IS IMPORTANT THAT THE PANELS ARE INSTALLED AS SHOWN.
- PARTIAL RIB MUST BE INSTALLED UNDER FULL RIB.
- FAILURE TO DO SO WILL RESULT IN LEAKING.
- MUST SLIDE PANEL UP FROM BOTTOM WITH RIBS OVERLAPPING.

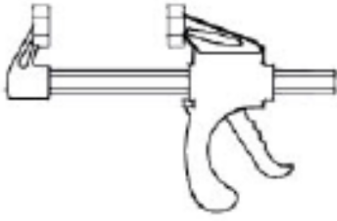


ENSURE FULL RIB IS
ATTACHED ON TOP OF
PARTIAL RIB



STEP 52 - ROOF ASSEMBLY

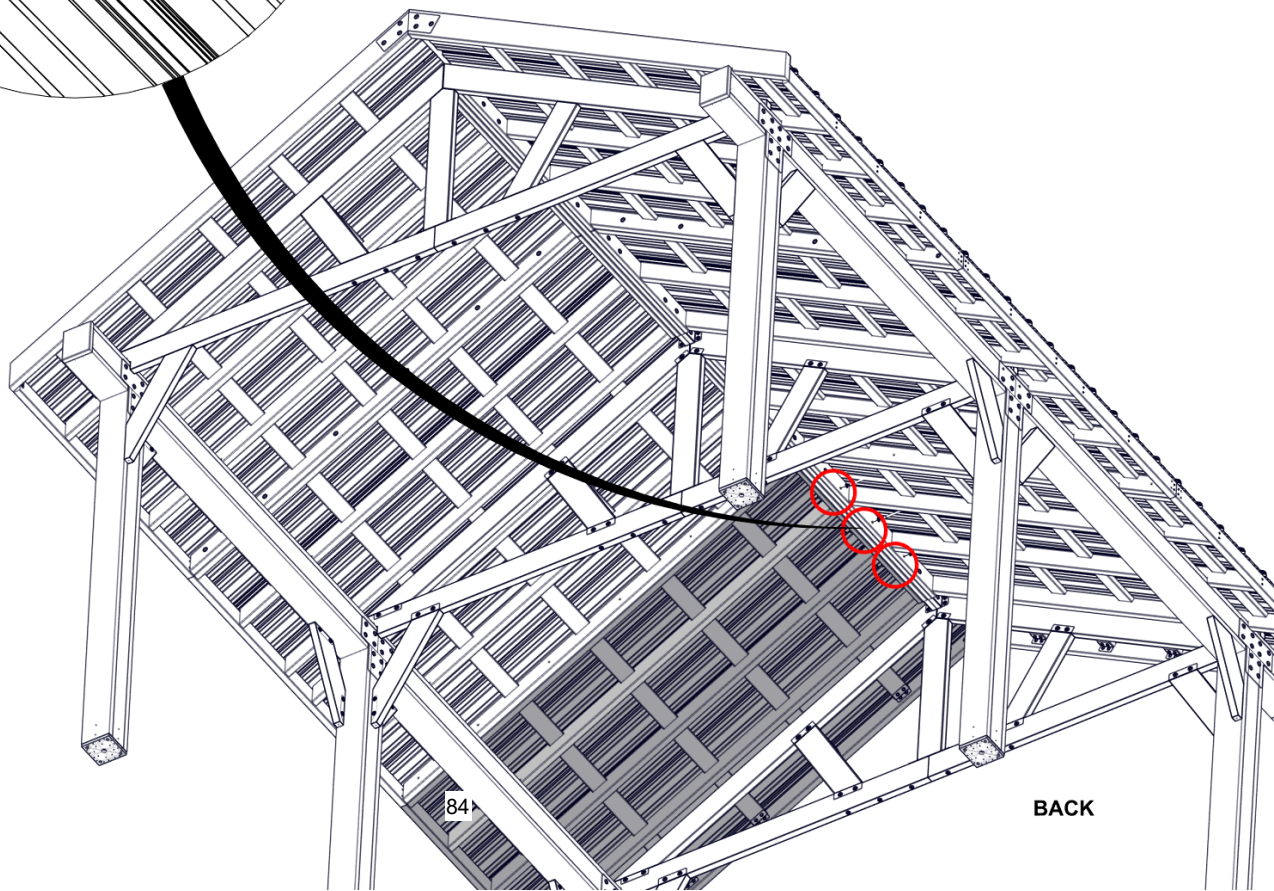
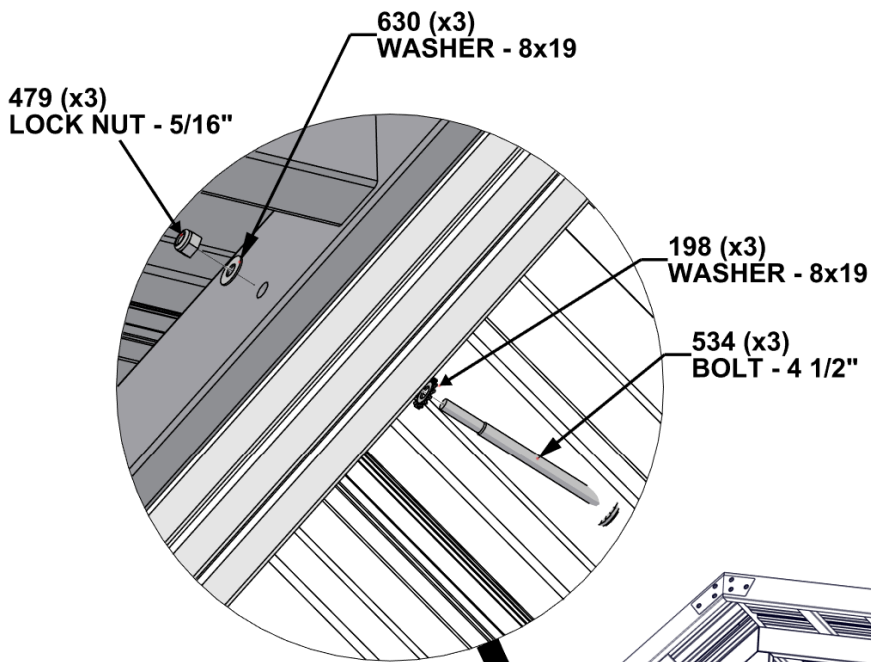
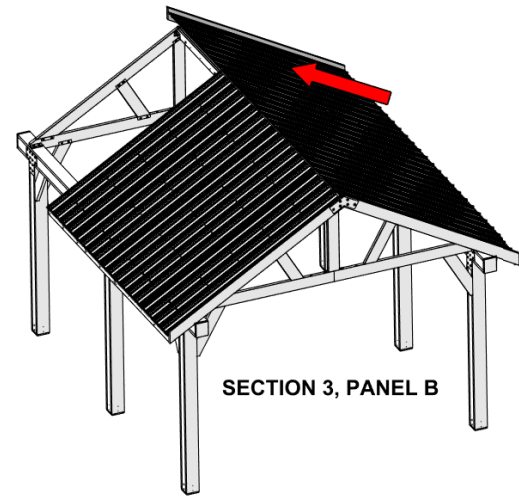
QTY	PART NUMBER	DESCRIPTION
3	H100630	WASHER FLAT 8x19 BLK
3	H100534	BOLT WH 5/16x4 1/2 BLK
3	H100479	NUT LOCK 5/16 BLK
3	H100198	WASHER LOCK EXT 8x19



A6P00460 6" QUICK RELEASE CLAMP

- HAND TIGHTEN HARDWARE.

- ADDITIONAL PEOPLE ARE HELPFUL FOR THIS STEP.
- SLIDE ROOF PANEL ALONG GABLE BEAM.
- ALIGN HOLES AND ATTACH HARDWARE AS SHOWN.
- USE A6P00460 QUICK RELEASE CLAMPS IF NEEDED.

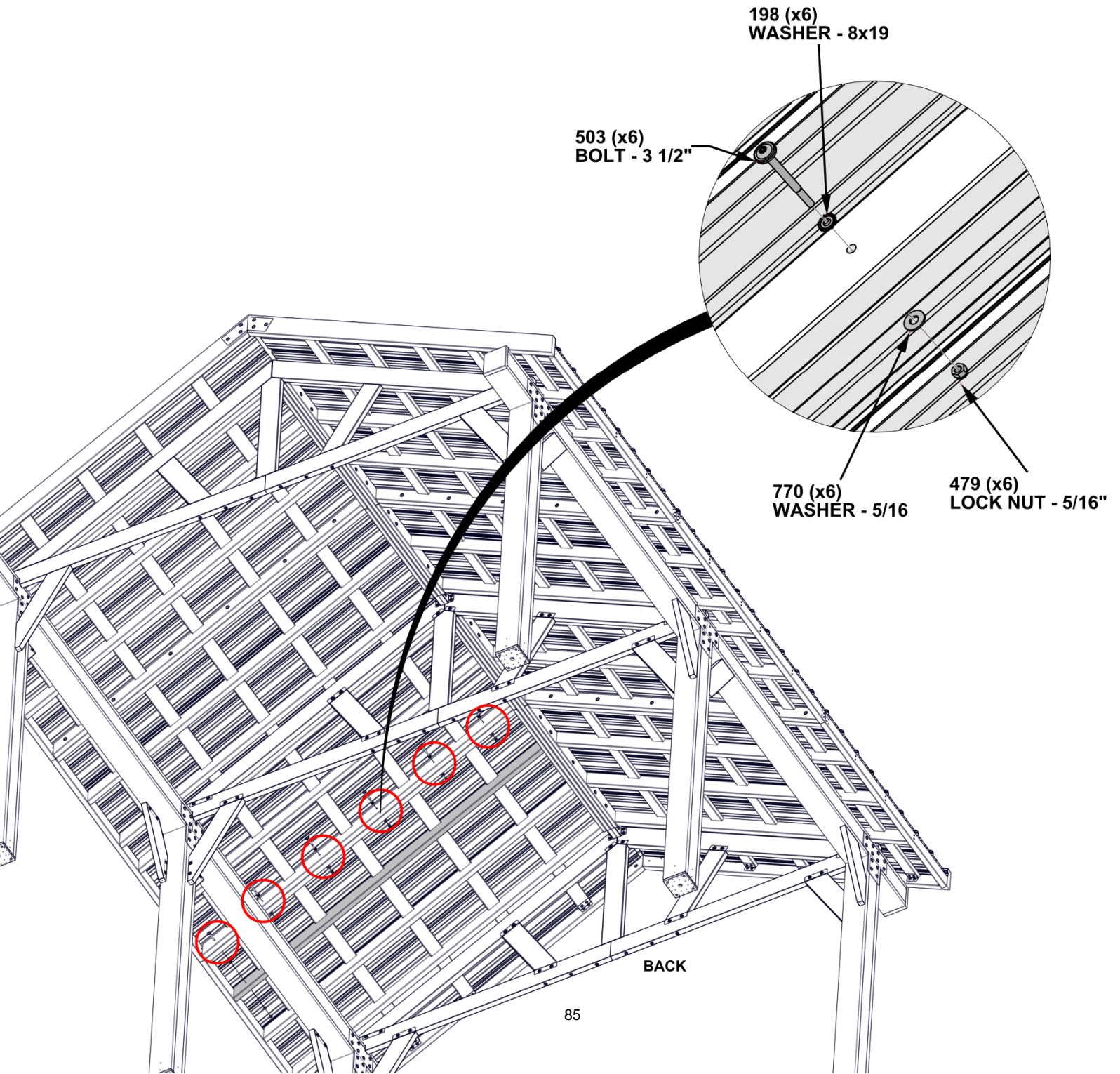


STEP 53 - ROOF ASSEMBLY

QTY	PART NUMBER	DESCRIPTION
6	H100770	WASHER FLAT 5/16 BLK
6	H100503	BOLT WH 5/16x3 1/2 BLK
6	H100479	NUT LOCK 5/16 BLK
6	H100198	WASHER LOCK EXT 8x19

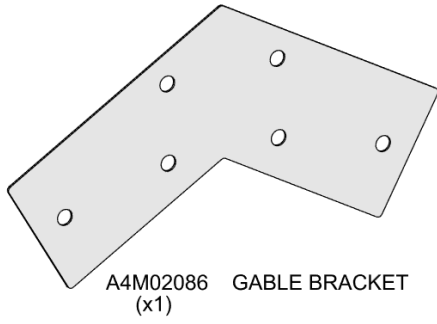
**REUSE HARDWARE SET
ASIDE WHEN PANELS
WERE SEPERATED**

- HAND TIGHTEN HARDWARE.

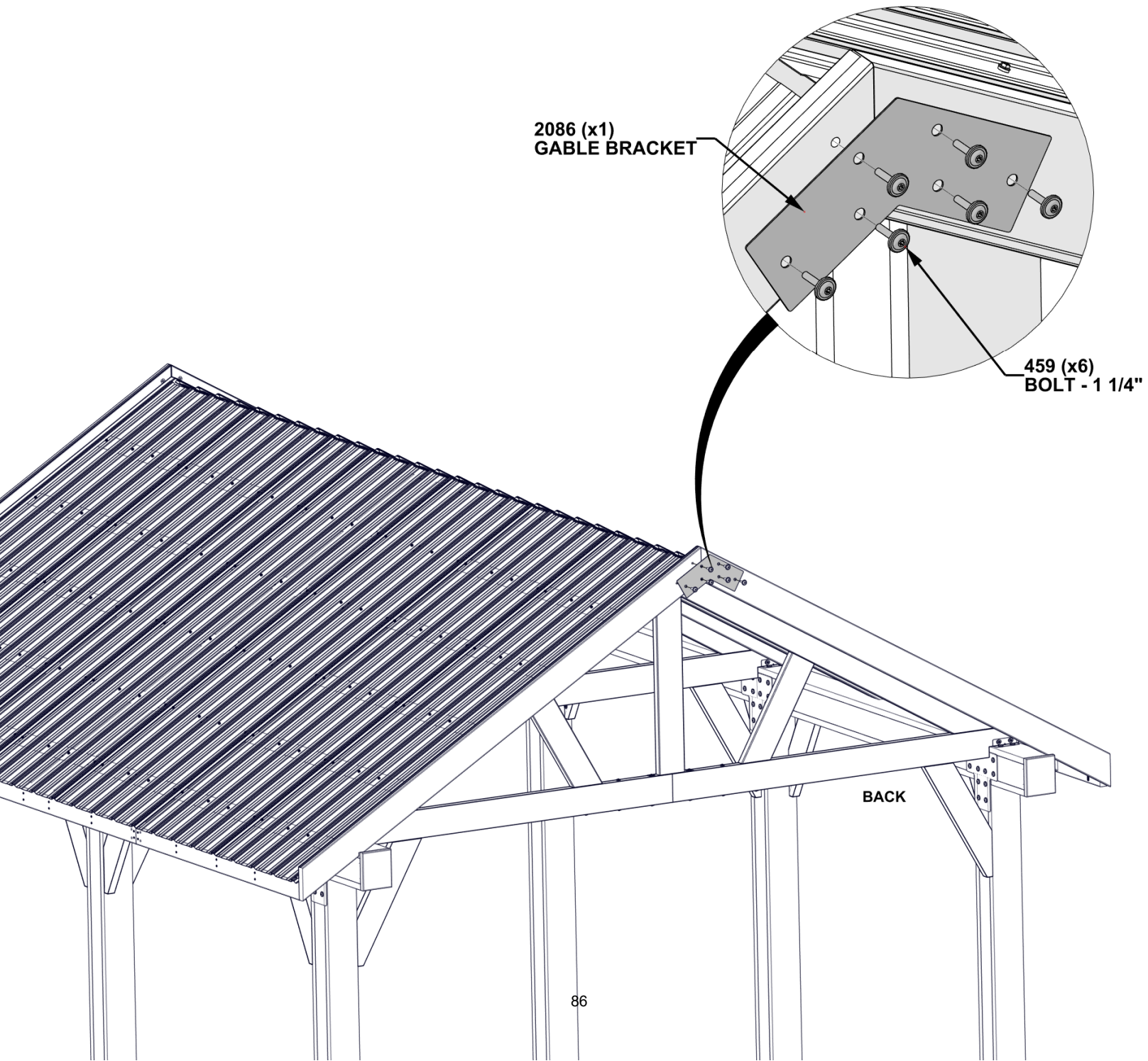


STEP 54 - ROOF ASSEMBLY

QTY	PART NUMBER	DESCRIPTION
6	H100459	BOLT WH 5/16x1 1/4 BLK

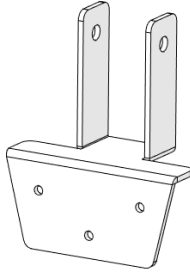


- FASTEN HARDWARE INTO T-NUTS INSTALLED IN D01 AND D02 BOARDS.
- HAND TIGHTEN HARDWARE.
- AFTER HARDWARE HAS BEEN HAND TIGHTENED, FULLY TIGHTEN ALL HARDWARE.



STEP 55 - ROOF ASSEMBLY

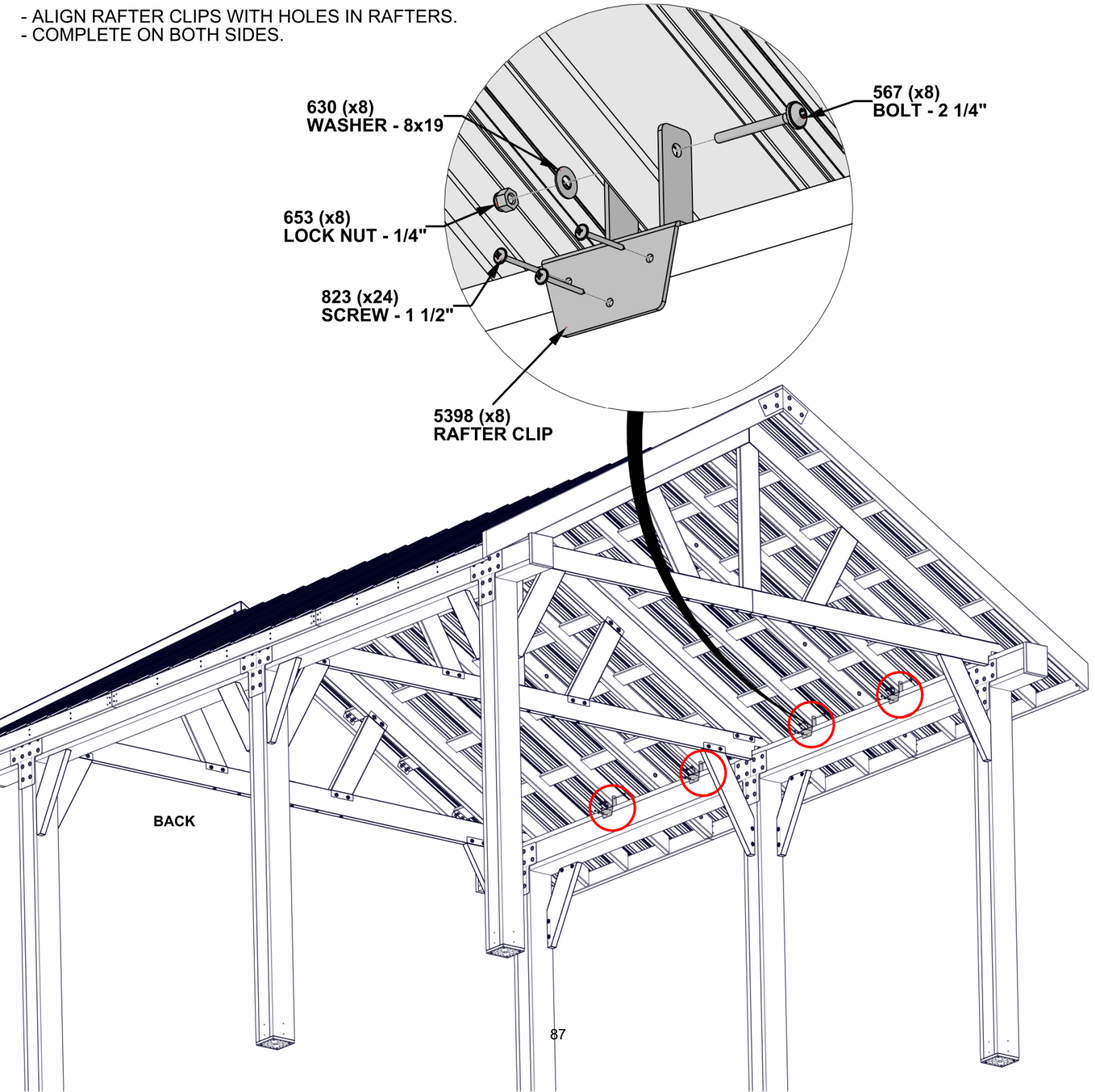
QTY	PART NUMBER	DESCRIPTION
24	H100823	SCREW PWH 8x1 1/2 BLK
8	H100653	NUT LOCK 1/4 BLK
8	H100630	WASHER FLAT 8x19 BLK
8	H100567	BOLT WH 1/4x2 1/4 BLK



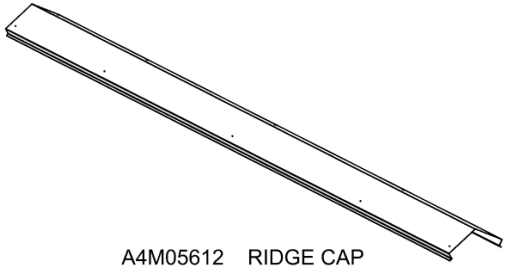
A4M05398 RAFTER CLIP
(x8)

- HAND TIGHTEN SCREWS THEN FULLY TIGHTEN AFTER ALL HARDWARE HAS BEEN INSTALLED.

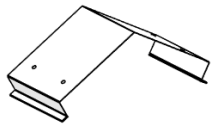
- ALIGN RAFTER CLIPS WITH HOLES IN RAFTERS.
- COMPLETE ON BOTH SIDES.



STEP 56A - RIDGE CAP ASSEMBLY

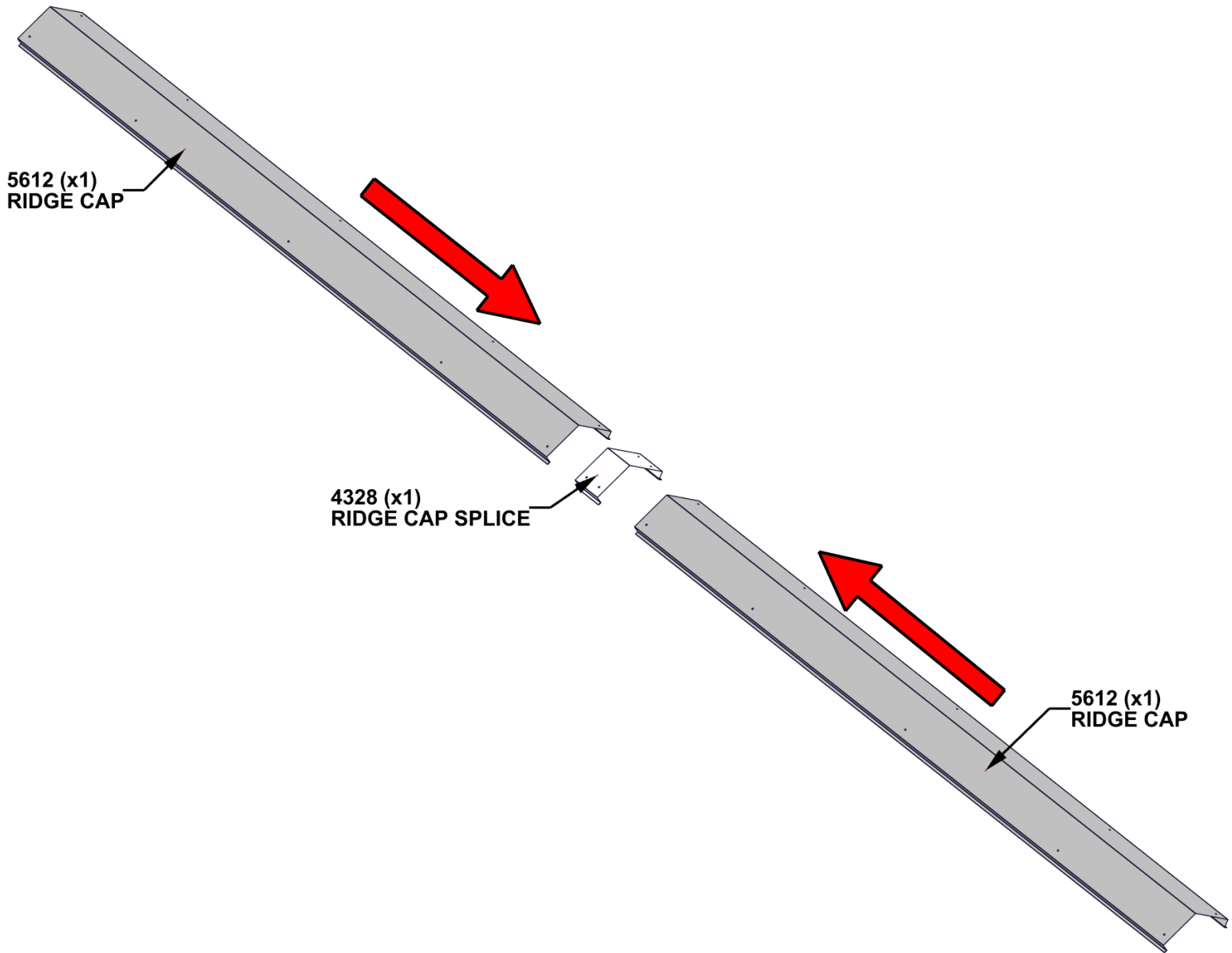


A4M05612 RIDGE CAP
(x2)



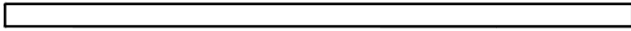
A4M04328 RIDGE CAP SPLICE
(x1)

- REMOVE PROTECTIVE BLUE FILM.
- GLOVES SHOULD BE WORN WHEN HANDLING ROOF PANELS: EDGES ARE SHARP.
- SLIDE EACH RIDGE CAP INTO THE RIDGE CAP SPLICE UNTIL CENTERED.

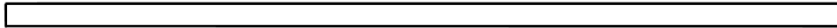


STEP 56B - RIDGE CAP ASSEMBLY

QTY	PART NUMBER	DESCRIPTION
20	H101117	SCREW WOODGRIP 10-16x3/4" BLK



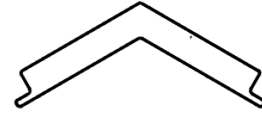
J02 RIDGE CAP STIFFENER - W4L21957
(x2) 15/16"X2 3/8"X62 3/4" (24x60x1595)



J03 RIDGE CAP STIFFENER - W4L21958
(x2) 15/16"X2 3/8"X82 5/8" (24x60x2100)



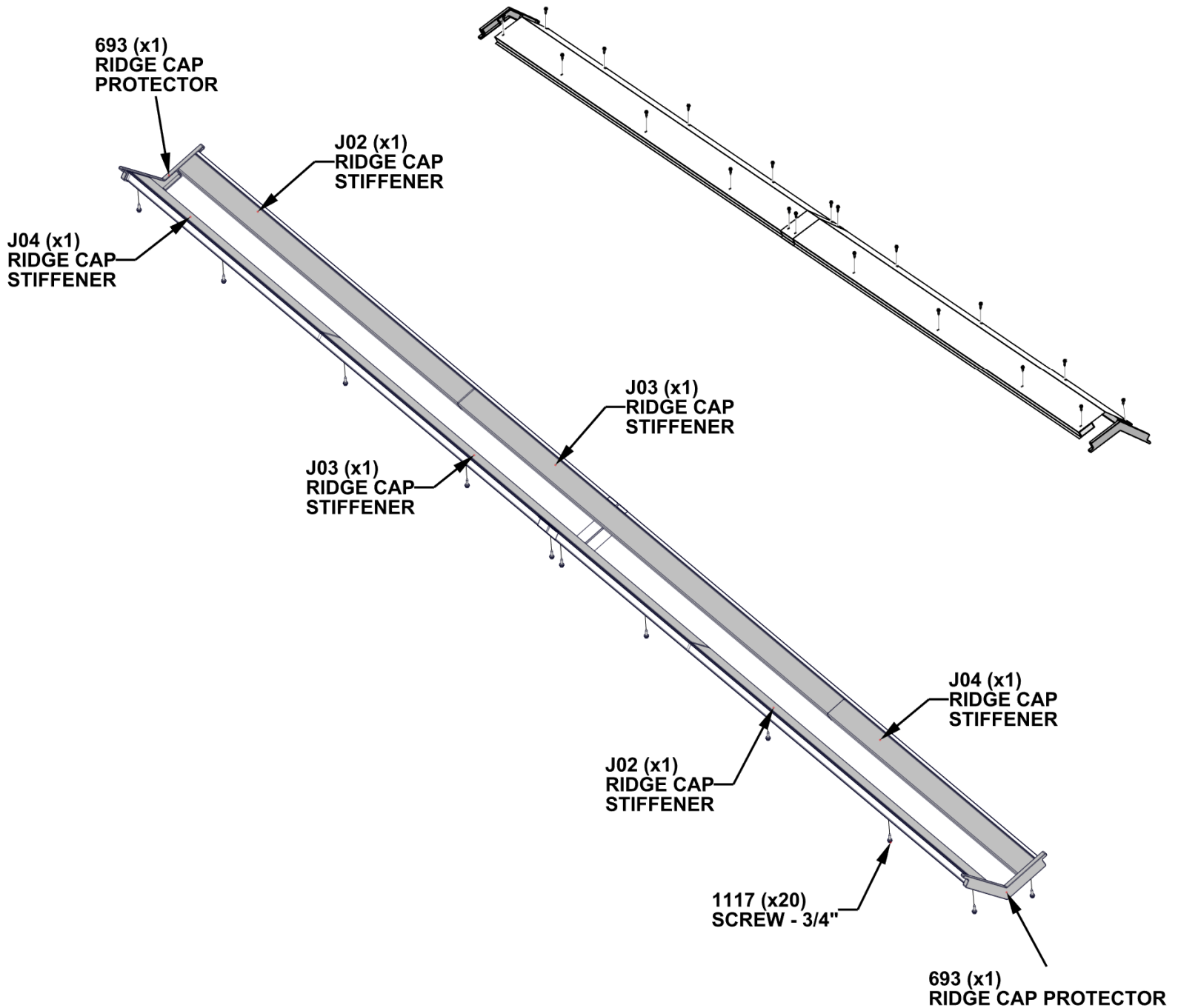
J04 RIDGE CAP STIFFENER - W4L21959
(x2) 15/16"X2 3/8"X42 7/8" (24x60x1090)



A6P00693 RIDGE CAP PROTECTOR
(x2)

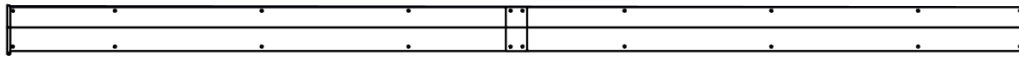
- REMOVE SPACERS FROM RIDGE CAP PROTECTORS BEFORE INSTALLING.
- ALIGN THE HOLES ON EACH RIDGE CAP WITH THE HOLES IN THE RIDGE CAP SPLICE BEFORE INSERTING.

- FINAL ASSEMBLED LENGTH - 15'-8 9/16" [4790mm]



STEP 56C - RIDGE CAP ASSEMBLY

QTY	PART NUMBER	DESCRIPTION
24	H100392	SCREW PWH 8x3/4 BLK

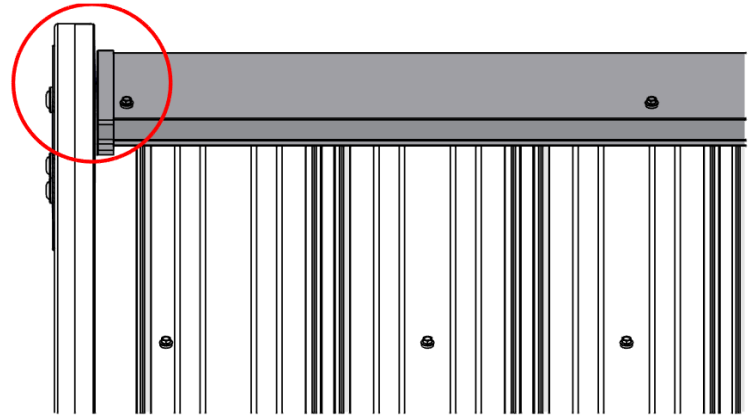


RIDGE CAP ASSEMBLY - FROM PREVIOUS STEP

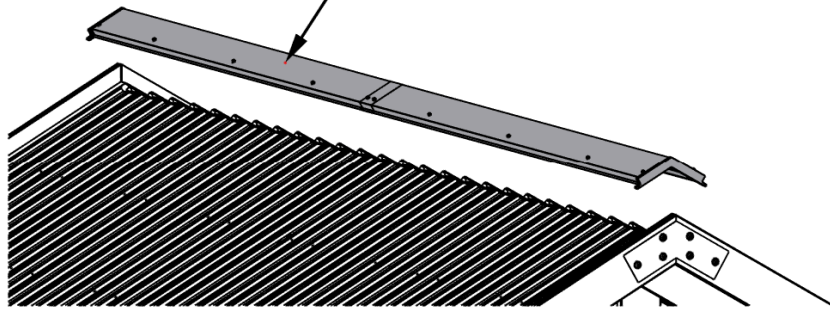
DO NOT CLIMB ON ROOF TO INSTALL. RIDGE CAP HAS BEEN DESIGNED TO INSTALL WITH THE USE OF A LADDER.

- FOR PROPER INSTALLATION, USE AN ADULT HELPER TO KEEP DOWNWARD PRESSURE ON THE RIDGE CAP WHILE SCREWING IN SCREWS.

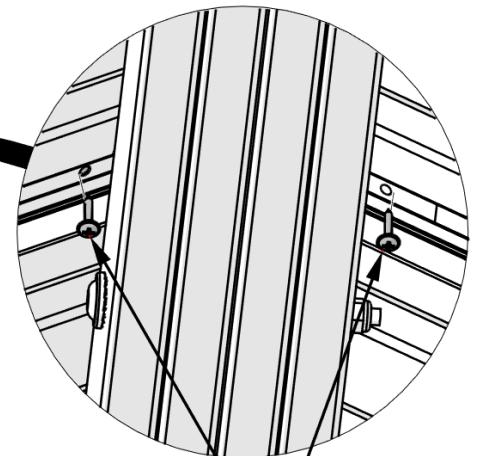
CENTER RIDGE CAP WITH APPROXIMATELY 1/8" [3mm] GAP ON EITHER SIDE.



RIDGE CAP ASSEMBLY

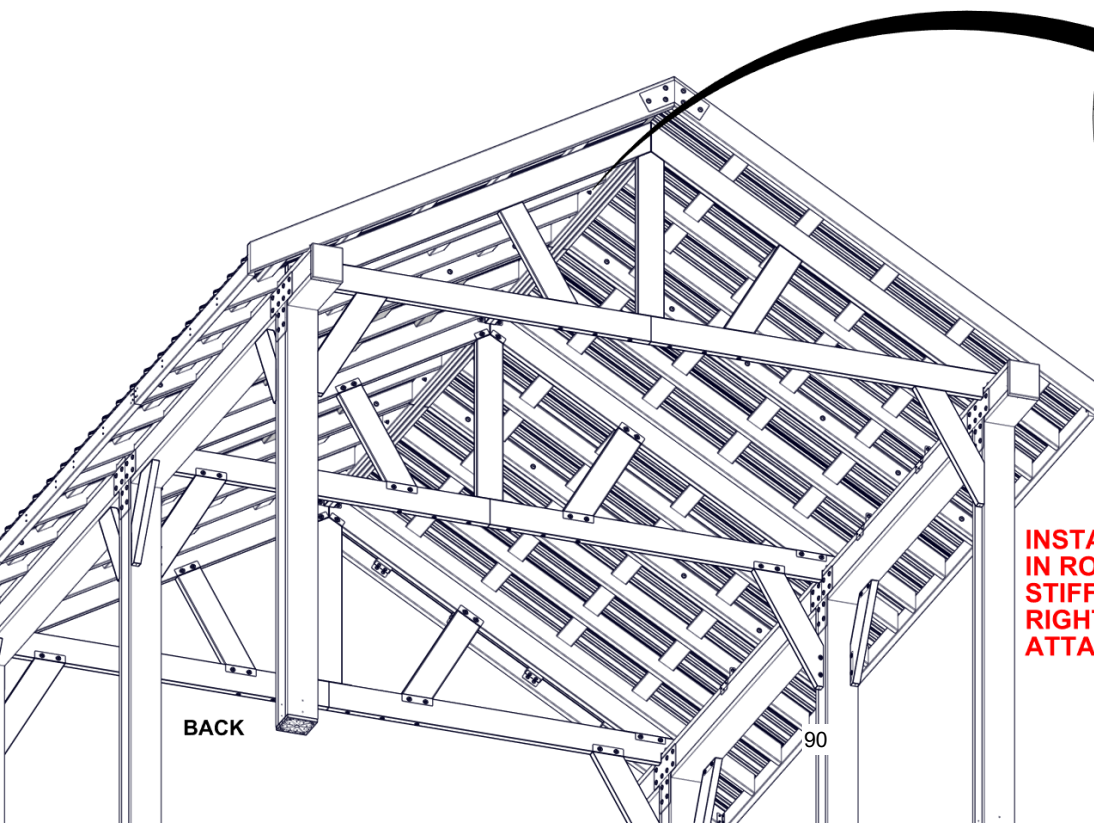


SLIDE RIDGE CAP ASSEMBLY ACROSS THE RIDGE UNTIL BOTH ENDS SIT INSIDE RAFTERS AS SHOWN.



392 (x24)
SCREW - 3/4"

INSTALL SCREWS THROUGH PILOT HOLES IN ROOF PANELS INTO RIDGE CAP STIFFENER BOARDS USING THE H101114 RIGHT ANGLE DRILL ADAPTER ATTACHMENT INCLUDED

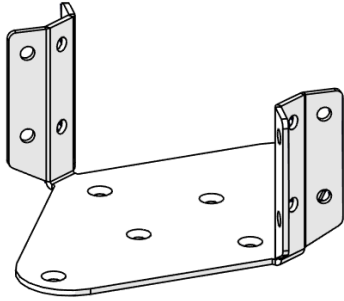


BACK

90

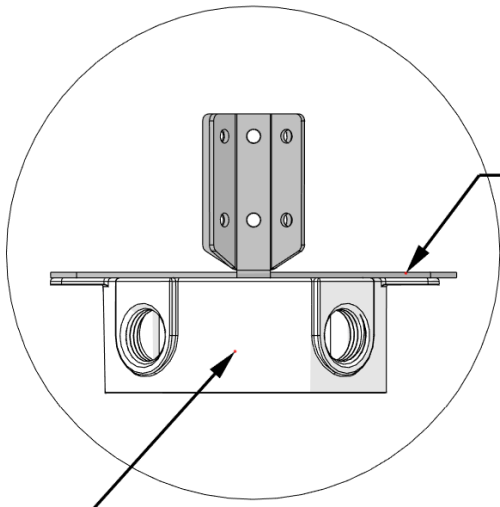
STEP 57 - GAZEBO ASSEMBLY

QTY	PART NUMBER	DESCRIPTION
8	H100391	SCREW PFH 8x2 BLK



A4M02501 FAN MOUNT BRACKET
(x2)

- BEFORE MOUNTING, ATTACH YOUR ELECTRICAL BOX (PROVIDED SEPERATELY) USING THE PROVIDED HOLES IN FAN MOUNT BRACKET.
- PLACE FAN MOUNT BRACKET ON RIDGE BEAMS AND MOVE TO DESIRED FAN LOCATION.
- ROTATED BRACKET UNTIL MOUNTING FLANGES ALIGN BEST WITH RIDGE BEAMS.
- USE AN 1/8" [3mm] DRILL BIT AND DRILL PILOT HOLES AND ATTACH AS SHOWN.
- IF BRACKET WILL NOT FIT OVER THE RIDGE BEAM, SLIGHTLY FLEX OUT BRACKET EARS TO FIT.

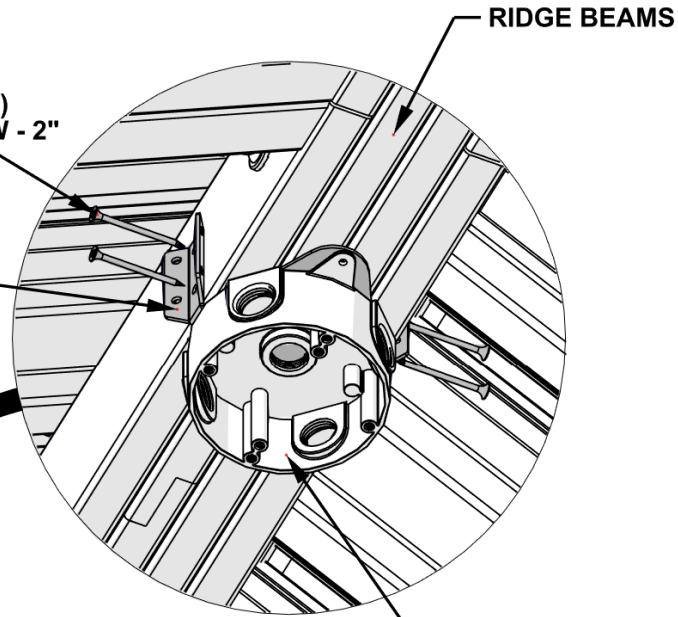


HARDWARE
BY OTHERS

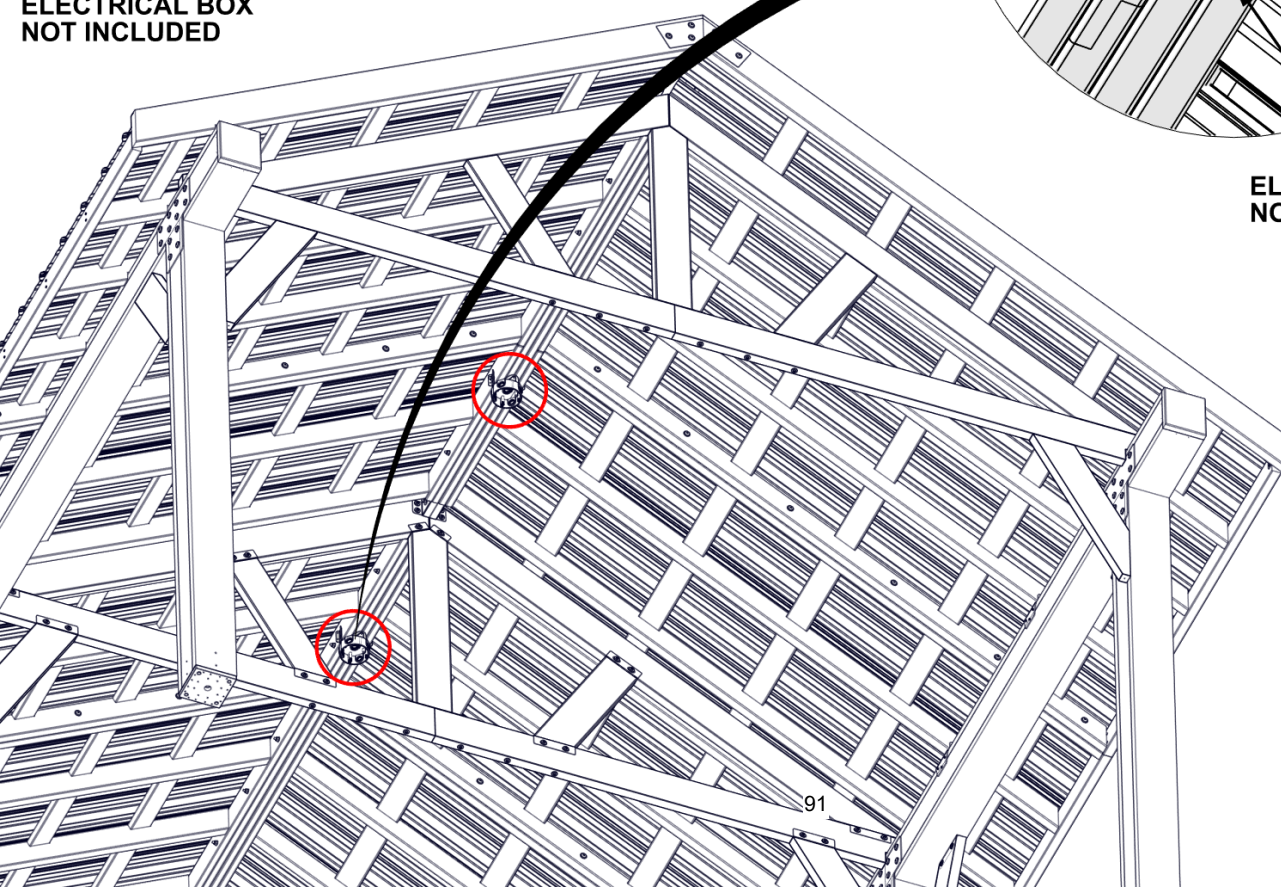
ELECTRICAL BOX
NOT INCLUDED

391 (x8)
SCREW - 2"

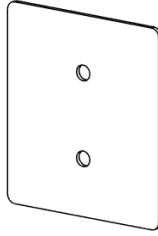
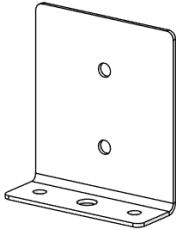
2501 (x2)
FAN MOUNT
BRACKET



ELECTRICAL BOX
NOT INCLUDED



STEP 58 - GAZEBO ASSEMBLY

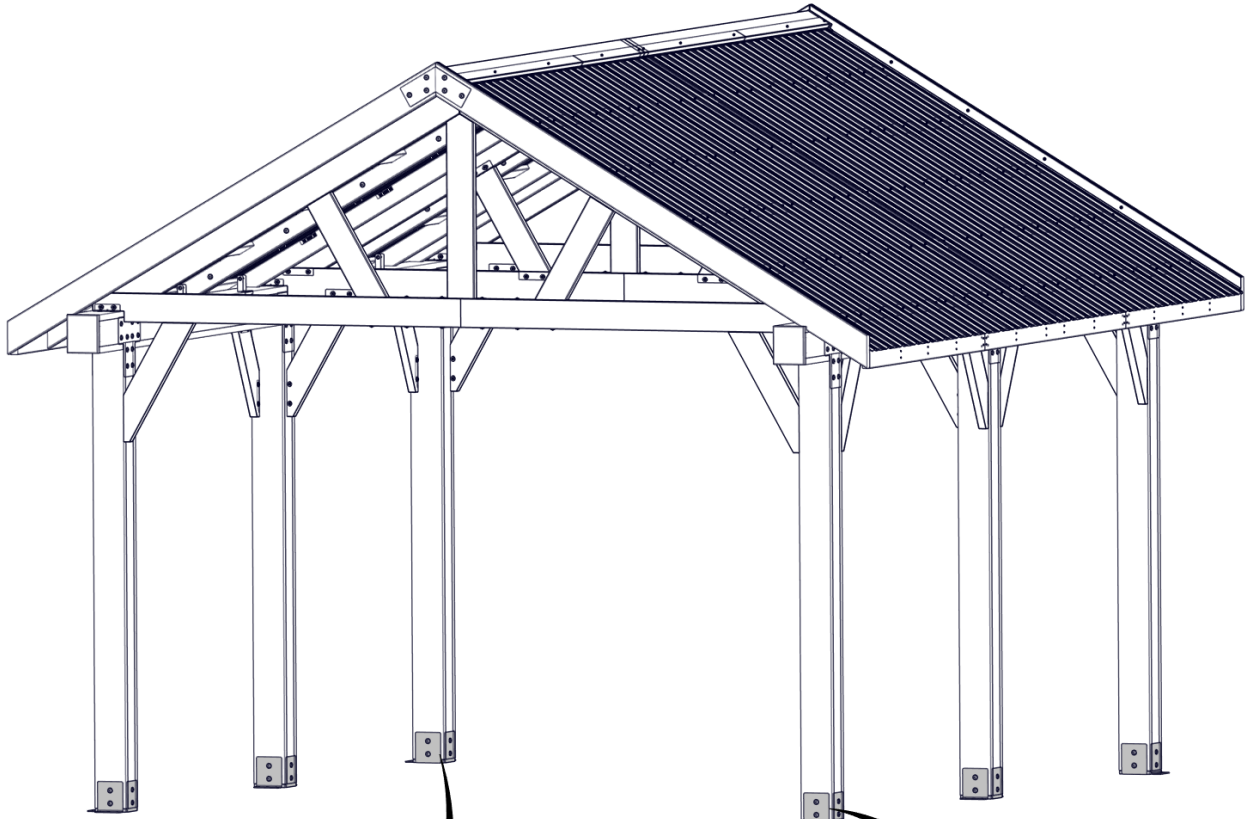


QTY	PART NUMBER	DESCRIPTION
48	H100471	LAG SCREW WH 5/16x1 1/2 BLK

A4M00977 POST ANCHORING PLATE WITH FLANGE
(x12)

A4M00978 POST PLATE
(x12)

- ALIGN POST PLATES WITH PILOT HOLES IN POST.

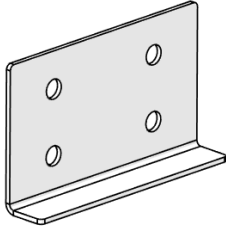


977 (x12)
POST ANCHORING
PLATE

978 (x12)
POST PLATE

471 (x48)
LAG SCREW - 1 1/2"

STEP 59 - GAZEBO ASSEMBLY

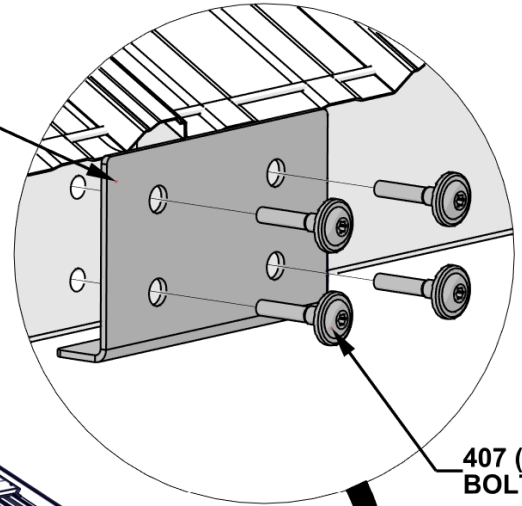


A4M01560 OUTSIDE TIE BRACKET
(x4)

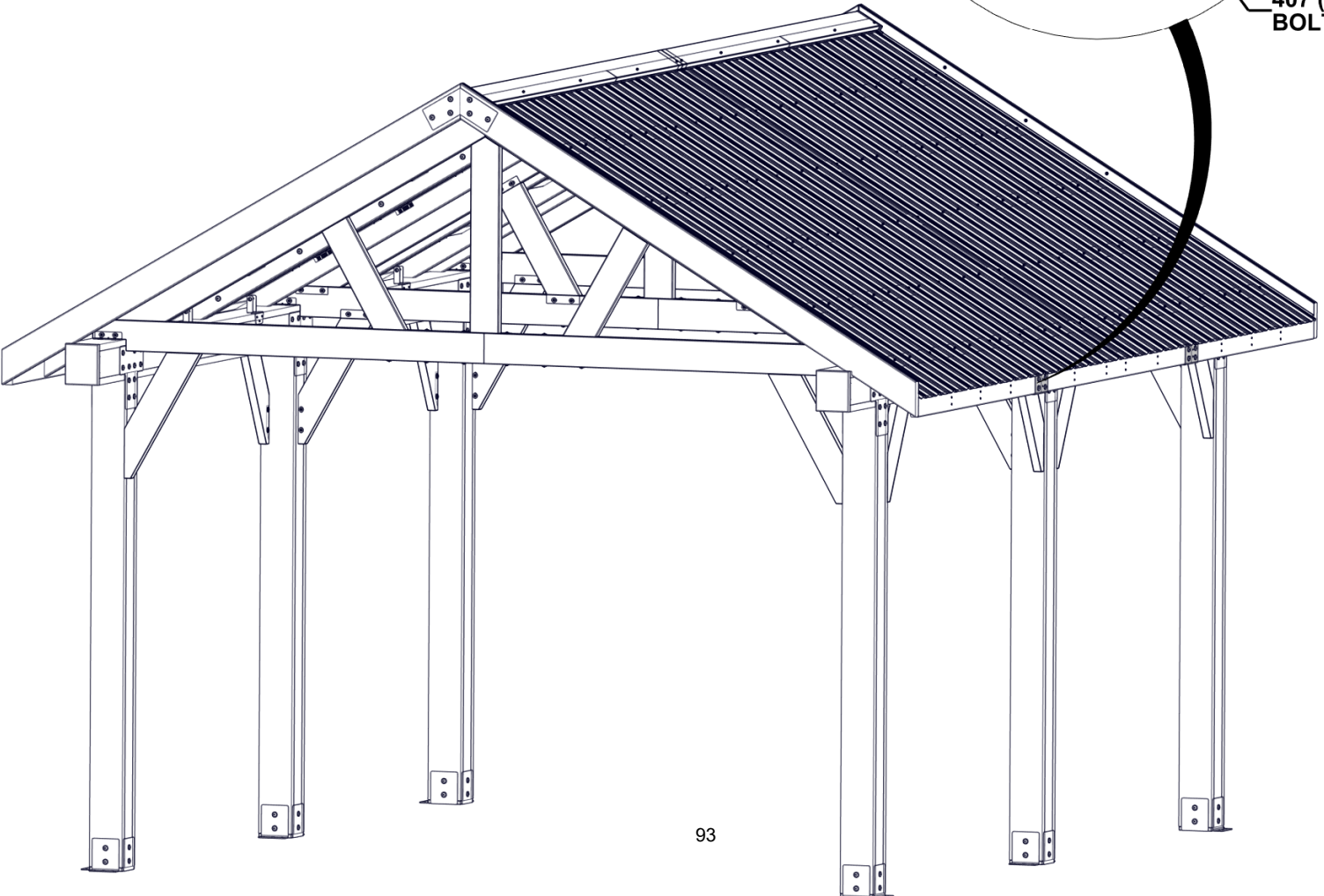
QTY	PART NUMBER	DESCRIPTION
16	H100407	BOLT WH 5/16x1 1/2 BLK

- ALIGN OUTSIDE TIE BRACKET WITH PILOT HOLES IN TRIM BOARDS ON BOTH SIDES.
- ATTACH USING HARDWARE INTO T-NUTS INSTALLED IN PREVIOUS STEPS.
- NOTE ORIENTATION OF 560 OUTSIDE TIE BRACKET.
- COMPLETE ON BOTH SIDES.

560 (x4)
OUTSIDE TIE BRACKET



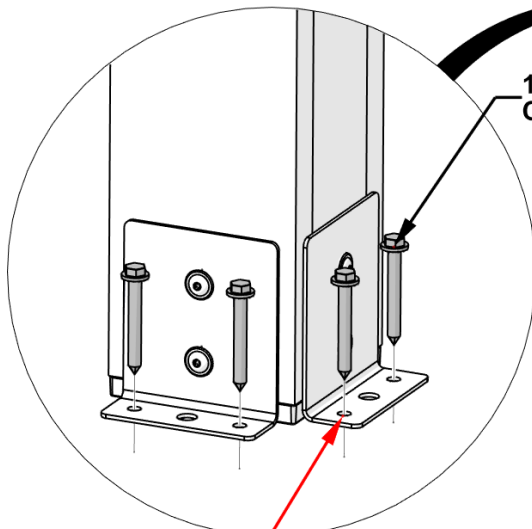
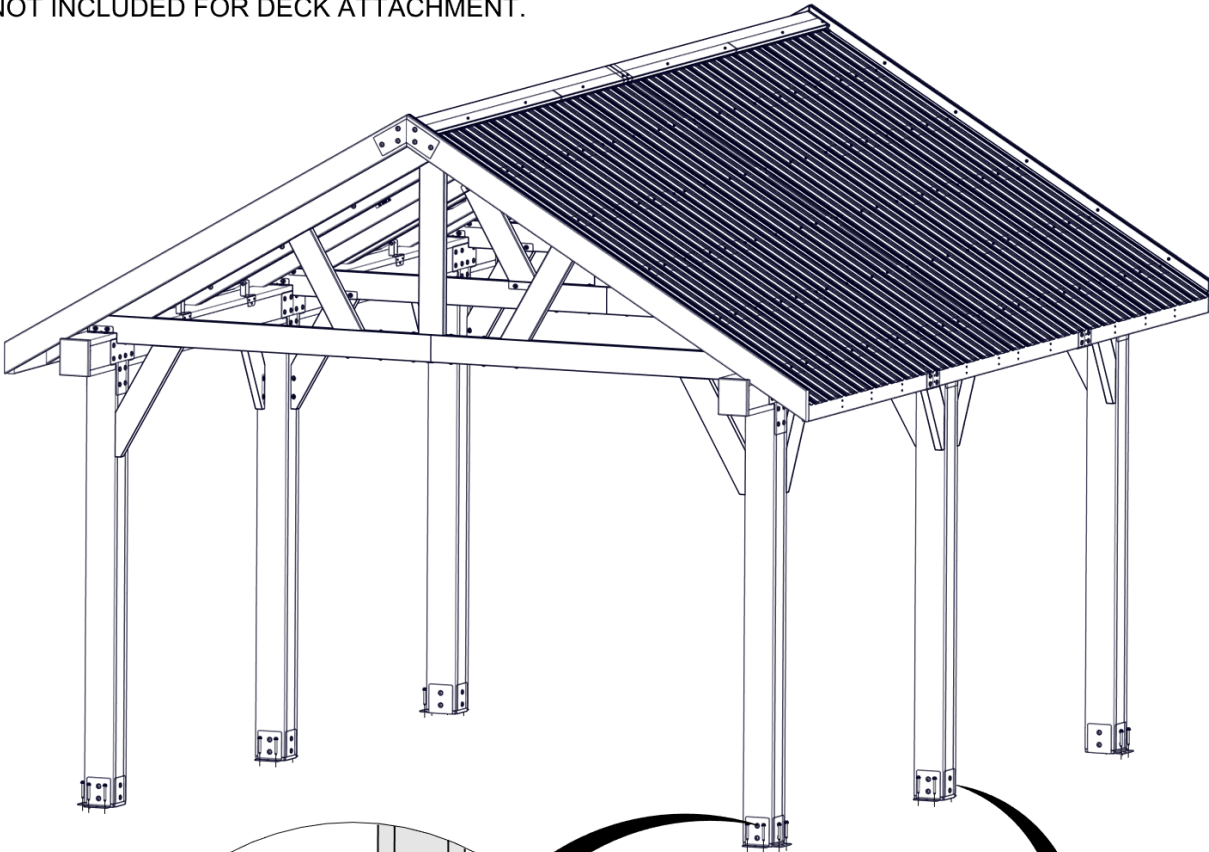
407 (x16)
BOLT - 1 1/2"



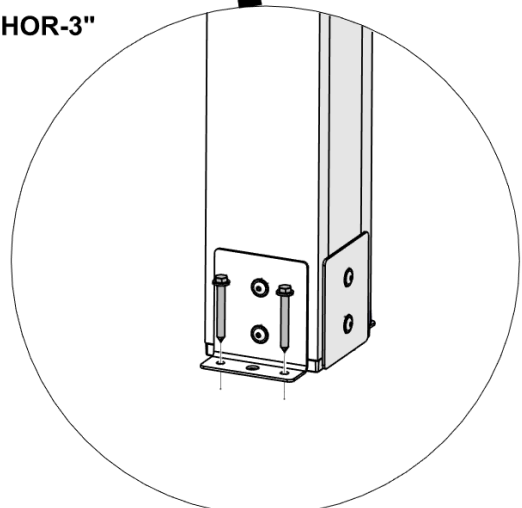
STEP 60 - GAZEBO ASSEMBLY

QTY	PART NUMBER	DESCRIPTION
24	H101165	CONCRETE ANCHOR 3/8x3" BLK

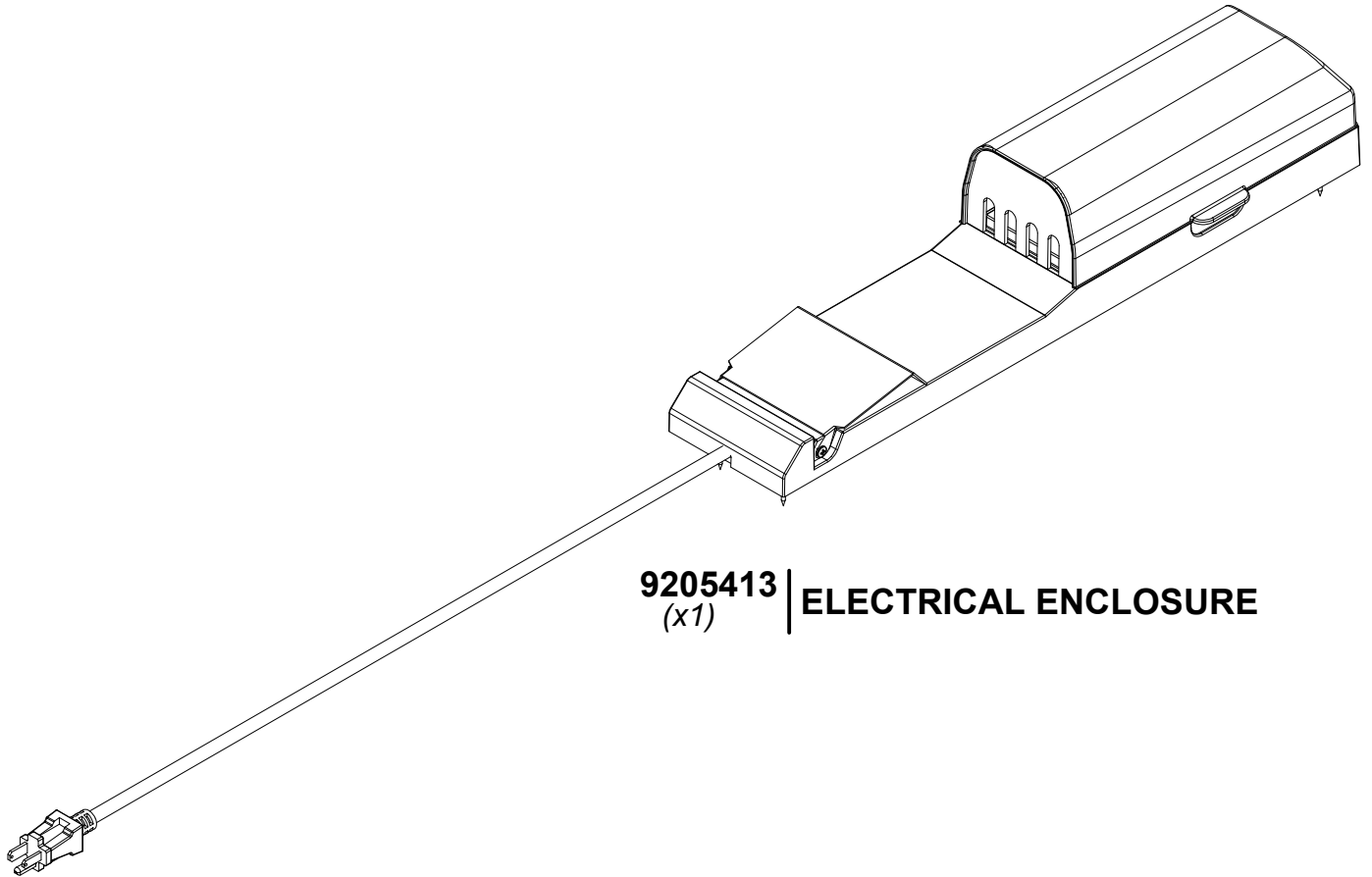
- MANUFACTURER RECOMMENDS INSTALLATION ON CONCRETE SURFACES OR CONCRETE POST PAD AS SHOWN BELOW.
- FOR INSTALLATION ON WOOD DECK, YOU MUST ENSURE THERE IS AMPLE STRUCTURAL SUPPORT UNDER THE DECK.
- HARDWARE NOT INCLUDED FOR DECK ATTACHMENT.



1165 (x24)
CONCRETE ANCHOR-3"



**PRE-DRILL HOLES FOR
CONCRETE ANCHORS USING
A 5/16" [8mm] CONCRETE
DRILL BIT**



9205413 | **ELECTRICAL ENCLOSURE**
(x1)

FOR POWERPORT INSTALLATION REFER TO ASSEMBLY INSTRUCTIONS THAT COME PACKAGED WITH THE POWERPORT KIT. INSTALL ON ANY POST THAT IS DESIRED. FOLLOW DIRECTIONS FOR PROPER INSTALLATION.