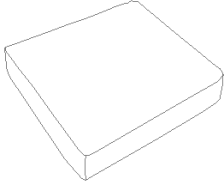
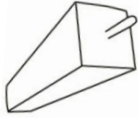
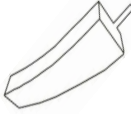



# Assembly Instruction

## ITEM NO.1297NV/BU/GY ACCENT CHAIR

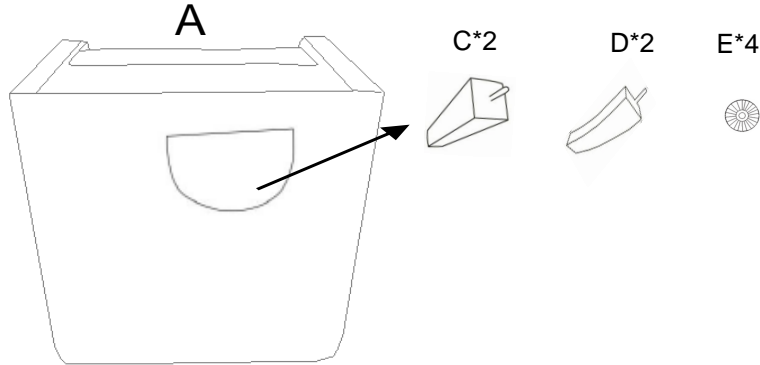
**NOTE: Do not use power tools for assembly. Power tools increase the risk of over tightening which lead to splitting or cracking the wood.**

### COMPONENT LIST

NO.	DRAWING	QTY	DESC
A		1	CHAIR
B		1	SEAT CUSHION
C		2	WOODEN STRAIGHT FRONT LEG
D		2	WOODEN CURVED REAR LEG
E		4	GASKET

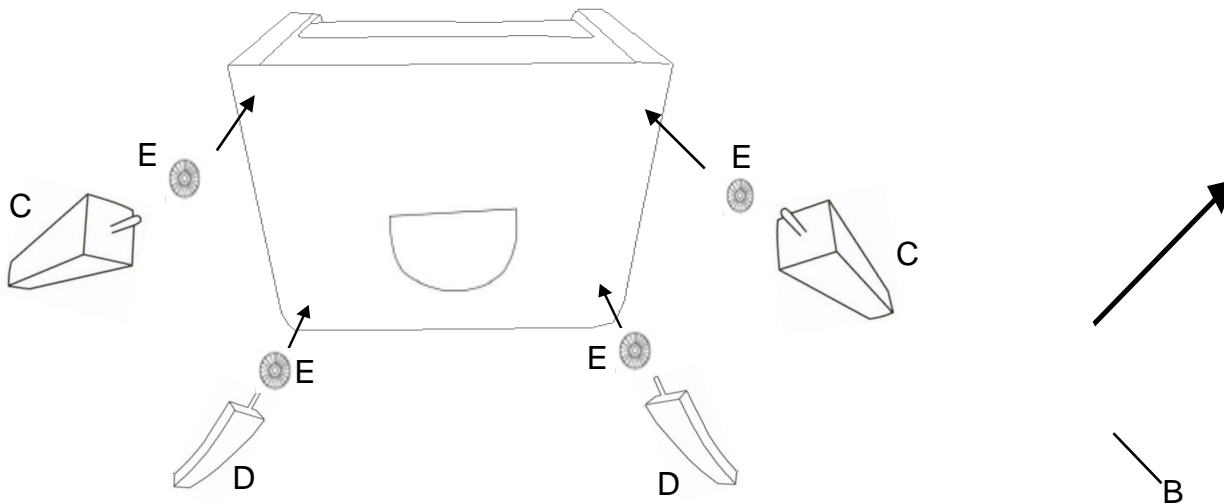
**Please follow the drawings below to assemble the chair.**

**Step 1.** Legs are stored in the non-woven bag at the bottom of the chair, please take out for assembly



**Step 2.** Insert the washer onto the top of legs, rotate the legs to tighten it. Rear leg curves must face outward

**Step 3. Completed**



**CARE INSTRUCTION FOR 100% POLYESTER FURNITURE:**

In order to maintain the original appearance of your 100% polyester furniture, please follow below care procedures:

- Avoid exposing furniture directly to sunlight or heating and air conditioning outlets. Exposure to sunlight or heating and air conditioning outlets will fade/damage 100% polyester.
- Wipe gently with a damp soft cloth to remove dust, dirt and any grime buildup.
- Wipe the 100% polyester with professional cleanser. For items use on wooden floor, hard surfaces or carpets, it is recommended to Install protective pads under all legs and supports to avoid/prevent from damages/scratches and discoloration.

