

Mechanical Accessories

For MUH, HUHA, Dayton 3UF75 - 3UF98 and 2YU58 - 2YU81,
3END3 and 3END4 Series Unit Heaters

INSTALLATION OF VERTICAL SECTION (Common Part for Radial and Anemostat Diffusers) RDM, RDS, RDL, ADM, ADS, ADL, 2E592 and 2YU34

1. Remove louvers from front of heater by gripping louver close to spring and compressing spring until other end of the louver is free.
2. For Dayton Unit Heaters - Remove bird screen from venturi opening.
3. Position vertical section over venturi outlet and rotate vertical section until holes in mounting brackets align with matching hole in front of heater.
4. Secure vertical section with four No. 6-32 x 3/8" (9.5mm) mounting screws (supplied) as shown in Figure 1.

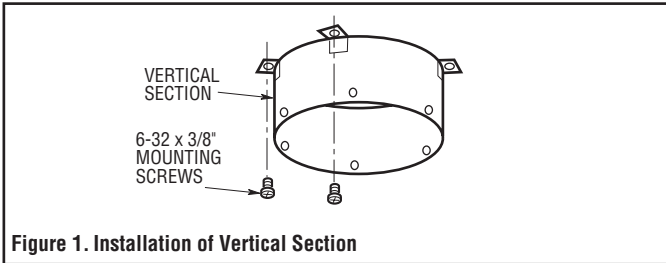


Figure 1. Installation of Vertical Section

INSTALLATION OF RADIAL DIFFUSER RDM, RDS, RDL, 2E592 and 2YU34

1. Mount vertical section (supplied as part of radial diffuser). (Refer to INSTALLATION OF VERTICAL SECTION above.)
2. Loosen all six screws in radial diffuser hub until blades move freely (See Figure 2, View A).
3. Rotate the radial diffuser hub clockwise until the radial diffuser can be inserted into the vertical section.
4. Insert blade rods into matching holes in vertical section while rotating the radial diffuser hub counter-clockwise. (See Figure 2, View B).
5. Center all blades radially and tighten screws enough to allow each blade to rotate yet maintain a set position.
6. Rotate each blade to desired position and tighten screws to secure blades.

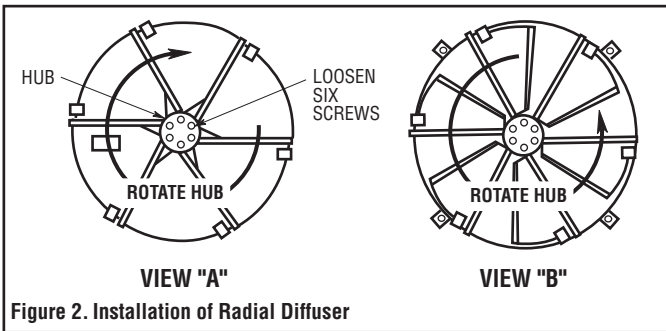


Figure 2. Installation of Radial Diffuser

INSTALLATION OF LOUVERED DIFFUSER ON MUH HEATERS LDS, LDM and LDL

1. Louvers may be left in place or removed from the heater. (Refer to Step 1, INSTALLATION OF VERTICAL SECTION).
 2. Insert mounting springs into four 3/16" (4.8mm) holes in inside flange of front cover.
 3. Place louvered diffuser against front of unit.
- NOTE: Position locating tabs toward the top and sides of heater flange.**
4. Secure louvered diffuser to heater by using long-nosed pliers to hook free ends of springs into four 3/16" (4.8mm) holes in inside flange of louvered diffuser.

INSTALLATION OF LOUVERED DIFFUSER ON HUHA & DAYTON HEATERS LDS, LDM and LDL

1. Louvers may be left in place or removed from the heater. (Refer to Step 1, INSTALLATION OF VERTICAL SECTION).
 2. Place louvered diffuser against front of unit.
- NOTE: Position locating tabs toward the top and sides of heater flange.**
3. Secure louvered diffuser to heater with three (3) screws (provided) through the mounting tabs.

INSTALLATION OF ANEMOSTAT DIFFUSER ADM, ADS, AND ADL

1. Mount vertical section (supplied as part of anemostat diffuser). (Refer to INSTALLATION OF VERTICAL SECTION.)
2. For small (-S) and large (-L) diffusers, slide anemostat over vertical section and secure with three No. 10-32 x 3/8" (9.5mm) bolts and nuts. (See Figure 3, View A).
3. For medium (-M) diffuser, slide anemostat into vertical section and secure with three No. 10-32 x 3/4" (19mm) bolts, nuts and spacers. (See Figure 2, View B).

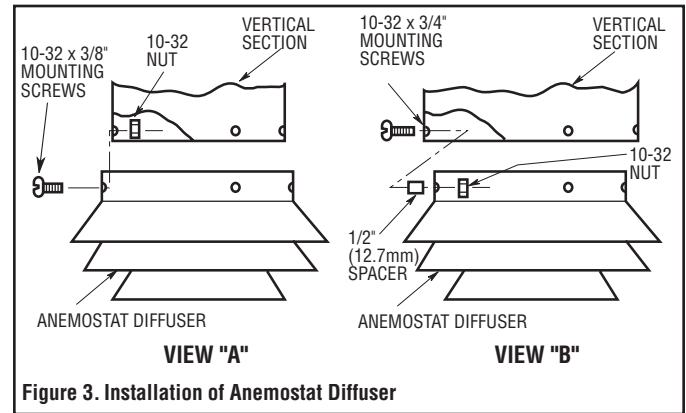


Figure 3. Installation of Anemostat Diffuser

INSTALLATION OF MOUNTING BRACKETS B10, B20, B30, B50, 6X966, 6X967, 3UG64, 3UG65, 2YV16, 2YV17, 2YU91 and 2YU92

WARNING

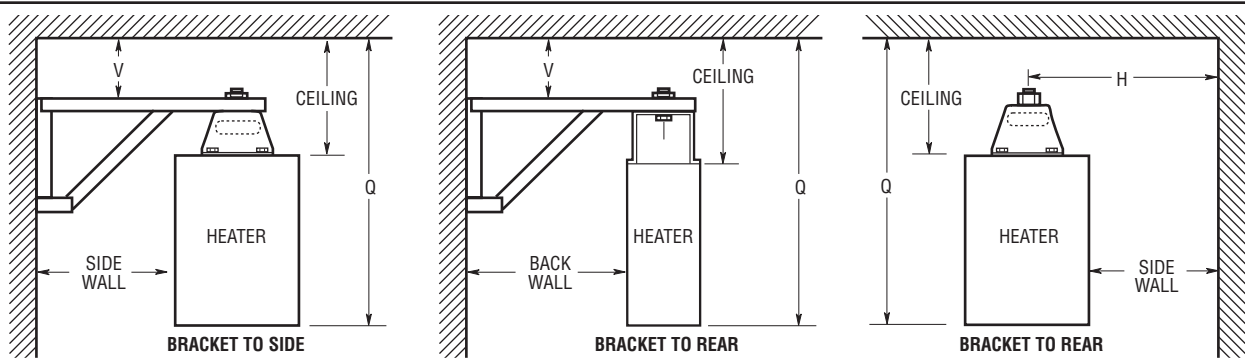
THE BUILDING STRUCTURE AND THE ANCHORING PROVISIONS MUST BE SUFFICIENT TO SUPPORT THE COMBINED WEIGHT OF THE HEATER AND MOUNTING BRACKET.

1. Locate the position of the heater wall mounting bracket. Refer to Figure 4 for minimum mounting clearances. Refer to Figure 5 for mounting bracket dimensions.

WARNING

MOUNTING BRACKET MUST BE INSTALLED WITH OPENING IN BRACKET TOWARD REAR OF HEATER.

2. The hole locations for the mounting bracket can be determined by holding the bracket in position and marking through the holes. Mounting bracket dimensions with hole locations are also given in Figure 5.
3. A minimum screw size of 3/8-inch (9.5mm) diameter should be used to mount the bracket to the wall or ceiling. A heavy washer should be used between the bolt head and the bracket. USE THE TYPE OF SCREW THAT IS BEST SUITED TO THE BUILDING STRUCTURE.
4. Remove four bolts and washers from top of heater and secure unit mounting bracket to top of heater using the four bolts and washers. (See Figure 6).
5. Bolt the unit mounting bracket to the wall mounting bracket using one 1/2-13 pivot bolt, two flat washers, one split lockwasher, and one 1/2-13 nut. (See Figure 7).



Minimum Mounting Clearances For Horizontal Discharge

Heaters	Ceiling	Side Wall	Back Wall	H (Min.)	V (Min.)	Q
3 KW - 5 KW	2" (51mm)	6" (152mm)	9" (229mm)	13" (330mm)	"0"	18 ³ / ₁₆ " (462mm)
7.5 KW - 10 KW	6" (152mm)	6" (152mm)	13" (330mm)	15 ¹ / ₂ " (394mm)	2" (50mm)	27 ⁷ / ₈ " (708mm)
15 KW - 20 KW	6" (152mm)	9" (229mm)	12 ¹ / ₂ " (318mm)	18 ¹ / ₂ " (470mm)	2" (50mm)	27 ⁷ / ₈ " (708mm)
25 KW - 50 KW	16" (406mm)	12" (305mm)	18 ¹ / ₂ " (470mm)	25 ¹ / ₂ " (648mm)	10 ⁵ / ₈ " (270mm)	46 ³ / ₁₆ " (1173mm)

Figure 4. Mounting Bracket Clearances

Model No.	Used on
B10, 6X966, 2YV16	3 - 10 KW
B20, 6X967, 2YV17	15 - 20 KW
B30, 3UG64, 2YU91	25 - 30 KW
B50, 3UG65, 2YU92	40 - 50 KW

Dimensions	Heater Size	
	3-20 KW	25-50KW
A	7 ¹ / ₄ " (184mm)	9 ⁷ / ₁₆ " (240mm)
B	9 ¹ / ₂ " (241mm)	14 ⁹ / ₈ " (365mm)
C	7 ¹ / ₄ " (184mm)	12 ¹ / ₈ " (308mm)
D	1 ¹⁵ / ₁₆ " (49mm)	2 ¹ / ₁₆ " (52mm)
E	2 ¹ / ₄ " (57mm)	3" (76mm)
L	20 ¹ / ₂ " (521mm)	28 ⁵ / ₁₆ " (719mm)
M	9 ¹⁵ / ₁₆ " (253mm)	14 ¹⁵ / ₁₆ " (380mm)

Figure 5. Mounting Bracket Hole Dimensions

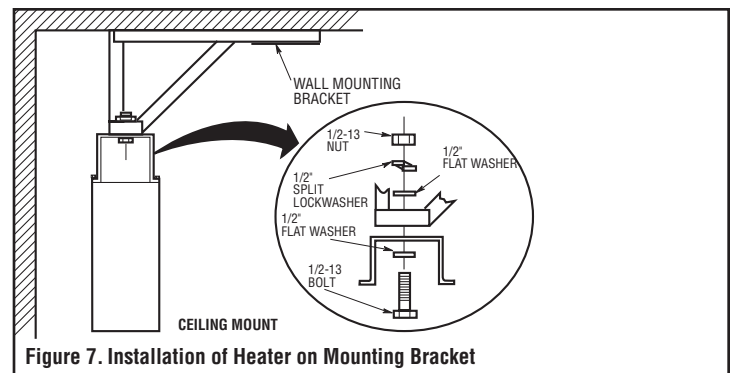


Figure 7. Installation of Heater on Mounting Bracket

**INSTALLATION OF MOUNTING BRACKETS
VDMB5, VDMB20, VDMB50, 3UG05, 3UG06, 3UG08,
2YU83, 2YU84 and 2YU85**

WARNING

THE BUILDING STRUCTURE AND THE ANCHORING PROVISIONS MUST BE SUFFICIENT TO SUPPORT THE COMBINED WEIGHT OF THE HEATER AND MOUNTING BRACKET.

1. Locate the position of the vertical discharge mounting bracket. Refer to Figure 4 for minimum mounting clearances. Refer to Figure 8 for bracket dimensions.
2. A minimum screw size 3/8" diameter should be used to mount two of the brackets to the ceiling. A heavy washer should be used between the bolt head and the bracket. **Use the type of screw that is best suited to the building structure.**
3. Remove four bolts and washers from the back of the heater and secure the other two brackets to the back of the heater using the four bolts and washers.
4. Bolt the unit mounted brackets to the ceiling mounted brackets using the 3/8" bolts, split lockwashers and nuts provided. See Figure 8.

Catalog No.	Used on
CMB-10	3 - 10 KW
CMB-20	15 - 20 KW
CMB-30	25 - 30 KW
CMB-50	40 - 50 KW

Figure 6. Installation of Unit Mounting Bracket

INSTALLATION OF CMB MOUNTING BRACKETS

1. Mount bracket per step 4 of Installation of Mounting Brackets, page 1.
2. Hang heater from ceiling using center hole in unit mounting bracket, maintaining clearances shown in Figure 4.

Model No.	KW	A	B
VDMB5, 3UG05, 2YU83	3 - 5 KW	6" (152mm)	6 ¹ / ₈ " (156mm)
VDMB20, 3UG06, 2YU84	7.5 - 20 KW	8 ⁷ / ₈ " (225mm)	6 ¹ / ₈ " (156mm)
VDMB50, 3UG08, 2YU85	25 - 50 KW	12 ¹ / ₂ " (318 mm)	12 ¹ / ₈ " (308mm)

Figure 8. Installation of Heater on Mounting Bracket