



LIGHTHAWK® PASSIVE INFRARED WALL SWITCH SENSOR

WALL SWITCH OCCUPANCY SENSORS

FEATURES

- Digital passive infrared (PIR) sensor
- IntelliDAPT® self-adaptive technology; no manual adjustment required
- Single and dual relay models for ON/OFF switching
- Occupancy (auto-on) and Vacancy (manual-ON) operating modes
- 1,000 square-foot, 180° coverage area
- RhinoTuff™ vandal resistant lens
- 120/277VAC, 347VAC and 24VDC models



RELATED PRODUCTS

- ∅ [LightHAWK Dimming PIR](#)
- ∅ [LightHAWK Dual Tech](#)
- ∅ [Dimming Dual Tech](#)
- ∅ [LightHAWK Ultrasonic](#)
- ∅ [LightHAWK Night Light](#)
- ∅ [Universal Voltage Power Packs](#)



SPECIFICATIONS

CONSTRUCTION

- Casing - high - Impact injection - molded plastic (UL-94-5V Impact-resistance lens)
- Color-coded leads are 6" (152.4mm) long
- Wrap around galvanized steel mounting strap
- 2.9 oz. (82.21g)
- White; Ivory; Light Almond; Gray; Black
- Dual-element pyrometer and 12-element cylindrical RhinoTuff lens

MOUNTING

- Single-gang NEMA-style switch box (standard switch box)
- Decorator-style wall plate sold separately

ELECTRICAL

- Natural light override range: 10-500 foot-candles
- 120/277VAC; 50/60Hz
- 347VAC; 50/60Hz
- 24VDC (requires power pack-sold separately)
- 120VAC: 800W Incandescent/ Electronic Ballast/ LED Driver; 1,000W Magentic Ballast; 1/8 HP Motor
- 277VAC: 1,800W Magnetic Ballast/ Electronic Ballast/ LED Driver; 1/8 HP Motor

ELECTRICAL (CONTINUED)

- 347VAC: 1,500W Magnetic Ballast/ Electronic Ballast/ LED Driver; 1/8 HP Motor

OPERATIONS

- IntelliDAPT
- Self-adjusting timer
- Self-adjusting passive infrared (PIR) sensitivity
- Automatic false-ON/ false-OFF corrections
- No manual adjustments required
- Coverage
 - 1,000 square-foot, 180° coverage area
- Timer Settings
 - Auto mode: 4-30 minutes; self-adjusts based on occupancy
 - Fixed mode: 4, 8, 15, and 30 minutes
- Timer Settings (Continued)
 - Test mode: 5 seconds

OPERATING ENVIRONMENT

- Indoor use only
- Operating temperature: 32° to 104°F (0° to 40°C)
- Relative humidity (non-condensing): 0% to 95%

CERTIFICATIONS

- Listed UL and cUL
- This product qualifies as "designated country construction material" per FAR 52.225-11 Buy American-Construction Materials under Trade Agreements effective 5/27/2020. See [Buy American Solutions](#).

WARRANTY

- 5 year warranty
- See [HCS Standard Warranty](#) for additional information



LIGHTHAWK® PASSIVE INFRARED WALL SWITCH SENSOR

WALL SWITCH OCCUPANCY SENSORS

ORDERING GUIDE

Example: LHIRS0-N-WH-M-T

CATALOG # _____

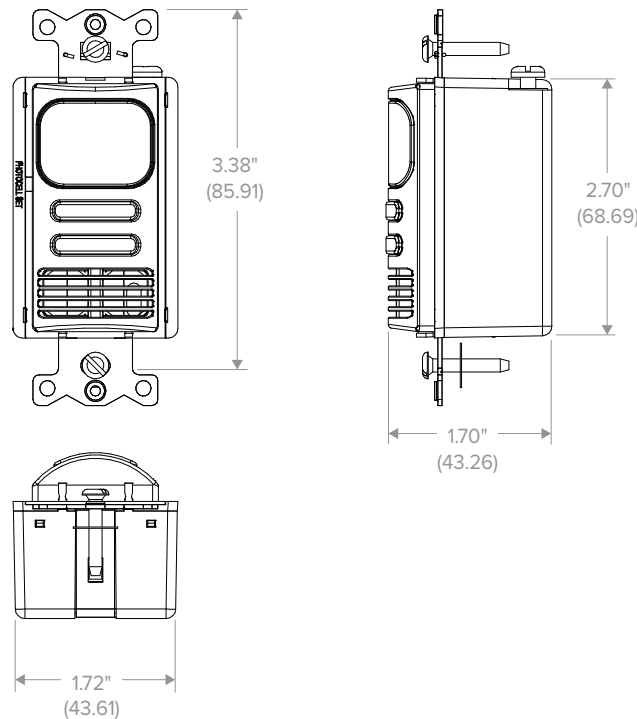
Series	Buttons	Wiring	Color	Mode	TAA
LHIRS Passive Infrared Technology, Single Relay	0 0 ¹ 1 1	G Ground (120/277V) N Neutral (120/277V)	WH White IV Ivory LA Light Almond GY Gray BK Black	Blank Switchable Vacancy or Occupancy Mode M Vacancy Mode Only	Blank Standard Product T TAA
LHDCIRD Passive Infrared Technology, Dual Relay (Two Inputs / Two Outputs)	2 2 ²	24V Low Voltage ³ G347 Ground (347V) N347 Neutral (347V)			

Notes:

- 1 No button version not available with -M option
- 2 Two button option only available with LHDC model
- 3 Low voltage sensors require a power pack that is sold separately

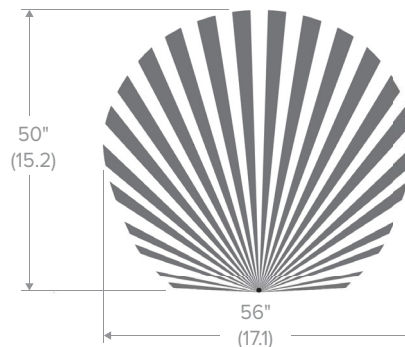
*Buy American Solutions
TAA FAR §52.225-11
LHIRS1-24V-WH
LHIRS1-G-WH
LHIRS1-N-WH

DIMENSIONS



ADDITIONAL INFORMATION

Coverage Pattern



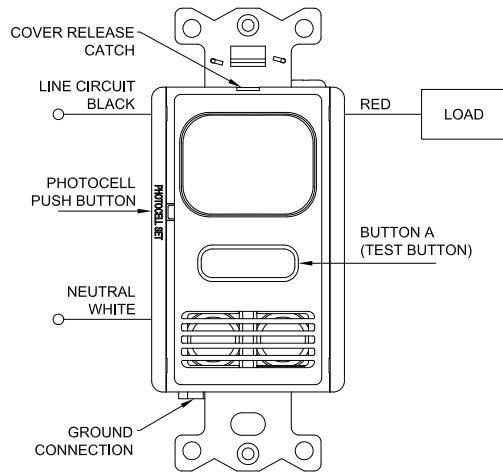


LIGHTHAWK® PASSIVE INFRARED WALL SWITCH SENSOR

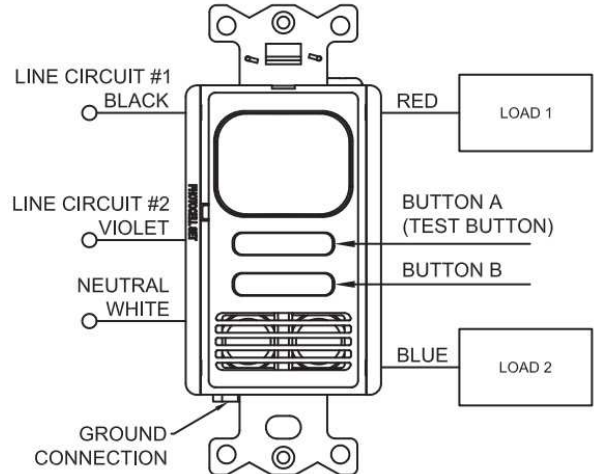
WALL SWITCH OCCUPANCY SENSORS

ADDITIONAL INFORMATION CONTINUED

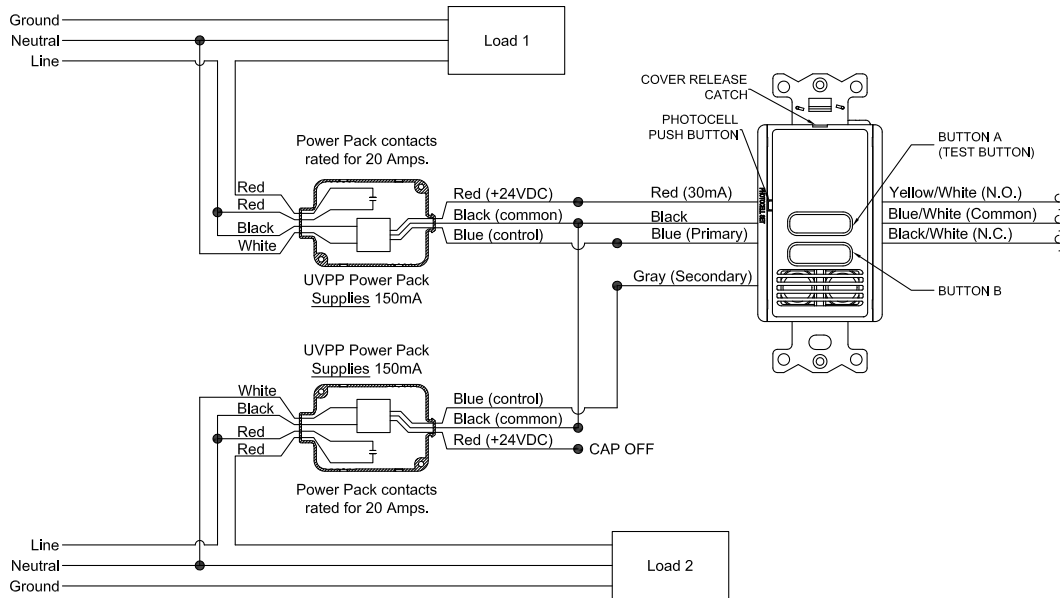
Wiring Diagrams



SINGLE LOAD WIRING



DUAL LOAD WIRING



LOW VOLTAGE DUAL LEVEL CONTROL WITH TWO POWER PACKS

All product and company names, logos and product identifiers are trademarks™ or registered trademarks® of Hubbell Lighting, Inc. or their respective owners. Use of them does not necessarily imply any affiliation with or endorsement by such respective owners.