



H O M E E L E G A N C E

ASSEMBLY INSTRUCTION

ITEM NO.:9569NFGY/NFTP-VT

(1/2)Reversible 2-Seater with Pull-out Bed

ITEM NO.:9569NFGY/NFTP-VC

(2/2)Reversible Chaise with Hidden Storage



Legs & hardware are stored in the RSF Chaise, please take out the legs and hardware for assembly.

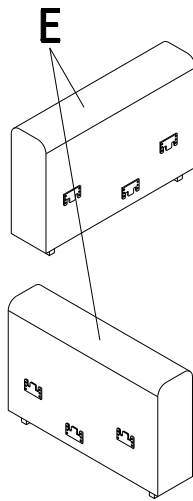
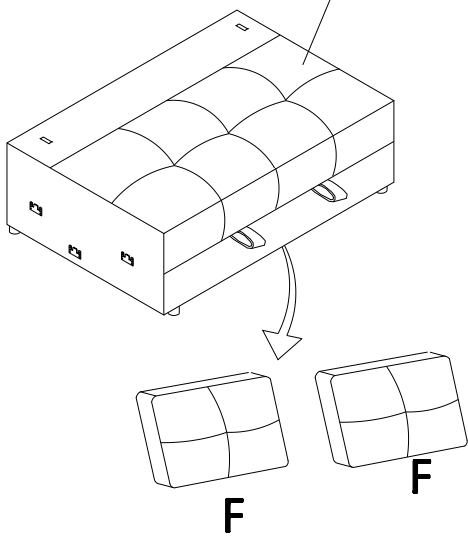
NOTE: Do not use power tools for assembly. Power tools increase the risk of over tightening which lead to splitting or cracking the wood.

COMPONENT LIST

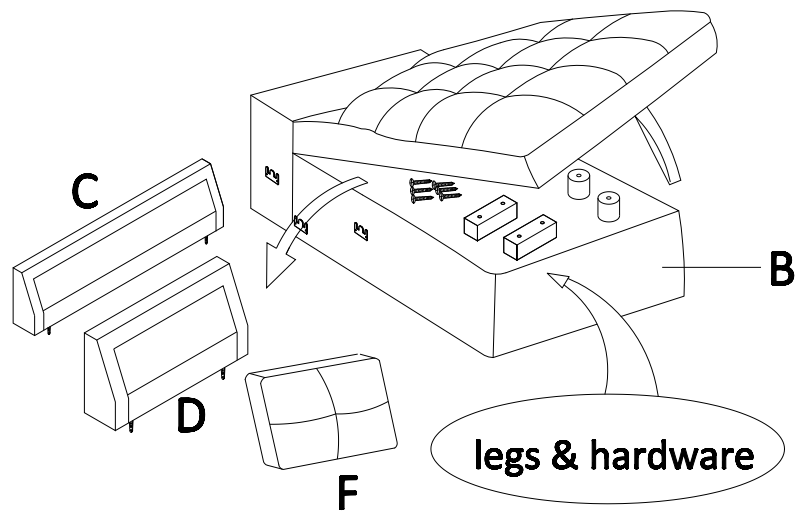
NO.	DRAWING	QTY	DESCRIPTION
A		1	VT 2-Seater Seat (Leg pre-assembled)
B		1	VC Chaise Seat
C		1	VT 2-Seater Back Rest
D		1	VC Chaise Back Rest
E		2	LSF/RSF Arm
F		3	VT/VC Back Cushion
G		2	VC Plastic Leg 5-7/8"X2"X2"
H		2	VC Plastic Leg 2-1/8"X2"
I		6	Screw 1/5"X2"

Step 1

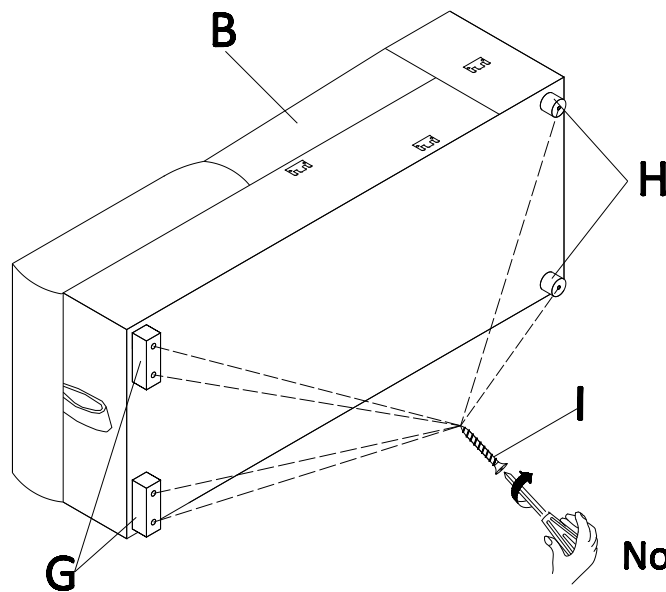
-VT



-VC



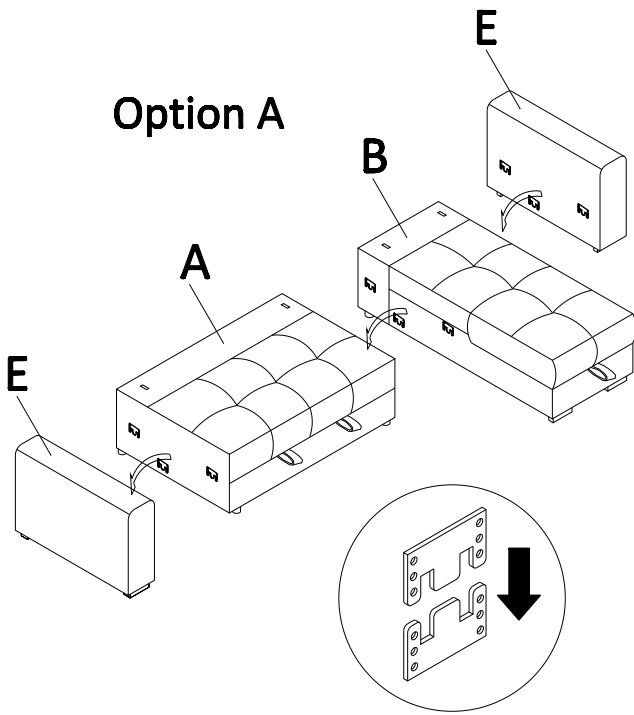
Step 2



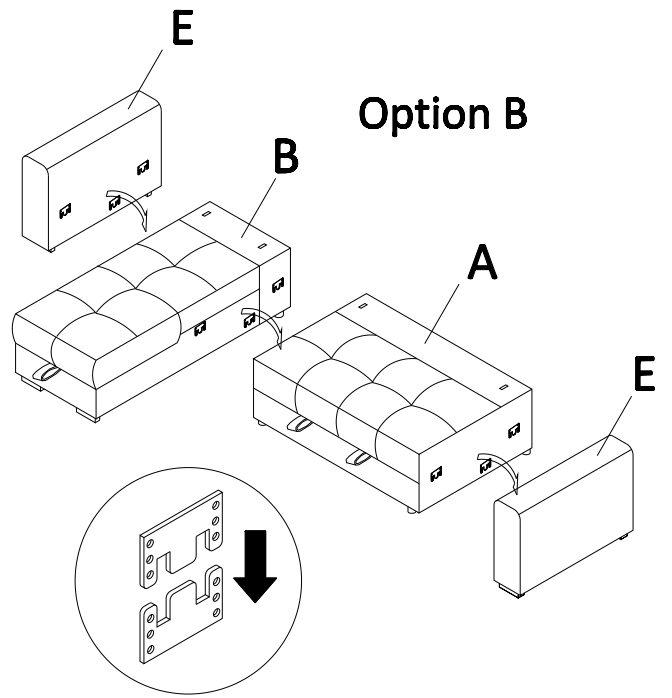
Not included

Step 3

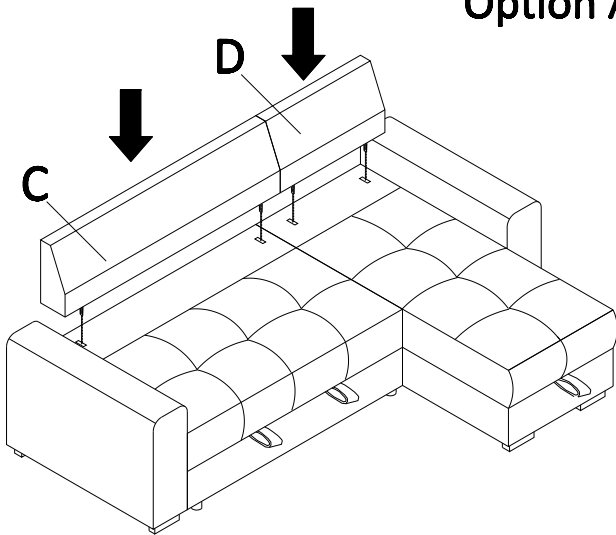
Option A



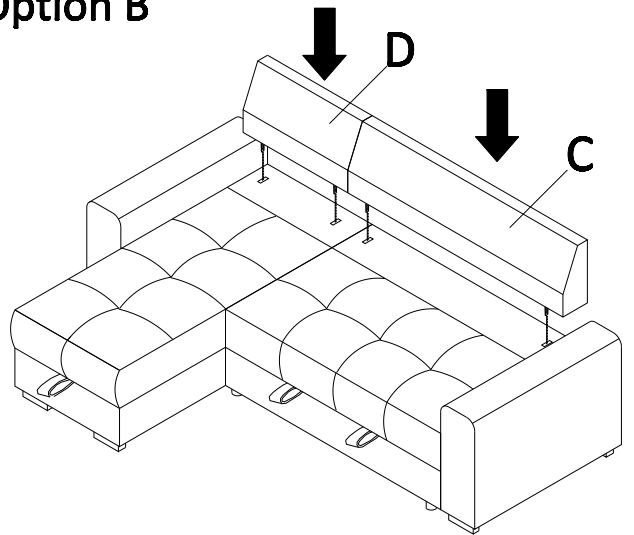
Option B

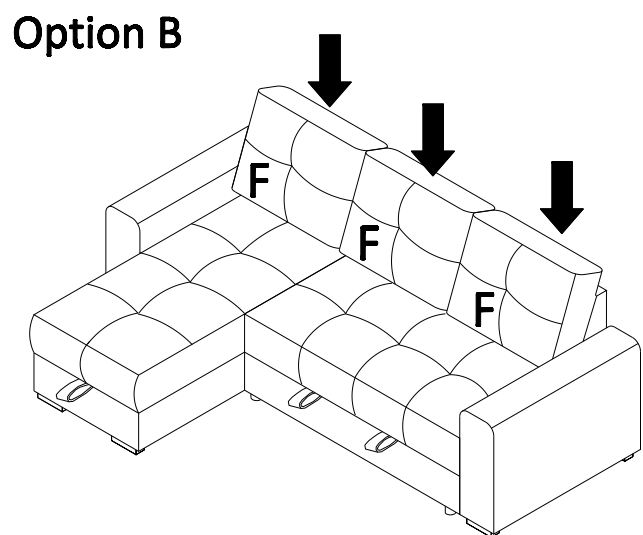
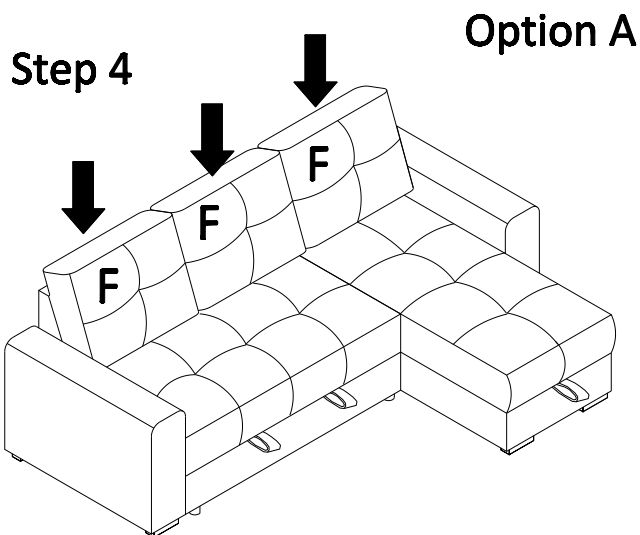


Option A



Option B





Care instruction for fabric furniture.

In order to maintain the original appearance of your fabric furniture, please follow below simple care procedures:

- Avoid exposing furniture directly to sunlight or heating and air conditioning outlets. Sunlight and or exposure to heating and air conditioning outlets will fade/damage fabric.
- Do not place your upholstered furniture too close to windows, radiators, or vents, and be sure to use windows, radiators, or vents.
- Vacuum or wipe with a cloth regularly to remove dust.



For items used on wooden floor, hard surfaces or carpets, it is recommended to install protective pads under all legs and supports to avoid/prevent from damages/scratches discoloration.