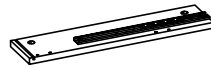
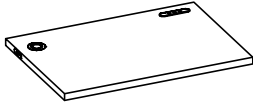


ASSEMBLY INSTRUCTION

1-DRAWER LADDER DESK WITH USB & WIRELESS CHARGER

A Desk Top **B** Desk Panel - Left **C** Desk Panel - Right **D** Desk Support Panel - Front



1pc

1pc

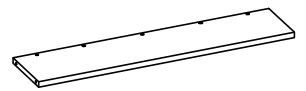
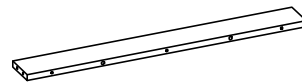
1pc

1pc

E Desk Support Panel - Back

F Desk Panel - Back **G** Back Panel - Upper

H Shelf Panel - Top



1pc

1pc

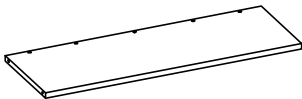
2pcs

1pc

I Shelf Panel - Middle

J Back Panel - Down **K** Drawer Panel - Front

L Drawer Panel - Left



1pc

1pc

1pc

1pc

M Drawer Panel - Right

N Drawer Panel - Back

O Drawer Panel - Bottom

P Drawer Support Panel



1pc

1pc

1pc

1pc

Q Side Frame - Upper

R Side Frame - Down

S Support Bar

T Back Support Bar



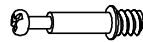
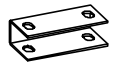
2pcs

2pcs

2pcs

2pcs

U U Iron Sheet	V Bolt	W Nut	X Wood Dowel Ø8x30mm
-----------------------	---------------	--------------	--------------------------------



4pcs

18pcs

18pcs

8pcs

Y Bolt M7x50mm	Z Bolt M6x40mm	AA Bolt M6x30mm	AB Bolt M6x15mm
--------------------------	--------------------------	---------------------------	---------------------------



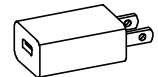
28pcs

4pcs

4pcs

14pcs

AC Nut M6x18mm	AD Screw M4x35mm	AE Power Cord	AF Plug
--------------------------	----------------------------	----------------------	----------------



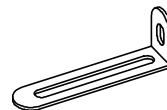
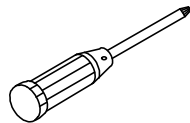
8pcs

6pcs

1pc

1pc

AG Allen Key M4	AH Screwdriver (Not Provided)	AI Mounting Plate (Anti-Tipping)	AJ Wall Anchor (Anti-Tipping)
---------------------------	-----------------------------------------	--------------------------------------------	-----------------------------------------



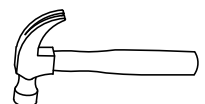
2pcs

1pc

2pcs

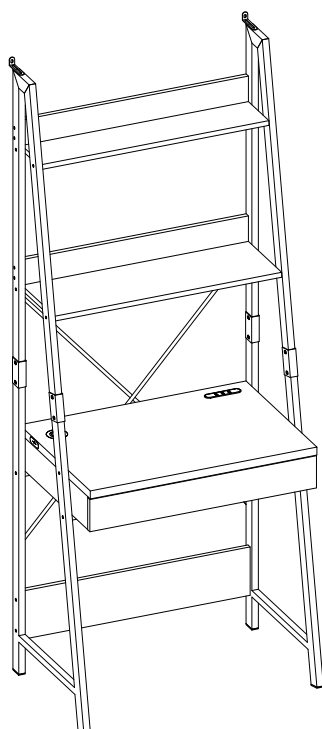
2pcs

AK Screw M4x35mm (Anti-Tipping)	AL Hammer (Not Provided)
----------------------------------------------	------------------------------------



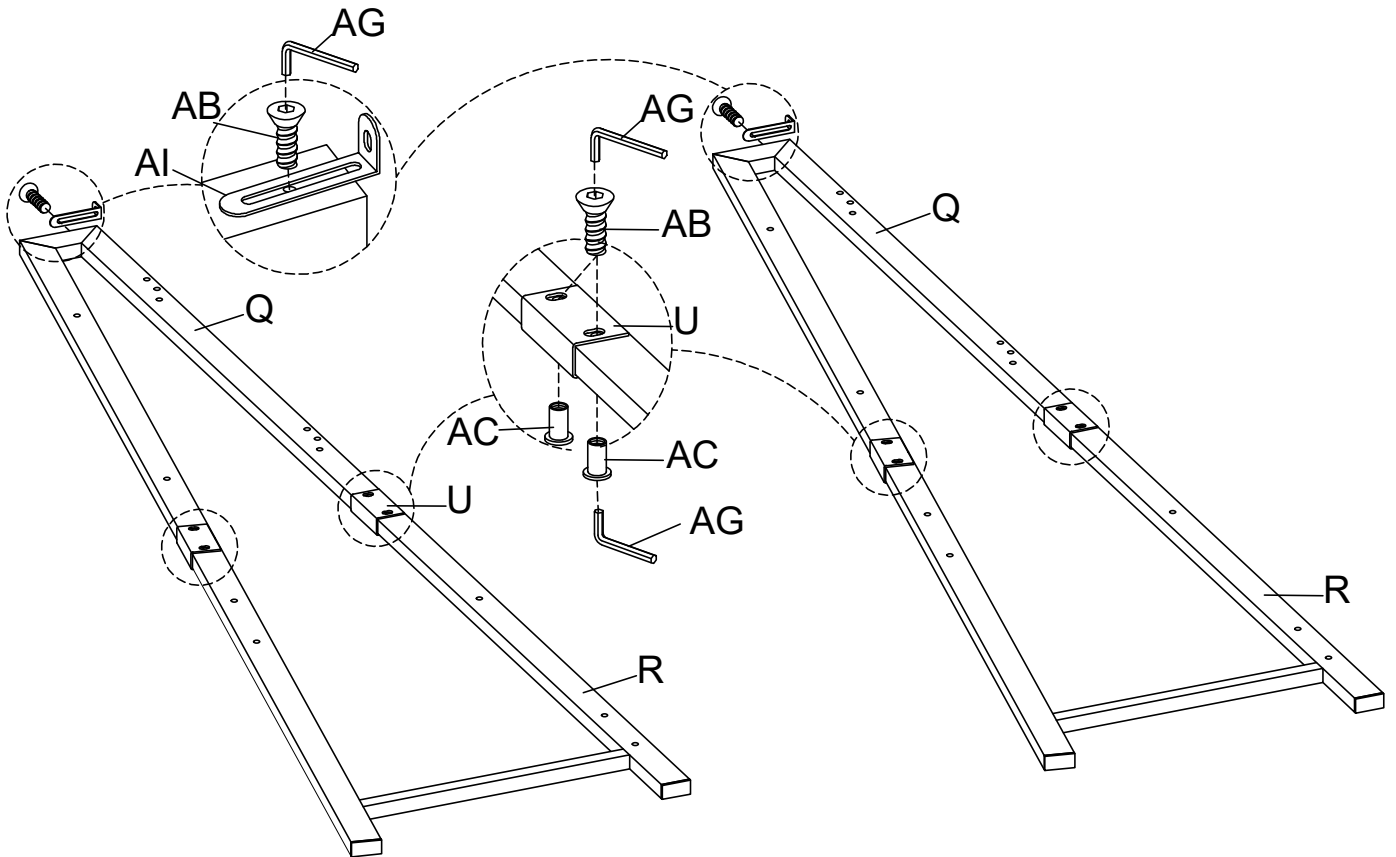
2pcs

1pc

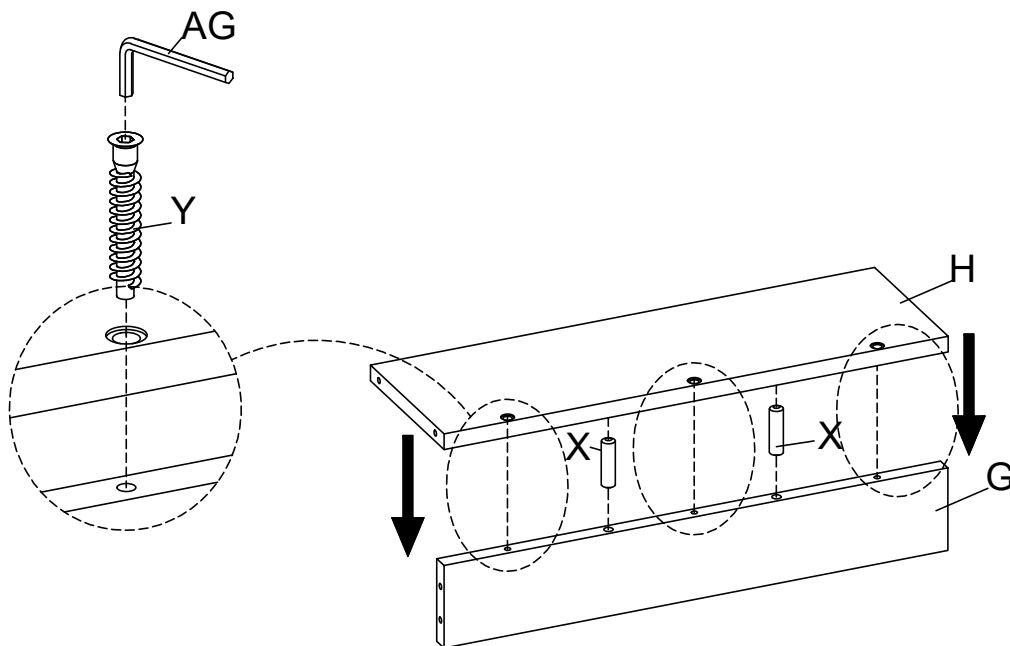


The first page and second page list all the contents included in the box. Please take the time to identify the hardware as well as the individual components to this product. As you unpack and prepare for assembly, place the contents on a carpeted or padded area to protect them from damage.

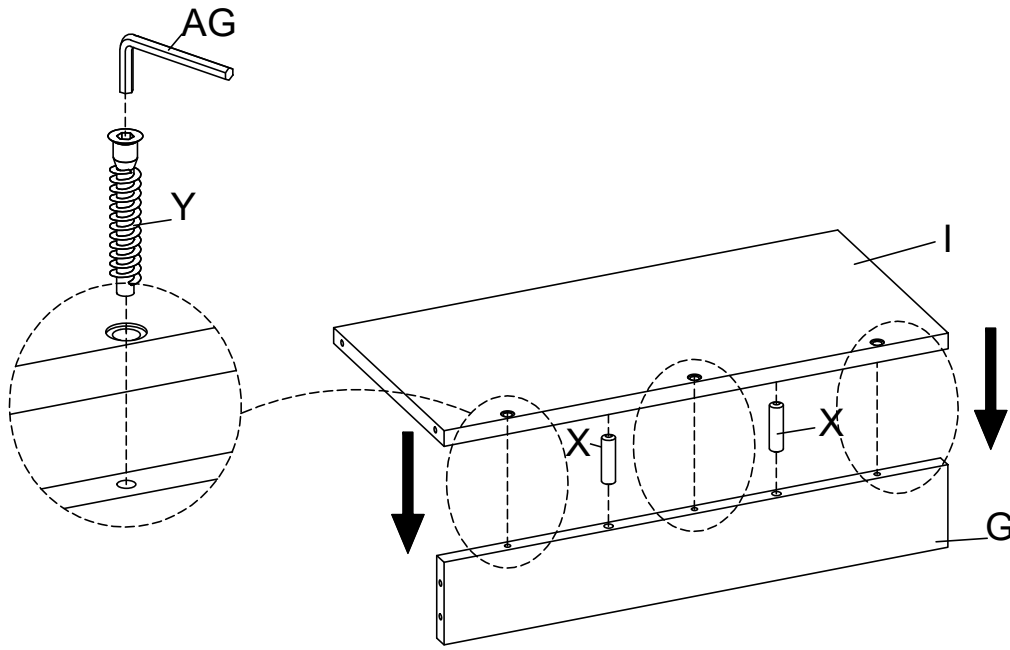
- 1** First, connect Side Frame - Upper (Q) with Side Frame - Down (R) by U Iron Sheet (U), then using Bolt (AB) & Nut (AC) to lock by Allen Key (AG) at the same time. Second, attach Mounting Plate (AI) to top of Side Frame - Upper (Q), using Bolt (AB) by Allen Key (AG) as below shown.



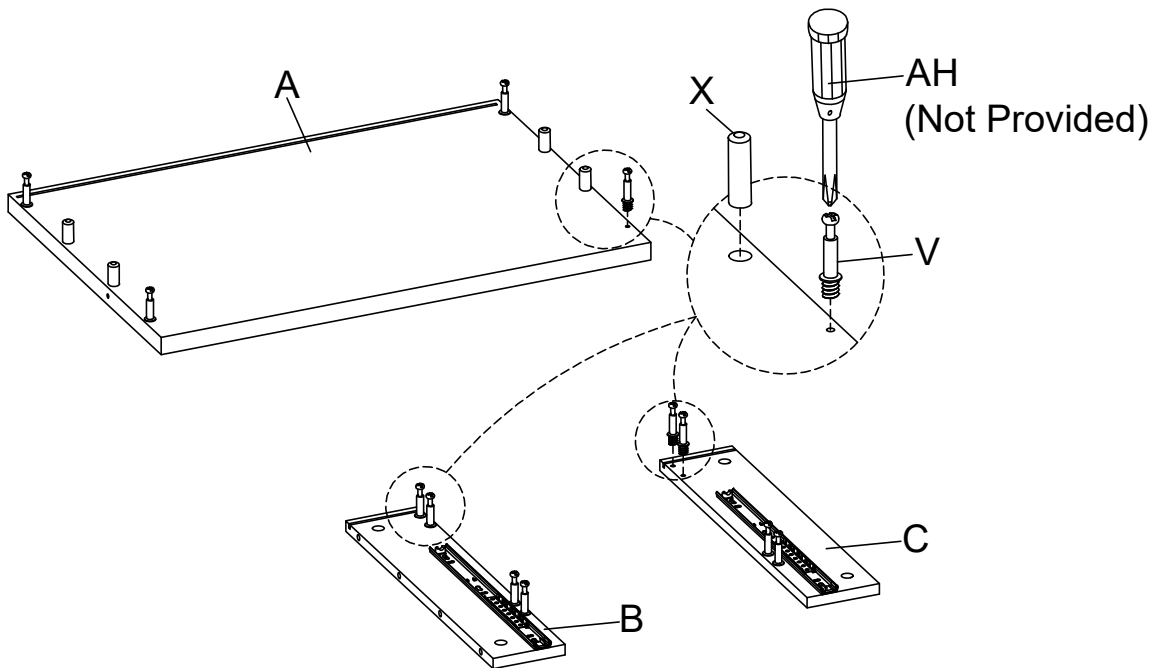
- 2** Attach Shelf Panel - Top (H) to one piece of Back Panel - Upper (G) with Wood Dowel (X), then using Bolt (Y) by Allen Key (AG) to lock as below shown.



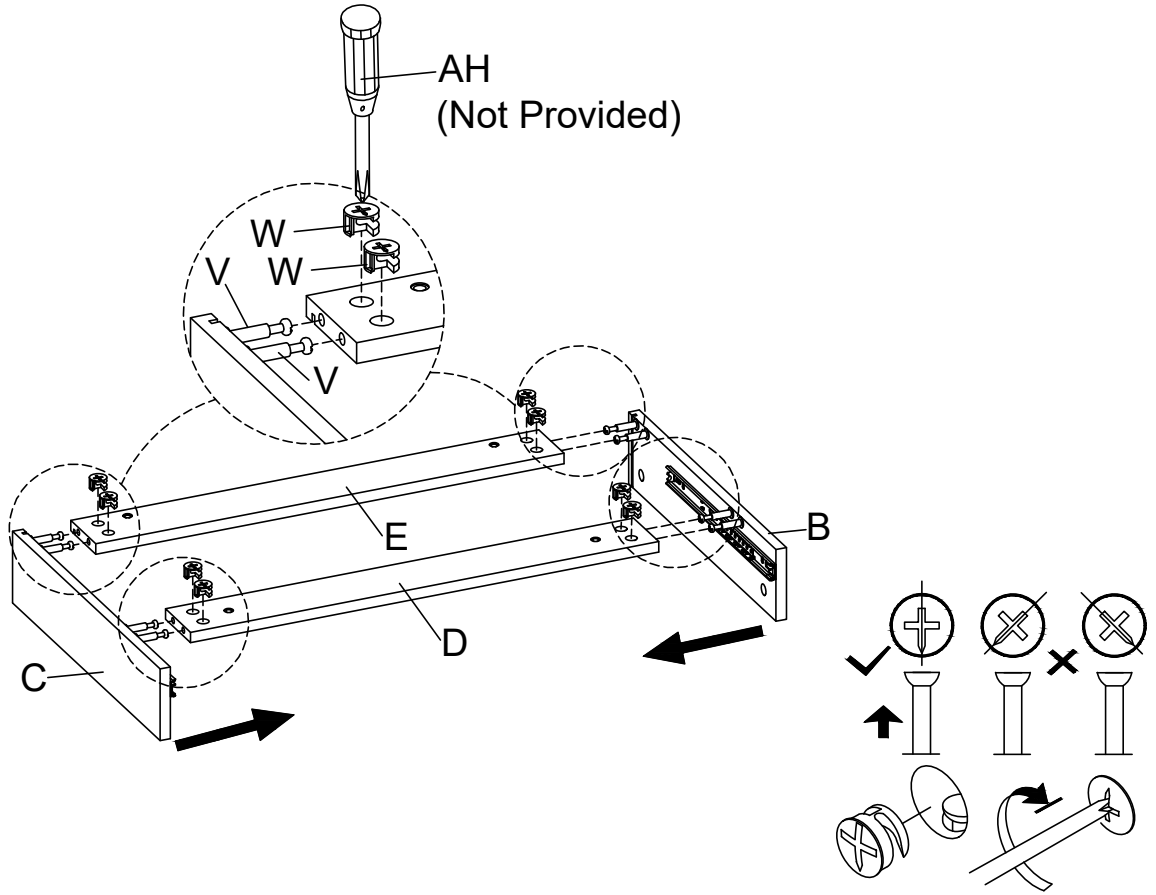
3 Attach Shelf Panel - Middle (I) to the rest piece of Back Panel - Upper (G) with Wood Dowel (X), then using Bolt (Y) by Allen Key (AG) to lock as below shown.



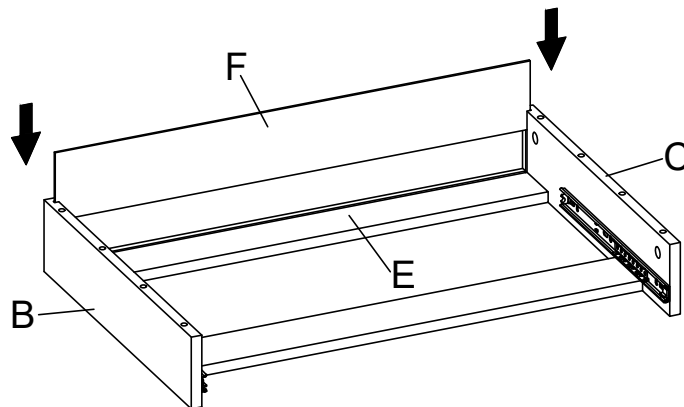
4 Assemble Bolt (V) and Wood Dowel (X) to Desk Top (A), Desk Panel - Left (B) & Desk Panel - Right (C), tighten the Bolt (V) with Screwdriver (AH) as below shown.



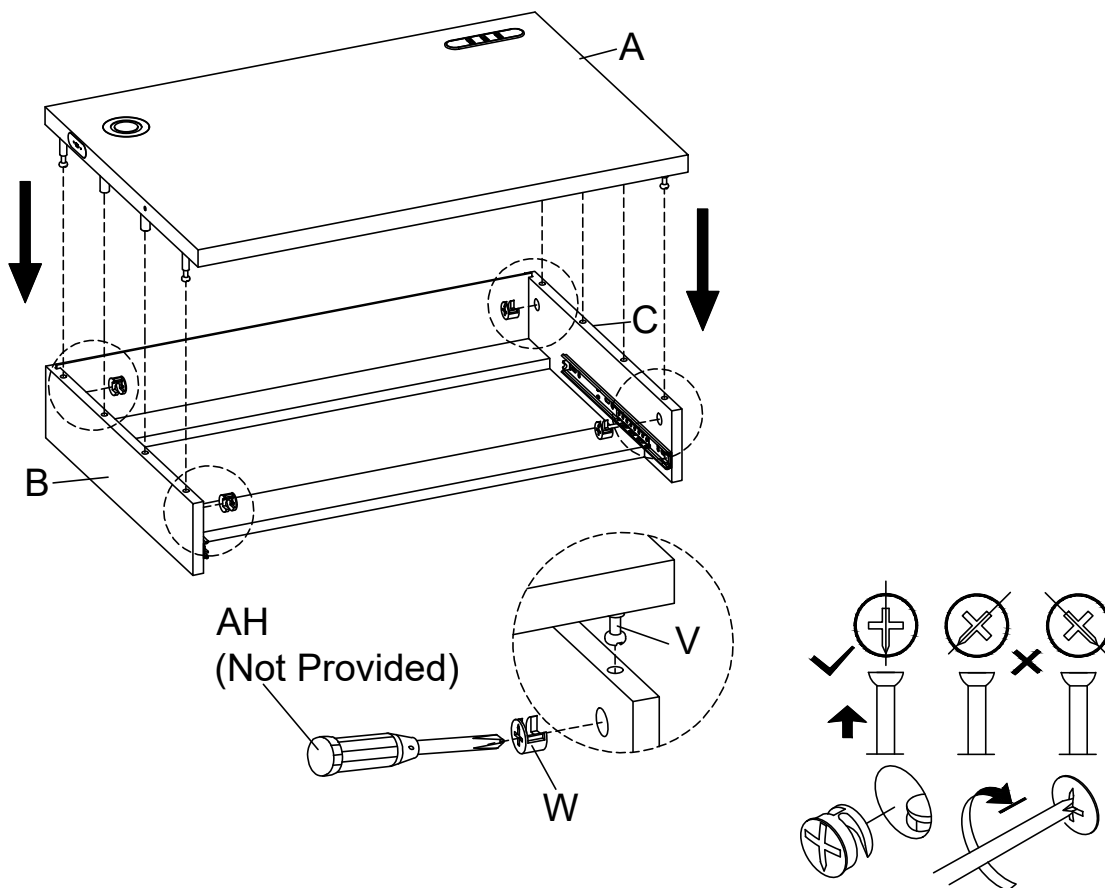
5 Attach the Desk Support Panel - Front (D) & Desk Support Panel - Back (E) to Desk Panel - Left (B) & Desk Panel - Right (C), then using Nut (W) to lock with Bolt (V) by Screwdriver (AH) as below shown.



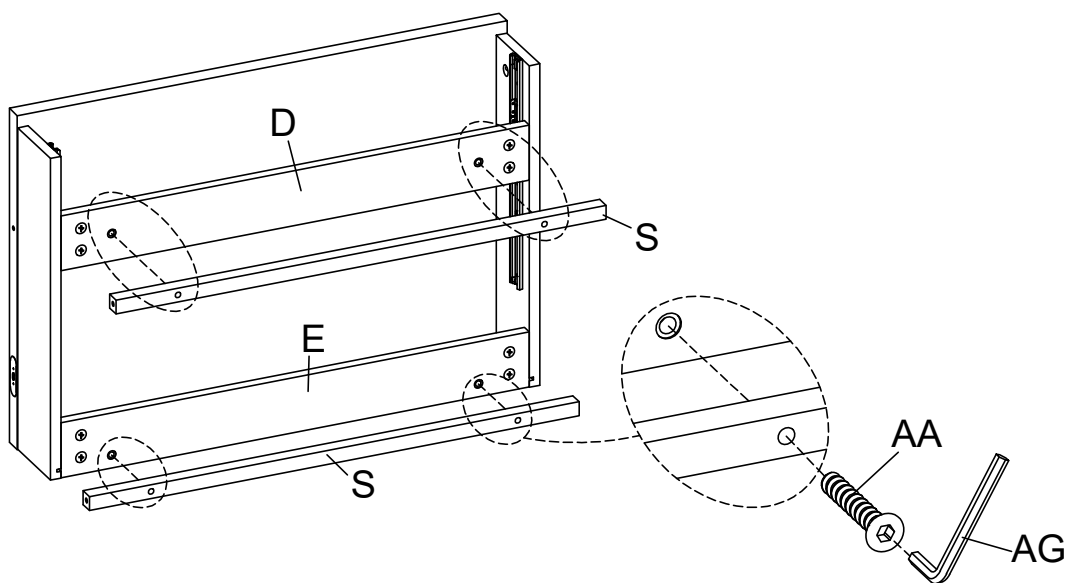
6 Insert Desk Panel - Back (F) into Desk Panel - Left (B), Desk Panel - Right (C) and Desk Support Panel - Back (E) as below shown.



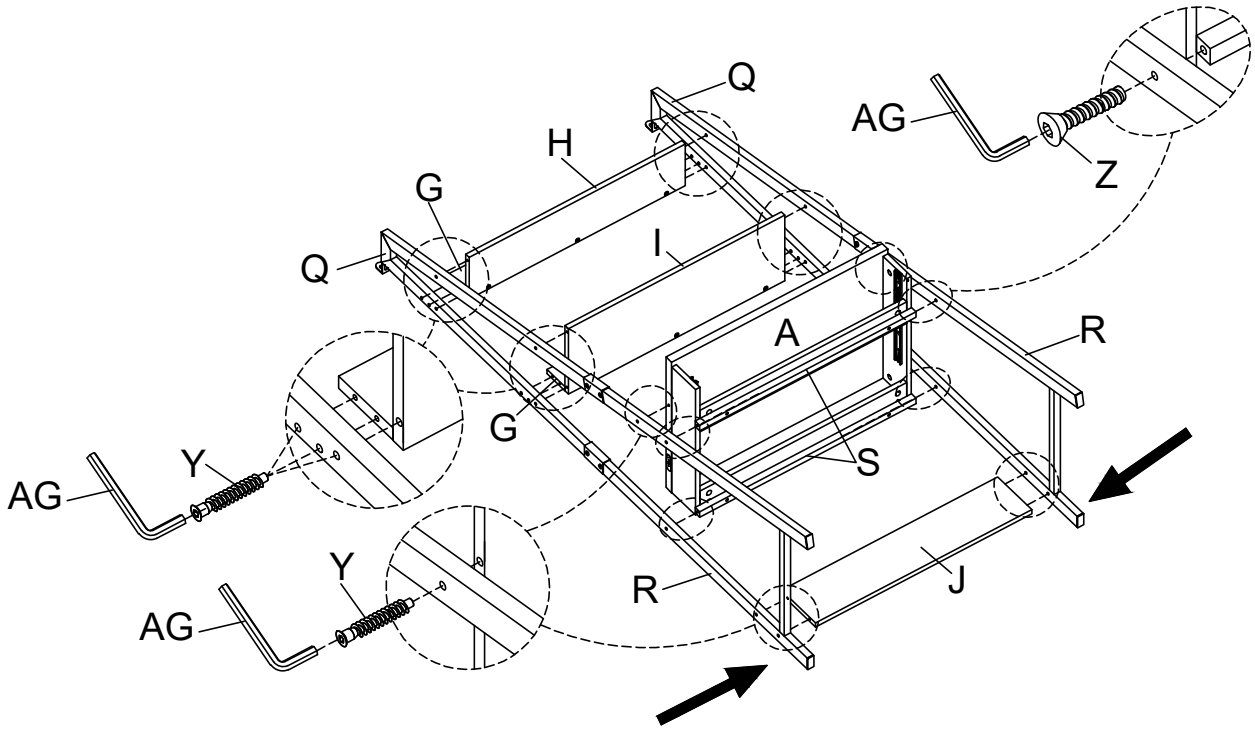
7 Assemble Desk Top (A) with pre-assembled Desk Panel - Left (B) & Desk Panel - Right (C), then using Nut (W) to lock with Bolt (V) by Screwdriver (AH) as below shown.



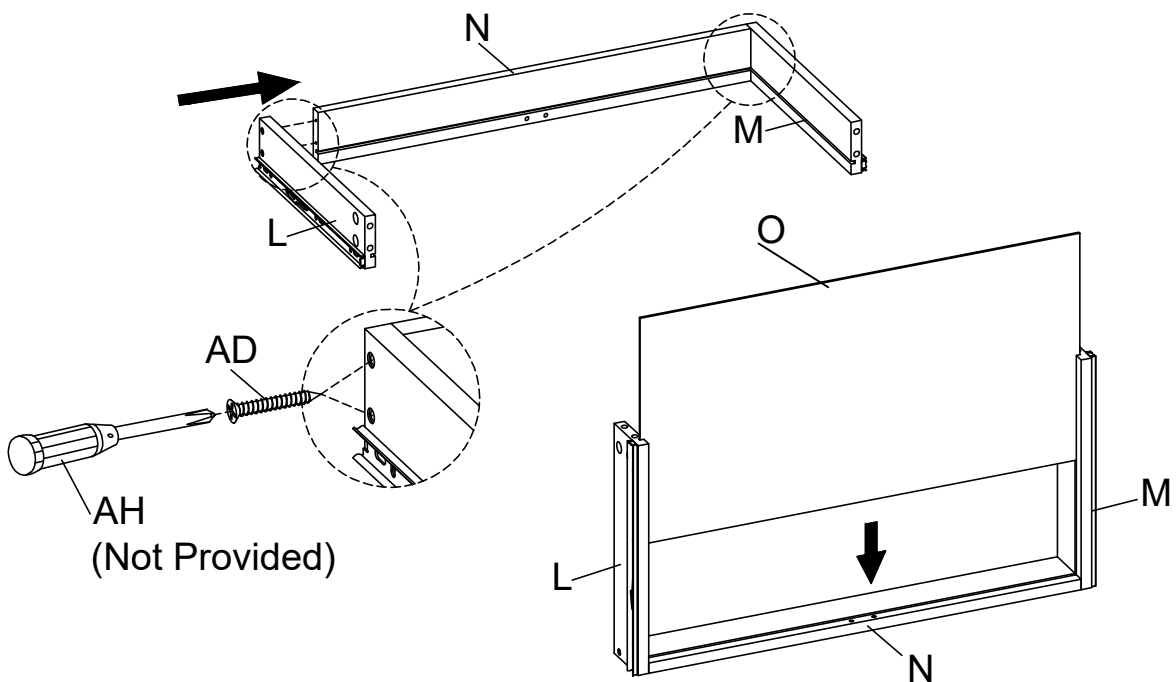
8 Attach the Support Bar (S) to Desk Support - Front (D) & Desk Support - Back (E), using Bolt (AA) by Allen Key (AG) as below shown.



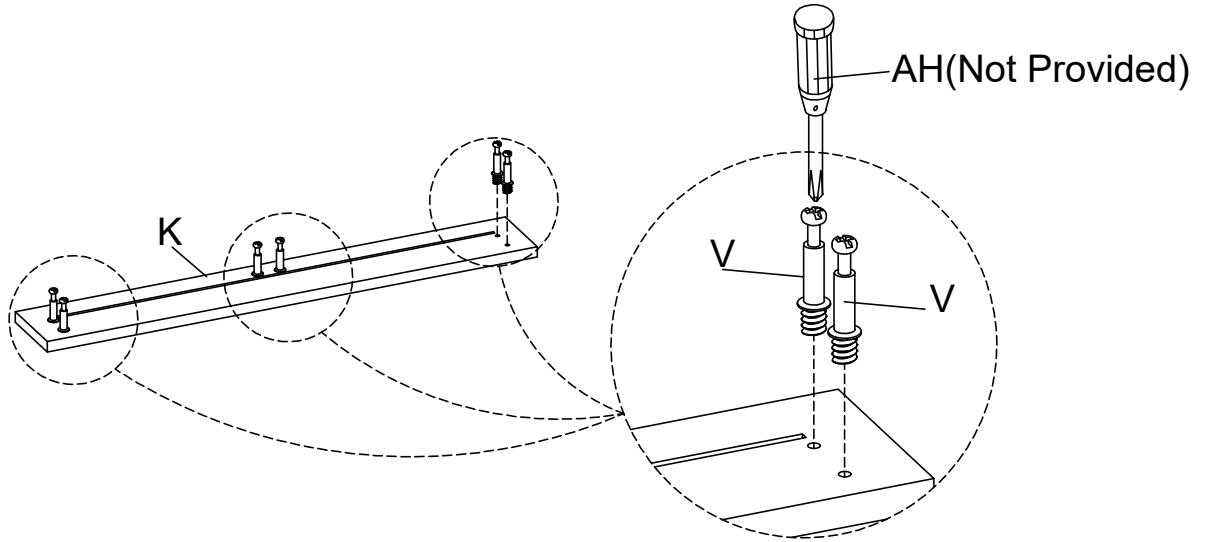
- 9** Attach all pre-assembled shelves (H/I) with Back Panel (G), pre-assembled desk and Back Panel - Down (J) to the assembled Side Frame - Upper (Q) & Side Frame - Down (R), using Bolt (Y) & Bolt (Z) by Allen Key (AG) as below picture shown. Please DO NOT tighten the Bolts completely when you are connecting. If you have connected all parts together, you can tighten all Bolts completely.



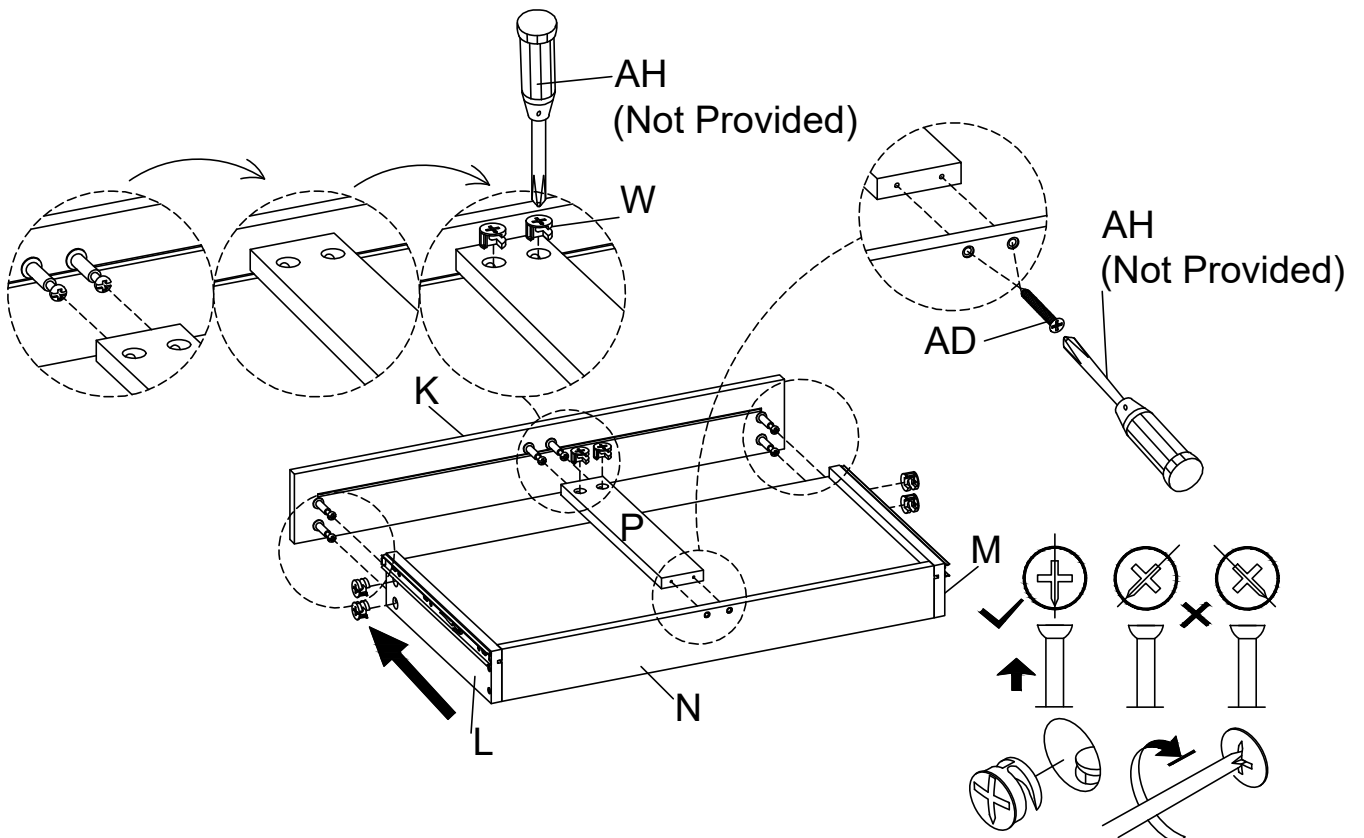
- 10** First, attach Drawer Panel - Left (L) & Drawer Panel - Right (M) to Drawer Panel - Back (N), using Screw (AD) by Screwdriver (AH). Second, Insert Drawer Panel - Bottom (O) to Drawer Panel - Back (N) through Drawer Panel - Left (L) & Drawer Panel - Right (M) as below shown.



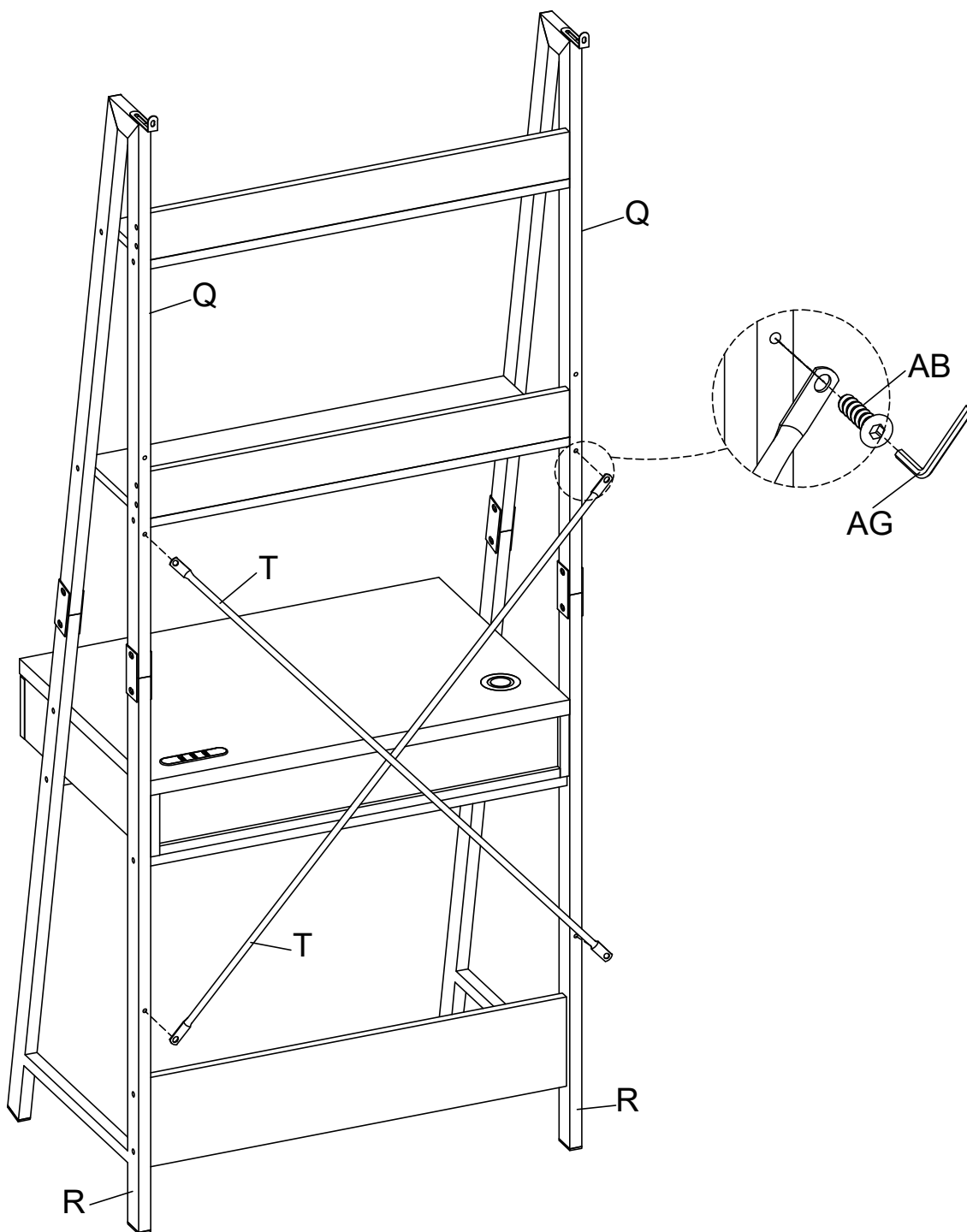
11 Assemble Bolt (V) to Drawer Panel - Front (K), and tighten with Screwdriver (AH) as below shown.



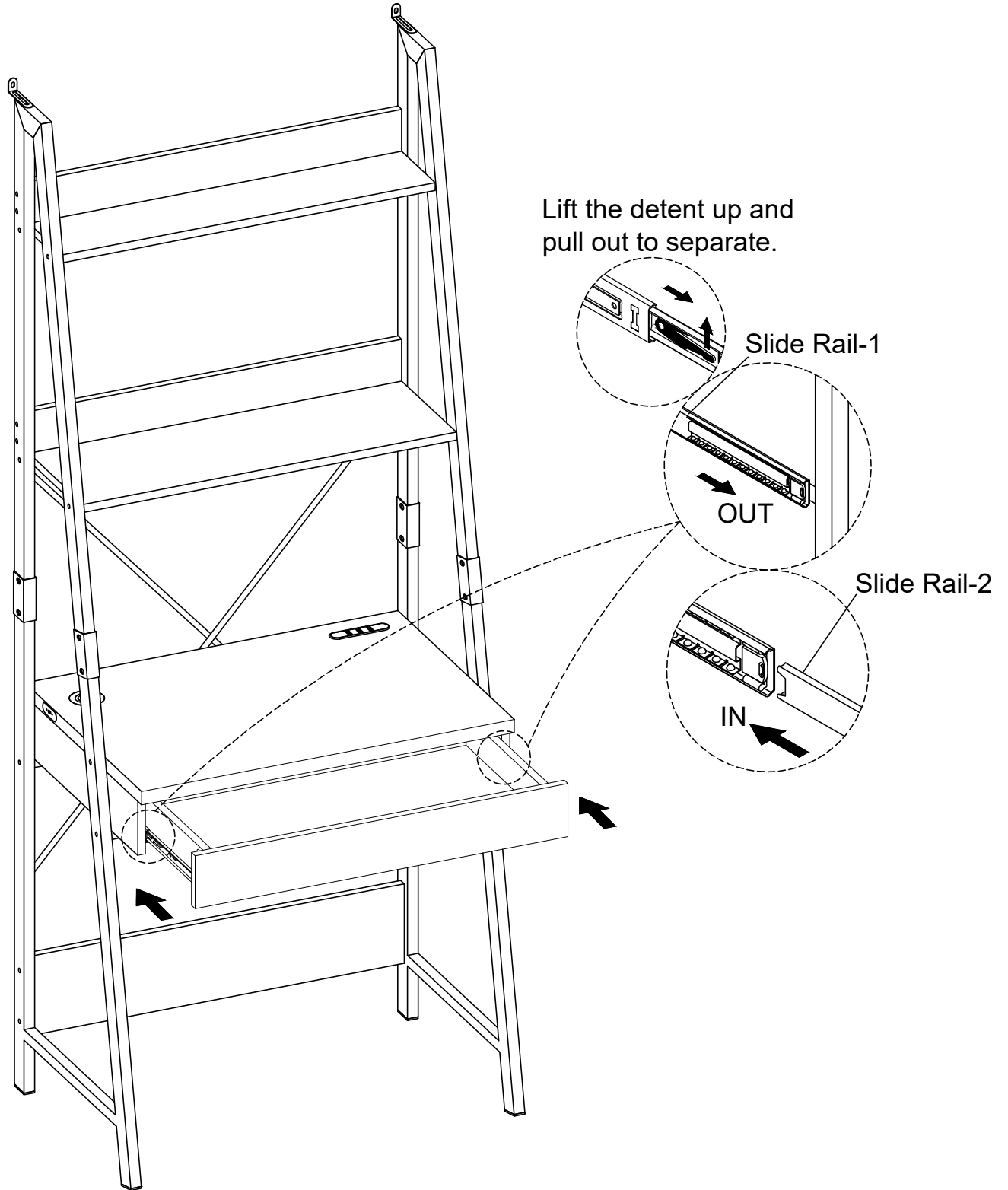
12 Attach Drawer Panel - Front (K) to Drawer Panel - Left (L), Drawer Panel - Right (M), Drawer Panel - Back (N) and Drawer Support Pane (P), using Nut (W) and Screw (AD) by Screwdriver (AH) to lock as below shown.



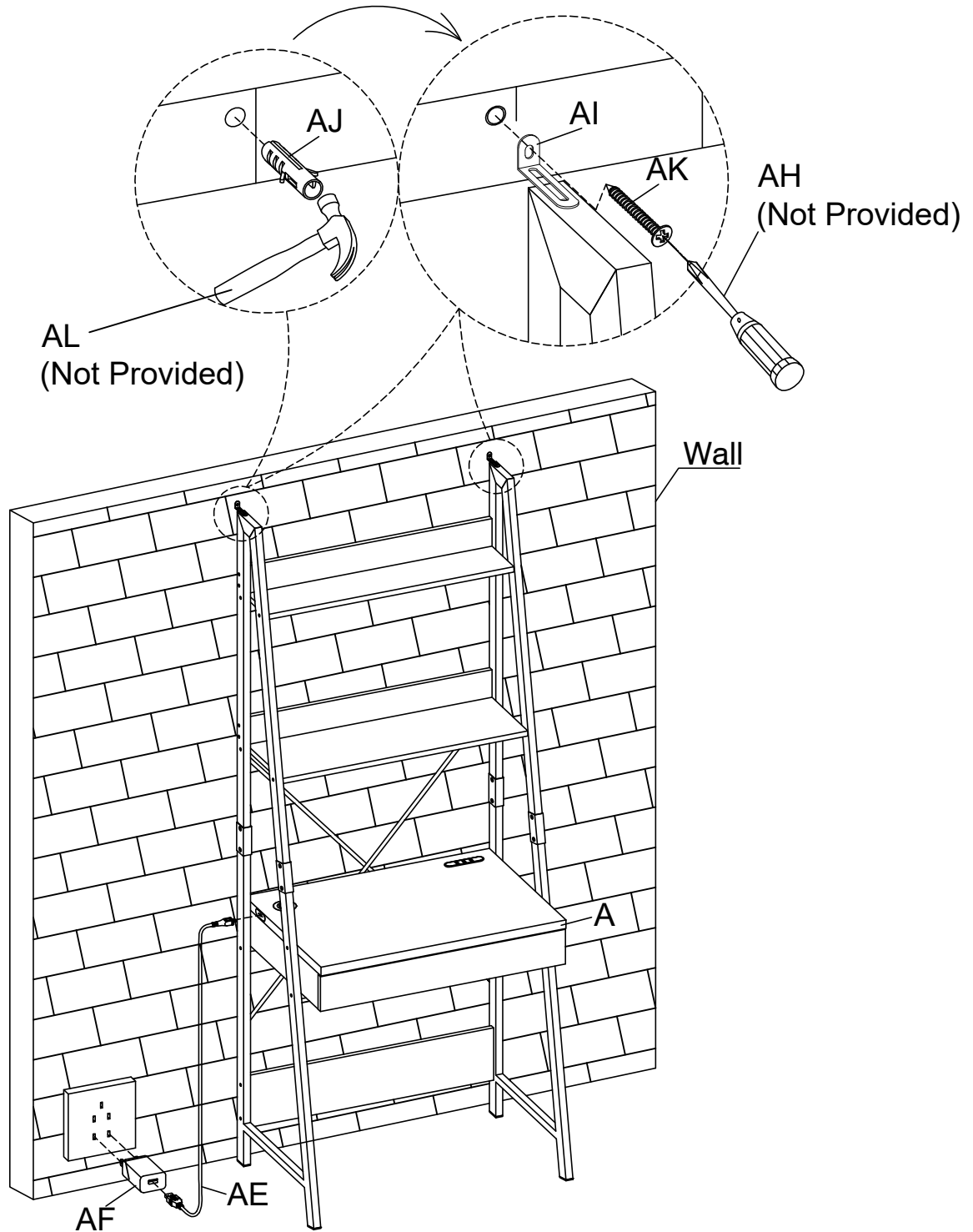
13 Attach Back Support Bar (T) to the back of Side Frame - Upper (Q) and Side Frame (R), using Bolt (AB) by Allen Key (AG) as below shown.



14 Connect the assembled drawer into desk by using Slide Rail. Move slide ball spacers to front. Hold drawer horizontally, and slide runners into ball spacers.

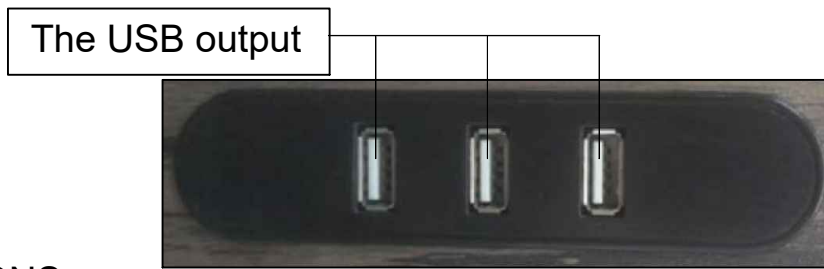


15 Remark: To prevent tip over, the product must be attached to wall.
Insert the Wall Anchor (AJ) to the pre-drilled hole on wall by Hammer (AL), then using Screw (AK) to lock the bookcase through Mounting Plate (AI) into Wall Anchor (AJ) by Screwdriver (AH) as below shown.
Insert one end of Power Cord (AE) to the Left of Desk Top (A), and insert the other end of Power cord (AE) to Plug (AF), then connect the Plug (AF) with electric outlet as below shown.



Cleaning & Care

Treat surface with care. Surface is resistant to scratches but is not scratch resistant. Clean surfaces with a dry or damp soft cloth. Do not use abrasive cleaners. Hardware may loosen over time. Periodically check that all connections are tight.



INSTRUCTIONS:

1. The three USB outputs cannot be used as a USB hub and do not transfer data; It's intended for charging only.
2. To charge your device, plug the USB(not included with this product) to your device and plug other end into available USB port.
3. Do not use a power adapter with a voltage over 5V, otherwise the equipment will be damaged and potentially dangerous.



WIRELESS CHARGER

INSTRUCTIONS:

1. Place Qi-enable device with wireless charging function on the center of the wireless charger with screen facing up to start charging. If the area of the device is too large, please move the device until charging is displayed.
2. Do not place metal objects on the charger and do not use thick phone cases (>3mm depending on model) or phone cases containing metal.
3. When the device is fully charged, remove the device from the wireless charging panel.

TECHNICAL SPECIFICATION:

Adaptor Power (Input)	100-240V~50/60Hz 0.4A
Adaptor Power (Output)	5V= 2A
USB Outputs (Total):	5V= 2.0A(MAX)
Wireless Charging operating Distance	3mm(Max)
Wireless Charging output	5V±0.1V, 500mAh-1000mAh
Wireless Charging power	5W(Max)