


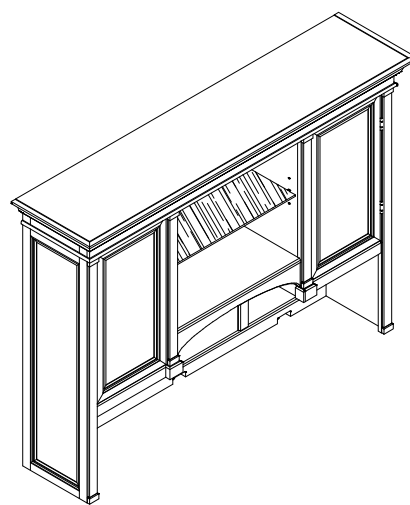
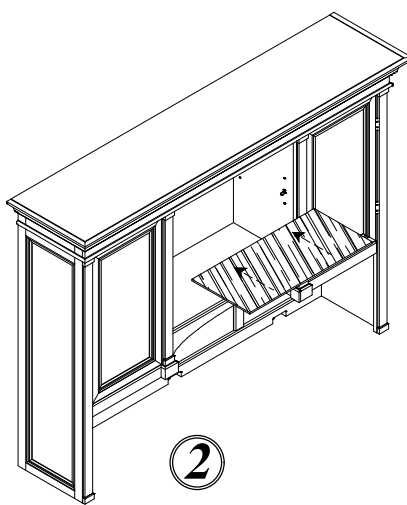
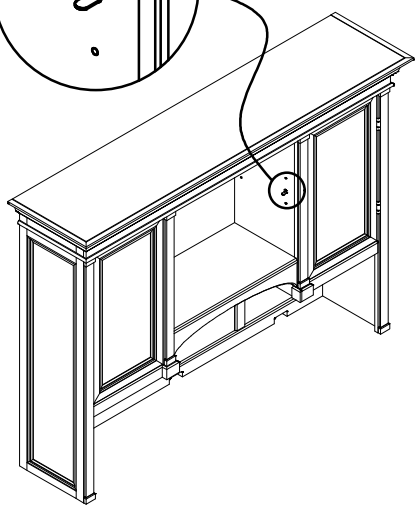
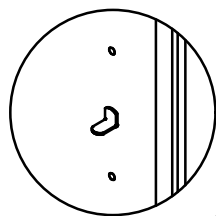
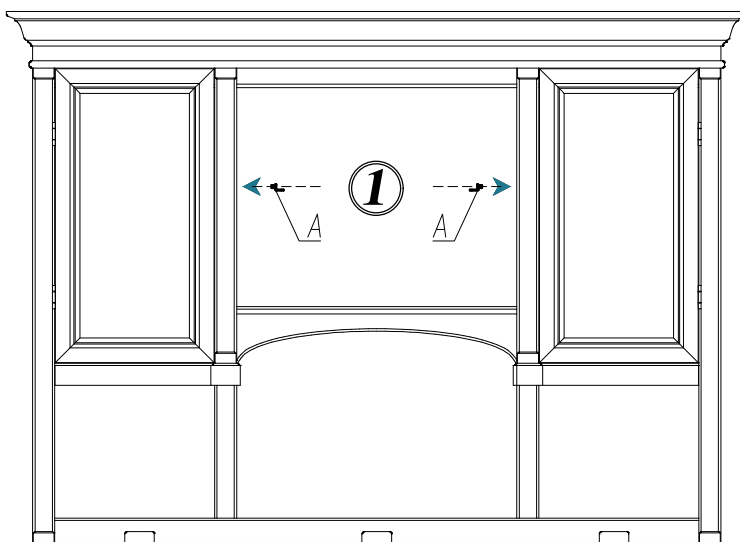
HEKMAN

A HOWARD MILLER COMPANY

ASSEMBLY INSTRUCTIONS

7-9102 DECK

NO.	Hardware List	Q'ty
A	 Glass Shelf Pin	4



1. Open the door on center deck, place 4 pieces shelf pin (A) in the hole on center wall (see step 1)
2. Place the glass shelf after all shelf pin placed.