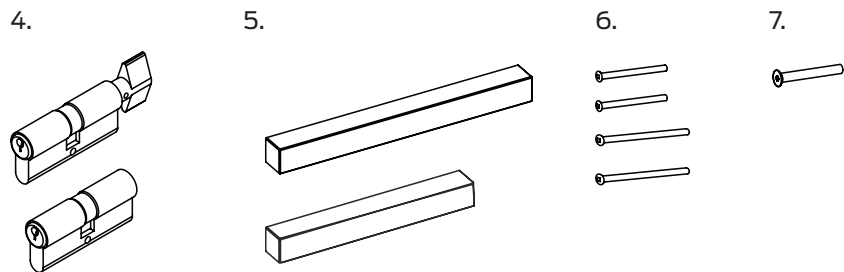
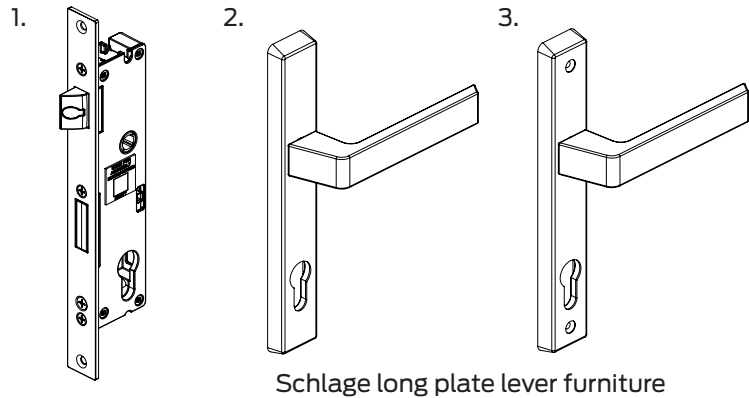




Virtus Two Point Lock Installation Guide

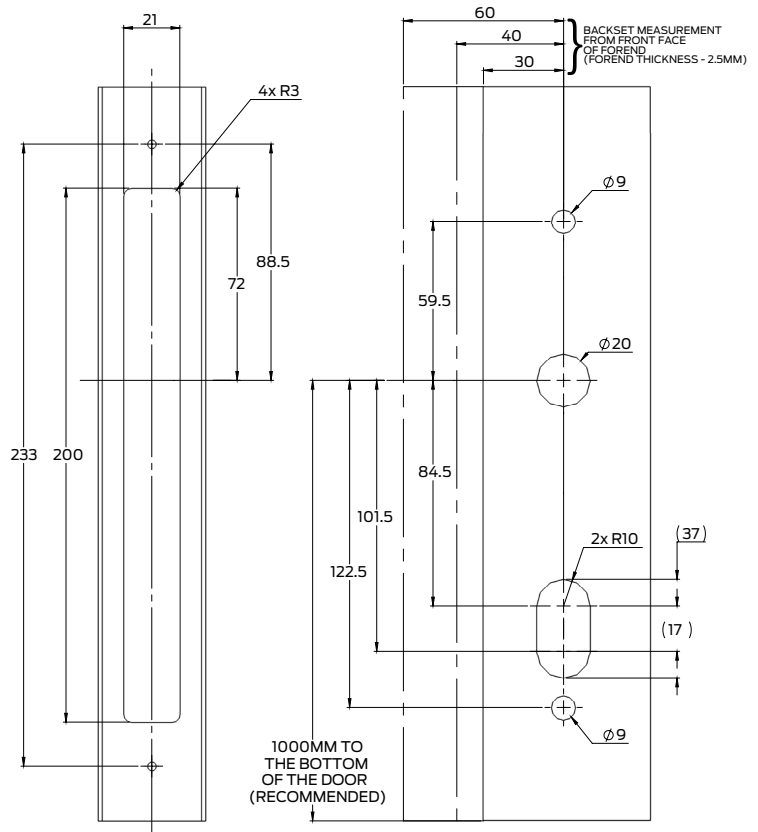
Contents

1. Lock body
2. Long plate external furniture
3. Long plate internal furniture
4. Cylinder (not included, length to suit door thickness)
5. Zinc spindles
6. Furniture fixing screws
7. Cylinder retaining screw



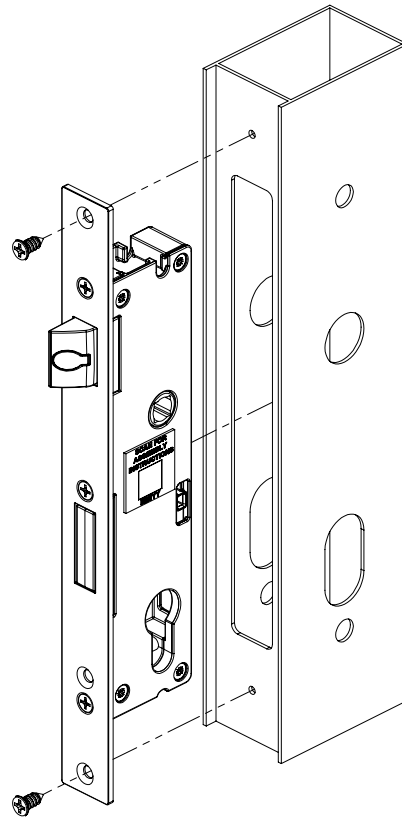
Step 1: Door Preparation

- 1.1 Route the door as per technical dimensions



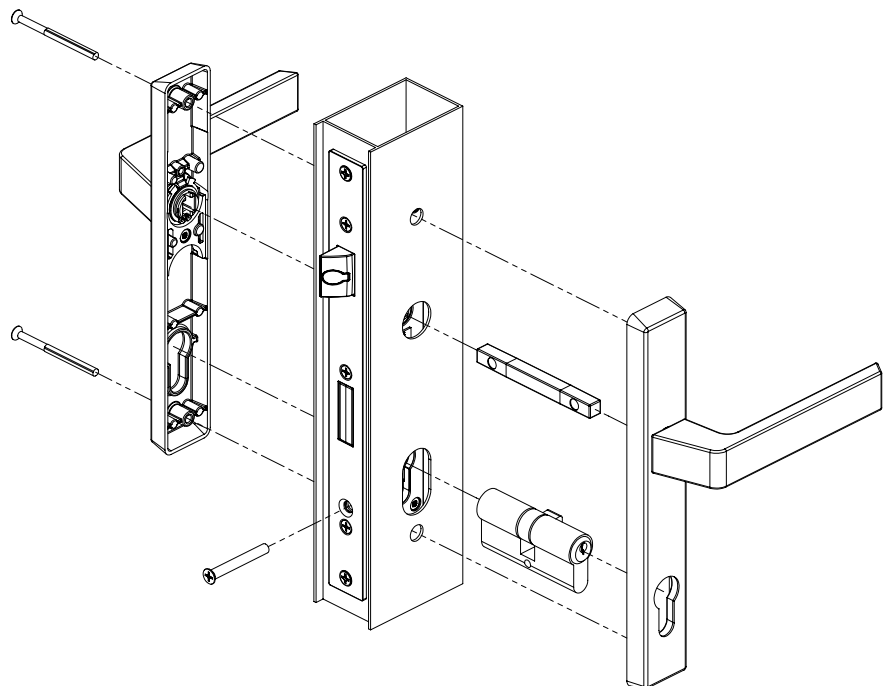
Step 2: Installing the Lock

- 2.1 Insert lock into the stile
- 2.2 Secure with screws (max length 12mm)



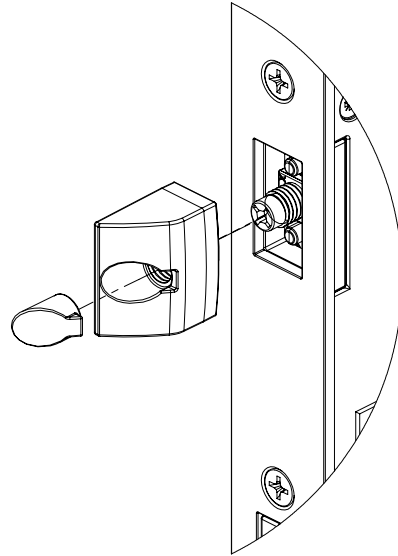
Step 3: Mounting Accessories

- 3.1 Insert the spindle in to the square hub of the lock
- 3.2 Insert the cylinder into the cylinder hole and secure with the cylinder retaining screw
- 3.3 Mount the internal and external hardware onto the spindle and cylinder
- 3.4 Secure furniture with supplied fixing screws



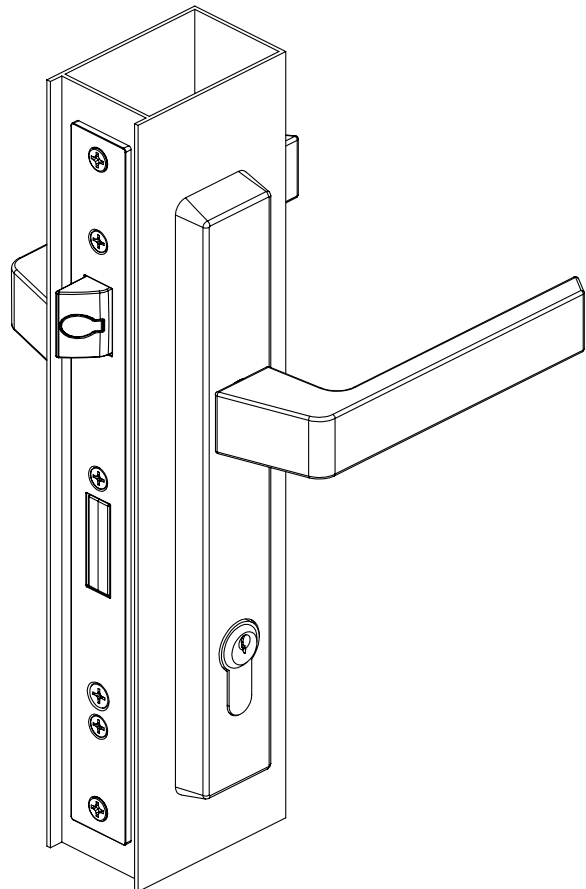
Step 4: Re-handing & Latch Adjustment

- 4.1 Check latch to determine if handing is correct
- 4.2 To re-hand the latch, turn the latch head screw counter-clockwise with a manual screw driver until the latch is proud of the forehand
- 4.3 Rotate the latch head 180 degrees and re-tighten the screw fixing
- 4.4 To increase the latch projection turn the latch screw counter-clockwise
- 4.5 Latch projection can be increased by a maximum of 2mm from original position



Step 5: Lock Operation Check

- 5.1 Close the door firmly.
- 5.2 Operate the cylinder turn or key to extend the deadbolt
- 5.3 Handle will be locked and deadbolt will prevent the door from opening



Note: If cylinder turn knob, key or lever is difficult to turn, lift or depress, inspect the alignment of strike plates.

Allegion Australia

Freephone 1800 098 094
Email info.au@allegion.com
www.allegion.com.au

Allegion New Zealand

Freephone 0800 477 869
Email nzinfo@allegion.com
www.allegion.co.nz

PDSC0040

© 2023 Allegion

