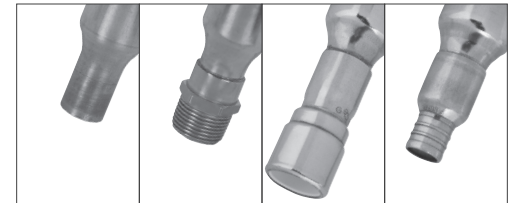
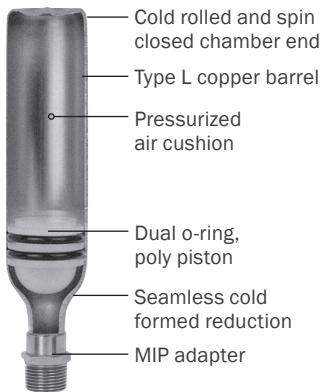


Hydra-Rester™

Commercial Water Hammer Arrester



- Certified by the American Society of Sanitary Engineering to the ANSI/ASSE 1010-2004 Standard
- Lifetime cycle tested at U.S. Testing Laboratories to withstand 10,000 shock cycles. Factory tested to withstand 500,000 cycles without failure (654-C tested)
- Hydra-Rester™ male sweat fittings are compatible with press-fitting systems, such as Viega ProPress™ and all push-fitting systems
- Allows for installation in 2 × 4 wall cavity
- Installs at any angle
- ASSE 1010 certified as a water hammer arrester that is “designed to provide continuous protection, without maintenance” allowing the Hydra-Rester to be installed without access panels



Available in four connection types, including new CPVC socket and PEX F1807.

SPECIFICATIONS †

| | |
|--|------------|
| Maximum Working Temp | 250°F |
| Safe Working Pressure for Pressure Testing | 350 PSIG |
| Burst Tested | 2,900 PSIG |

| Item No | Conn. Size | Unit Size | Dimensions | | Fixture Unit Value | Cubic Inch Volume | NO LEAD | Pkg | Min Qty | Case Qty |
|--------------------------|------------|-----------|------------|-------|--------------------|-------------------|---------|-----|---------|----------|
| | | | Length | Width | | | | | | |
| MIP THREAD | | | | | | | | | | |
| 652-A | ½" | A | 6½" | 1⅜" | 1-11 | 5 | ✓ | B | 1 | 16 |
| 653-B | ¾" | B | 8¾" | 1⅜" | 12-32 | 7 | ✓ | B | 1 | 16 |
| 654-C | 1" | C | 11" | 1⅜" | 33-60 | 11 | ✓ | B | 1 | 16 |
| 655-D | 1" | D | 10⅞" | 2⅛" | 61-113 | 20 | ✓ | B | 1 | 4 |
| 656-E | 1" | E | 12⅝" | 2⅛" | 114-154 | 29 | ✓ | B | 1 | 4 |
| 657-F | 1" | F | 15⅞" | 2⅛" | 155-330 | 36 | ✓ | B | 1 | 4 |
| MALE SWEAT/PRESS FITTING | | | | | | | | | | |
| 652-AS | ½" | A | 8¼" | 1⅜" | 1-11 | 5 | ✓ | B | 1 | 16 |
| 653-BS | ¾" | B | 10" | 1⅜" | 12-32 | 7 | ✓ | B | 1 | 16 |
| 654-CS | 1" | C | 12½" | 1⅜" | 33-60 | 11 | ✓ | B | 1 | 16 |
| 655-DS | 1" | D | 11" | 2⅛" | 61-113 | 20 | ✓ | B | 1 | 4 |
| 656-ES | 1" | E | 13½" | 2⅛" | 114-154 | 29 | ✓ | B | 1 | 4 |
| 657-FS | 1" | F | 16" | 2⅛" | 155-330 | 36 | ✓ | B | 1 | 4 |
| CPVC SOCKET ASTM D2846 † | | | | | | | | | | |
| 652-AC | ½" | A | 7½" | 1⅜" | 1-11 | 5 | ✓ | B | 1 | 16 |
| 653-BC | ¾" | B | 9½" | 1⅜" | 12-32 | 7 | ✓ | B | 1 | 16 |
| 654-CC | 1" | C | 12" | 1⅜" | 33-60 | 11 | ✓ | B | 1 | 16 |
| PEX CRIMP ASTM F1807 † | | | | | | | | | | |
| 652-AX | ½" | A | 6½" | 1⅜" | 1-11 | 5 | ✓ | B | 1 | 16 |
| 653-BX | ¾" | B | 8¾" | 1⅜" | 12-32 | 7 | ✓ | B | 1 | 16 |
| 654-CX | 1" | C | 11" | 1⅜" | 33-60 | 11 | ✓ | B | 1 | 16 |

† NOTE: PEX and CPVC connection specifications are limited to those called out in their respective



SUPPLY

DRAINAGE

SUPPORT

APPENDIX