

Installation Guide

Closet Supplies and Stops

K-7653, K-7654

M product numbers are for Mexico (i.e. K-12345**M**)
Los números de productos seguidos de
M corresponden a México (Ej.
K-12345**M**)
Français, page "Français-1"
Español, página "Español-1"

105225-2-AB

THE BOLD LOOK
OF **KOHLER**®

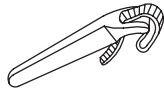
Thank You For Choosing Kohler Company

We appreciate your commitment to Kohler quality. Please take a few minutes to review this manual before you start installation. If you encounter any installation or performance problems please don't hesitate to contact us. Our phone numbers and website are listed on the back cover. Thanks again for choosing Kohler Company.

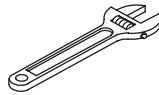
Tools and Materials



Sealant
Tape



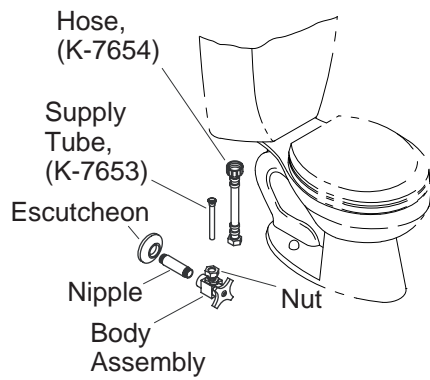
Strap
Wrench



Adjustable
Wrench

Before You Begin

- Observe all local plumbing codes and building codes.
- Kohler Co. reserves the right to make revisions in the design of toilet supplies without notice, as specified within the Price Book.



1. Install The Supply and Stop

- Remove the nipple from the body assembly. Wrap thread sealant tape around the threads on both ends of the nipple.
- Thread one end of the nipple back into the body assembly. Tighten with a clean strap wrench.
- Slip the escutcheon over the other end of the nipple. Thread the body assembly and nipple into the water supply. Make sure the water outlet on the body assembly is facing straight up.
- **For Model K-7653:** Loosen the nut on the body assembly outlet and insert the plain end of the supply tube. Tighten the nut with a wrench.
- **For Model K-7654:** Remove the nut and sleeve from the body assembly. Attach the hose to the body assembly. Tighten with a wrench.
- Connect to the water closet water supply.