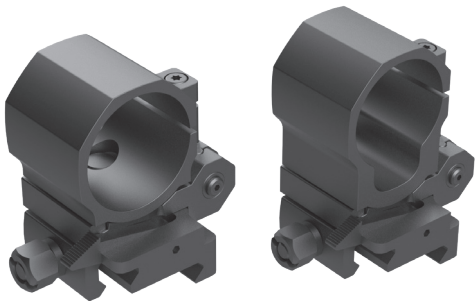


Aimpoint®

FlipMount™ User manual



THE FUTURE IN SIGHT.

1 PRESENTATION

Aimpoint® FlipMount is a quick attach/detach mount that can be flipped in or out of the optical axis. FlipMount is designed primarily for use with Aimpoint magnifiers but can also be used to mount other optical equipment with a 30 mm diameter tube.

1.1 Technical specification

Size (L × W × H)

FlipMount 30 mm	44 mm × 54 mm × 48 mm 1.7 in × 2.1 in × 1.9 in
-----------------	---

FlipMount 39 mm	44 mm × 54 mm × 54 mm 1.7 in × 2.1 in × 2.1 in
-----------------	---

Weight

FlipMount 30 mm	114 g / 4.0 oz
-----------------	----------------

FlipMount 39 mm	129 g / 4.6 oz
-----------------	----------------

Materials

FlipMount	High strength aluminum, anodized, black to dark gray, non-glare finish
-----------	--

1.2 Models

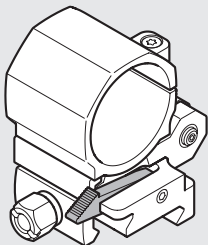


Fig. 1 FlipMount™ for 30 mm optical axis height

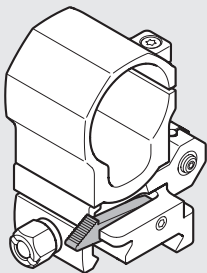


Fig. 2 FlipMount™ for 39 mm optical axis height

1.3 Overview

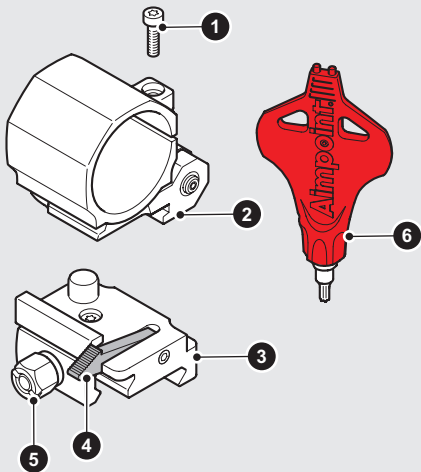


Fig. 3 Overview

1 Screw

2 FlipMount top

3 Base

4 Locking handle

5 Nut

6 Tool

2 OPERATION

WARNING: Ensure the weapon is not loaded and the safety selector is in the "safe" position before attempting to install, remove or perform maintenance.

2.1 Installation

CAUTION: Ensure the groove to be used in the Picatinny rail is clean and free of dirt.

- a Select a groove in the Picatinny rail surface with approximately 30 mm or 1 in distance to the sight to ensure there is enough clearance to prevent interference when operating FlipMount.
- b Position the base onto the rail so the optical accessory is positioned with correct eye relief when in use.
- c Install the recoil stop of the base (3) in the groove of the rail, push the base (3) forward (toward muzzle) and hand-tighten the nut (5)
- d Tighten the nut (5) additionally 1/8 to 1/4 turn using an appropriate tool.

CAUTION: Do not overtighten the nut.

- e Remove the screw (1) using the tool (6) and install the optical accessory. Align the optical accessory according to the manufacturer's instruction before tightening the screw (1) with the tool (6).

2.2 Remove and attach FlipMount™ top from the base

See Fig. 4.

- a Press and hold down the locking handle (4).
- b Grab and turn FlipMount top (2) 45° counterclockwise (seen from the top).
- c Lift FlipMount top (2) upwards to remove it from the base (3).

Attach FlipMount top (2) in the reversed order.

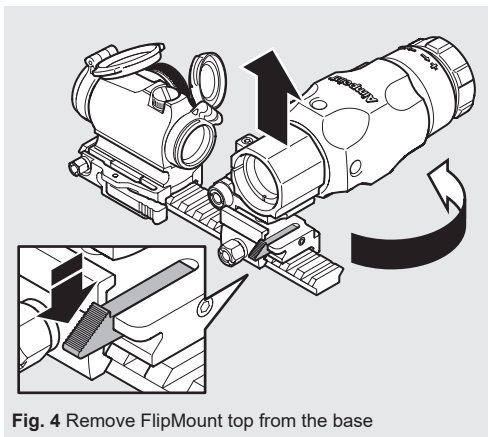


Fig. 4 Remove FlipMount top from the base

2.3 Move FlipMount™ top out of the optical axis and back again

FlipMount top (2) can be moved out of the optical axis while remaining securely attached.

- Move FlipMount top (2) out of the optical axis of the sight by pushing it away from the optical axis of the sight until it snaps into place (see Fig. 5).

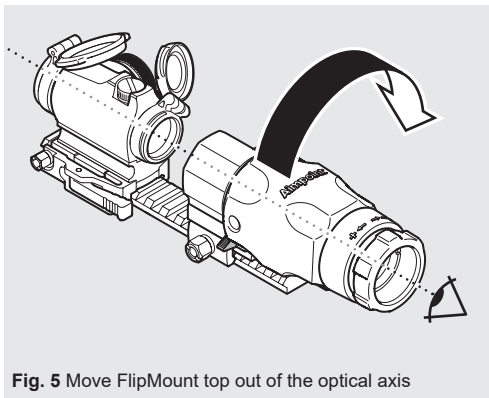
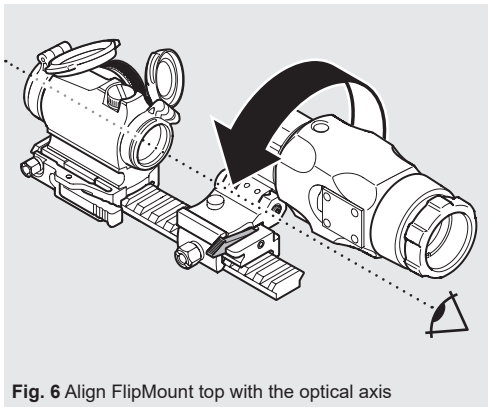


Fig. 5 Move FlipMount top out of the optical axis

- Align FlipMount top with the optical axis of the sight by pushing it towards the optical axis of the sight until it snaps into place (see Fig. 6).



3 MAINTENANCE

Keep FlipMount clean and avoid getting large particles stuck where surfaces are in close contact with each other.

Remove FlipMount top (2) from the base (3) (see 2.2) and put a small amount of weapon oil on surfaces highlighted in Fig. 7 when performing preventive maintenance on the weapon.

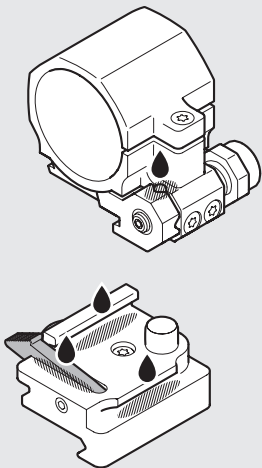


Fig. 7 Apply a small amount of weapon oil to surfaces

Aimpoint AB

Jägershillgatan 15
SE- 213 75 Malmö, Sweden
Phone: +46 (0)40 671 50 20
Fax: +46 (0)40 21 92 38
e-mail: info@aimpoint.se

Aimpoint Inc.

7309 Gateway Court
Manassas, VA 20109, USA
Phone: +1 703-263-9795
Fax: +1 703-263-9463
e-mail: info@aimpoint.com

WWW.AIMPOINT.COM

© 2016, 2018 Aimpoint AB. [14529-3]

