

Cimarron® | K-3887

Two-piece round-front toilet, 1.28 gpf

Features

- Two-piece design
- Round-front bowl offers an ideal solution for smaller bathrooms and powder rooms
- Comfort Height® feature offers chair-height seating that makes sitting down and standing up easier for most adults
- 1.28 gpf (4.8 lpf)
- 2-1/8" (54 mm) fully glazed trapway
- Left-hand Polished Chrome trip lever
- Combination consists of toilet bowl and tank
- Coordinates with other products in the Cimarron collection
- Easy-to-flush canister design requires less force to actuate than a 3" (76 mm) flapper, and has 90% less exposed seal material which resists conditions that cause wear, tear, shrinkage and swelling
- AquaPiston® canister optimizes the flow out of the tank, harnessing gravity and the natural, powerful reducing cascade of water to increase the power and effectiveness of the flush
- AquaPiston® canister optimizes the flow out of the tank, harnessing gravity and the natural, powerful reducing cascade of water to increase the power and effectiveness of the flush
- Eligible for consumer rebates in some municipalities



Codes/Standards

ADA, OBC, CSA B651 compliant when installed to the specific requirements of these regulations.
Accessibility standards may require controls to be located on the open side of the toilet.
Plumbing codes may require elongated toilets and elongated, open-front seats in public bathrooms.



ASME A112.19.2/CSA B45.1
DOE - Energy Policy Act 1992
EPA WaterSense®
California Energy Commission (CEC)
ADA
ICC/ANSI A117.1
CSA B651
OBC

Recommended Products/Accessories

- 1023457 Toilet Wax Ring And Hardware Kit
- 1265114 12" Toilet Supply Line
- K-23726 Drain treatment
- K-9466-L Left-hand trip lever
- K-5589 Deodorizing round-front toilet seat
- K-76923 Quiet-Close™ round-front manual bidet toilet seat
- K-5420 Low-profile toilet bolt caps

Warranty

See website for detailed warranty information.

KOHLER® Toilets and Seats Limited Warranty

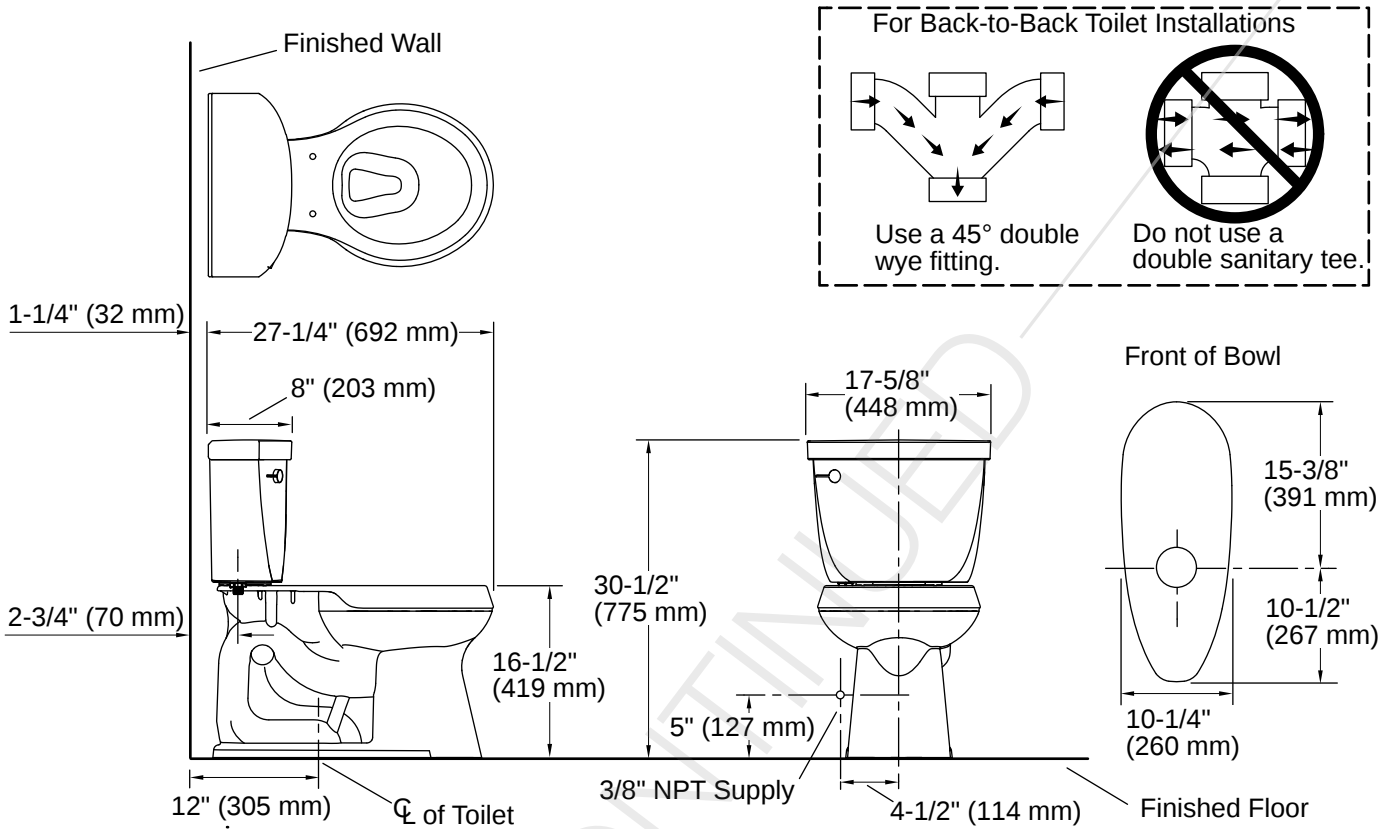
Technical Information

Rough-in:	Standard 12" (305mm)
Flush Type:	AquaPiston
Flush Rate:	1.28 gpf (4.8 lpf)
Bowl Shape:	Round-front
Seat-Mounting Holes:	5-1/2" (140 mm)
Waste Outlet:	Floor
Trapway Size:	2-1/8" (54 mm)
Trapway Type:	Exposed
Water Surface Size:	11" x 9-1/4" (279 mm x 235 mm)
Rim to Water Surface:	5-1/4" (133 mm)

Included Combo Skus

- K-4347 Round-front toilet bowl
- K-4166 Toilet tank, 1.28 gpf





Installation

- Standard 12" (305 mm) rough-in
- DryLock™ system saves installation time and helps prevent water leakage
- Seat and supply line sold separately

Installation Notes

Install this product according to the installation instructions.

For back-to-back toilet installations: Use only a 45° double wye fitting.

The Model Plumbing Codes require elongated toilets for public bathrooms.

ADA, OBC, CSA B651 compliant when installed to the specific requirements of these regulations.

Plumbing codes may require elongated toilets and elongated, open-front seats in public bathrooms.

Accessibility standards may require controls to be located on the open side of the toilet.

